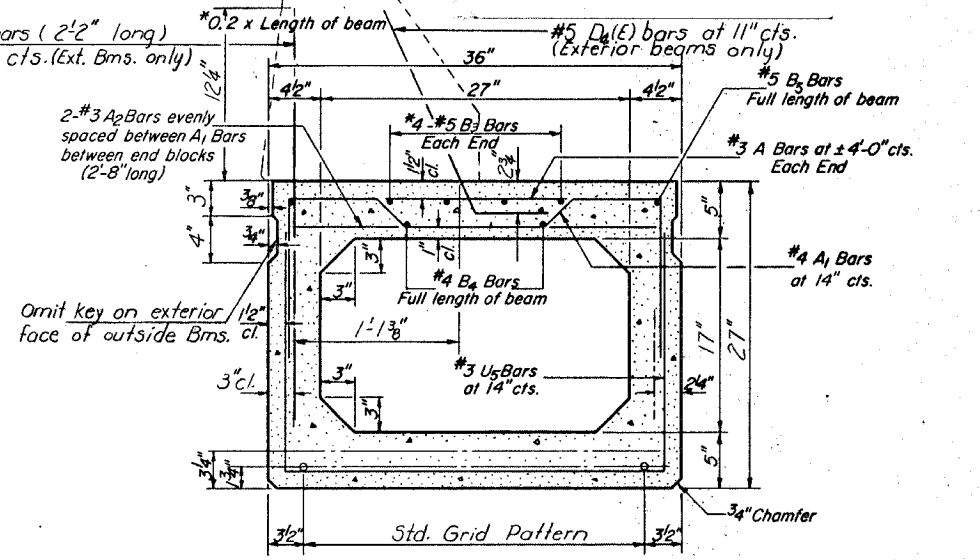
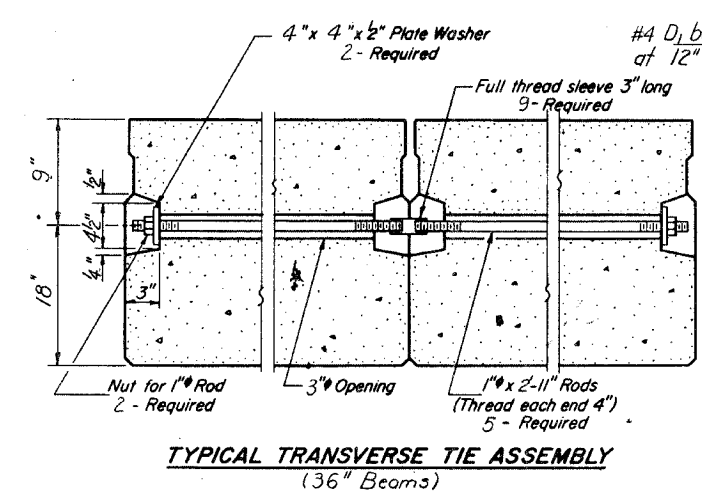
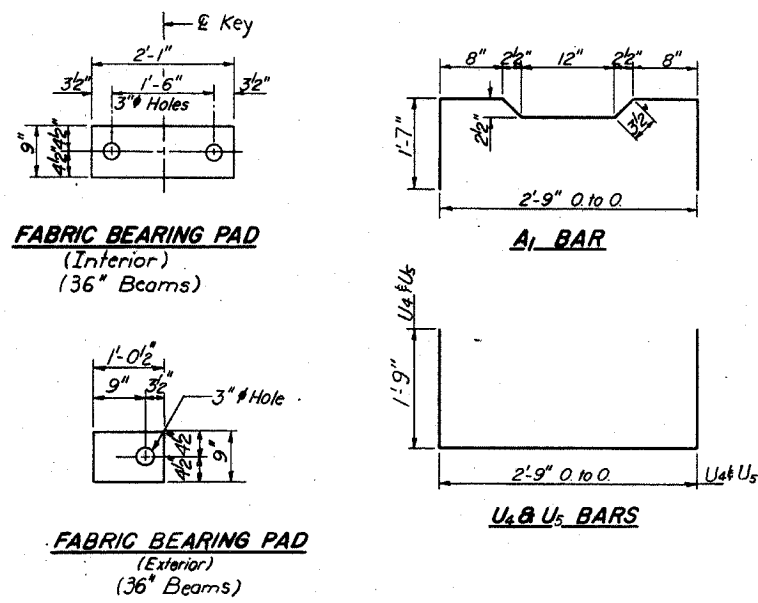


STATE OF ILLINOIS  
DEPARTMENT OF TRANSPORTATION

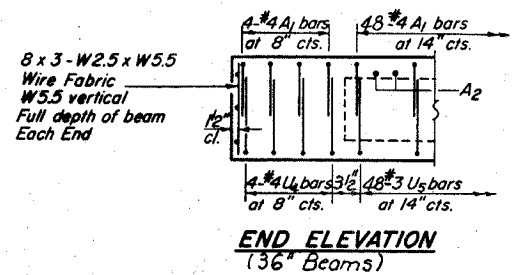
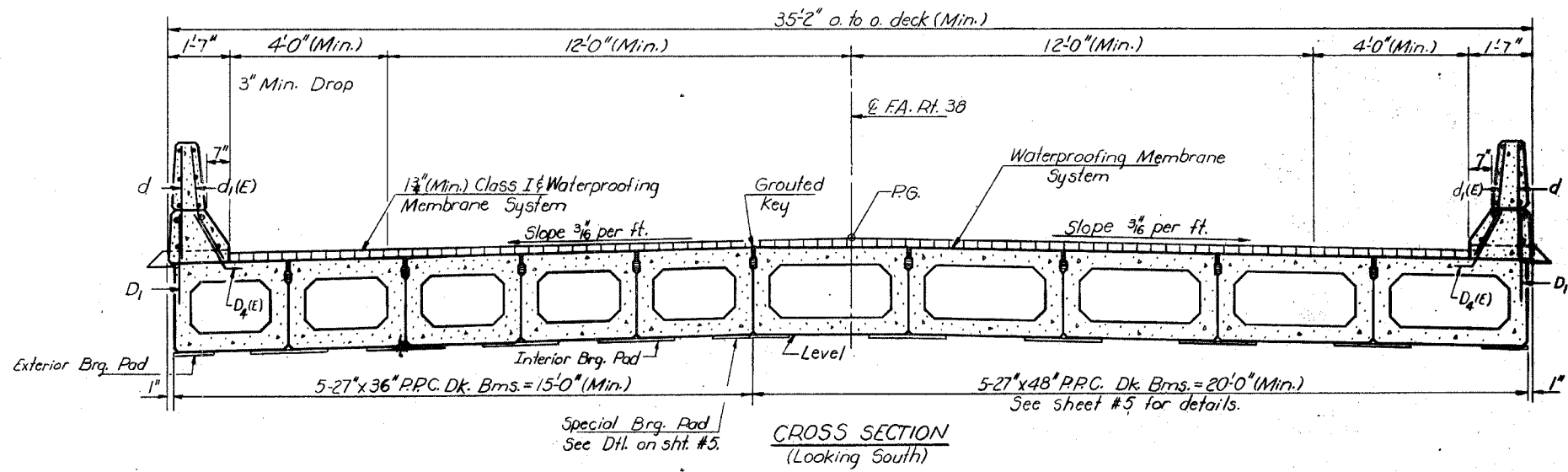
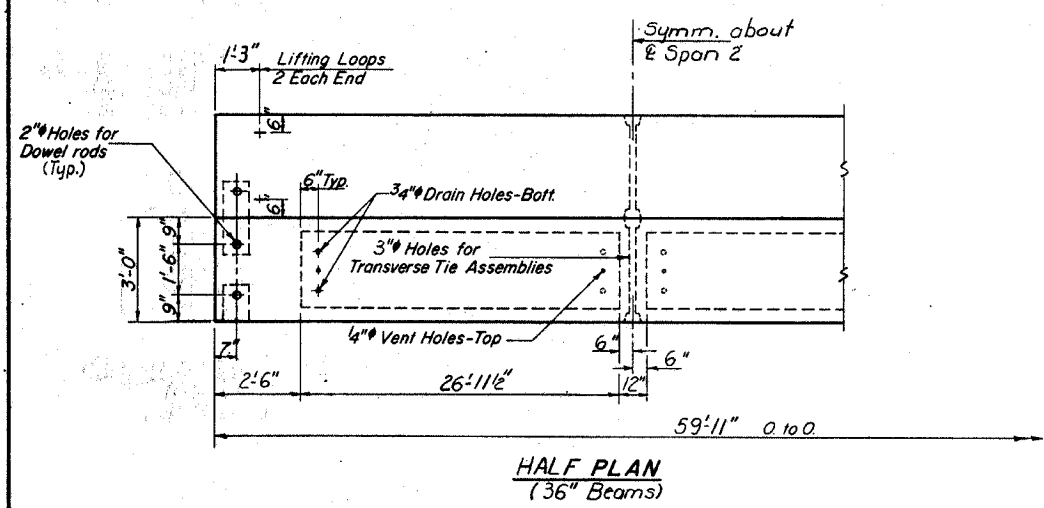
FOR INFORMATIONAL  
PURPOSES ONLY

PROJECT NO.	SHEET NO.	COUNTY	TOTAL SHEETS
316	4	LEE	13

SHEET NO. 4  
13 SHEETS



13 - 1/2" Strands Each Strand Stressed to 28,900 Lbs.  
9 - Strands 3/4" up, 4 - Strands 3/4" up,



DESIGNED *M. Ryan*  
CHECKED *M. Ryan*  
DRAWN *R. Doty*  
CHECKED *MR*

EXAMINED *[Signature]*  
PASSED  
APPROVED  
DIRECTOR OF HIGHWAYS

FEB 24 1981

PD-5-S 8-1-78

**NOTES**

Prestressing steel shall be non-galvanized high strength, stress-relieved 7-wire strand, Grade 270. The nominal diameter shall be 1/2" and the nominal cross-sectional area shall be 0.153 sq. in. Lifting loops shall be 1/2" diameter, 6 x 25 class wire rope with fiber core and shall have a minimum ultimate tensile strength of 21,000 lbs. or 2-1/2" - 270 ksi strands shown on sht. #2. The 1" rods in the transverse tie assembly shall be tightened to a snug fit and the threads set. Pockets that receive transverse tie bar on outside shall be filled with grout after transverse tie assembly is in place. The bearing seat surfaces shall be adjusted by shimming to assure firm and even bearing. Two 1/8" fabric adjusting shims of the dimensions of the Exterior Bearing Pad shall be provided for each bearing. Reinforcement bars shall conform to AASHTO: M-31 or M-53, Grade 60. For Sec. Thru Parapet see sheet #5. Parapet reinforcement and Class X Concrete are billed on sheet #8. For Drain Detail see sheet #3.

**BILL OF MATERIAL**

Item	Unit	Total
* Precast Prestressed Concrete Deck Beams (27" Depth)	Sq. Ft.	899

\* For 36" Beams.  
See sheet #5 for Bill of Material for 48" bms.

SUPERSTRUCTURE  
SPAN 2  
F.A. RT. 38 SEC. 102 BR-1  
LEE COUNTY  
STA. 598+65.00