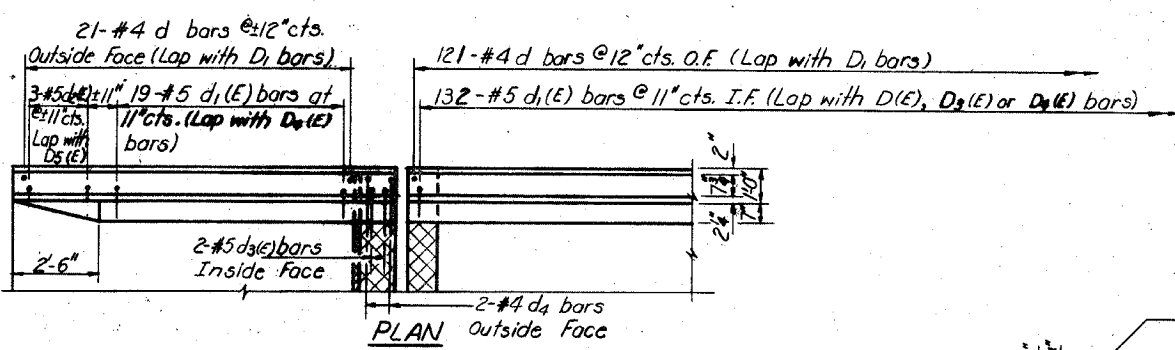
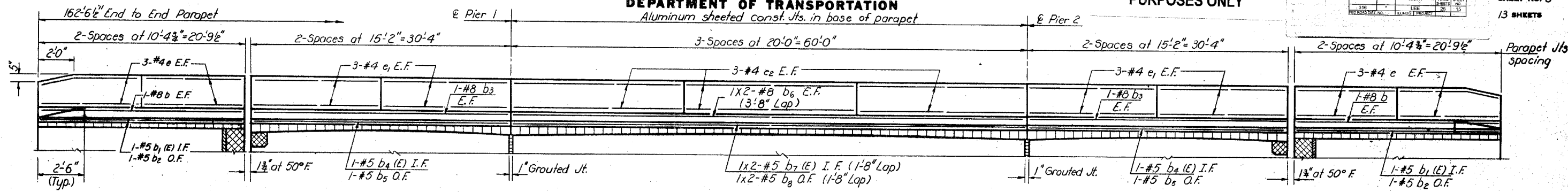


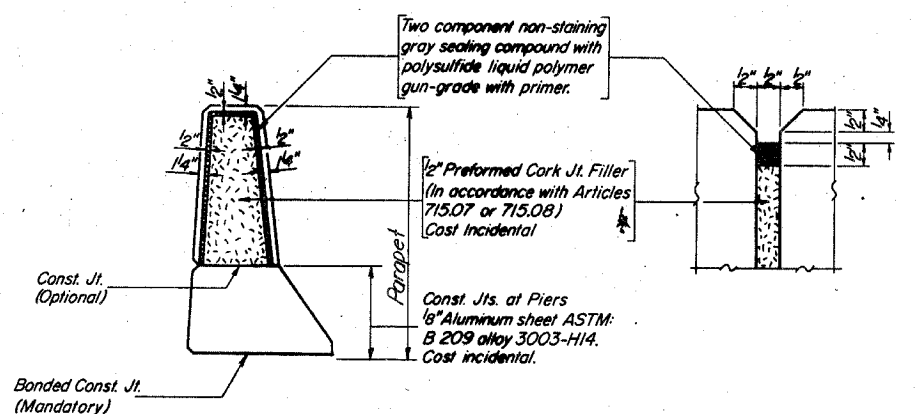
STATE OF ILLINOIS
DEPARTMENT OF TRANSPORTATION
Aluminum sheeted const. jts. in base of parapet

FOR INFORMATIONAL
PURPOSES ONLY

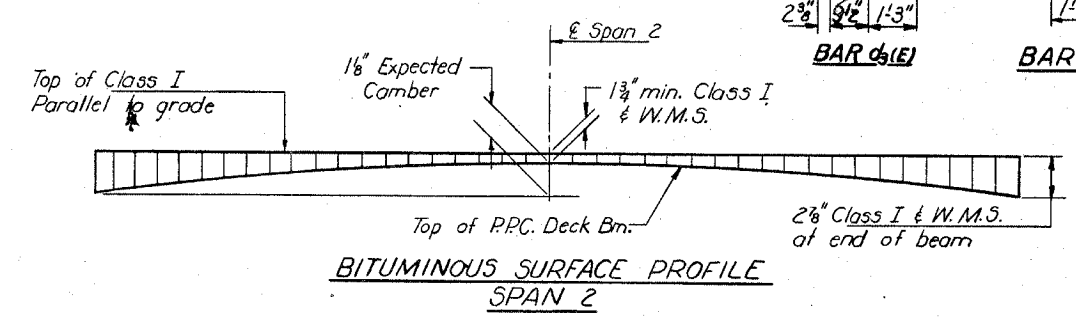
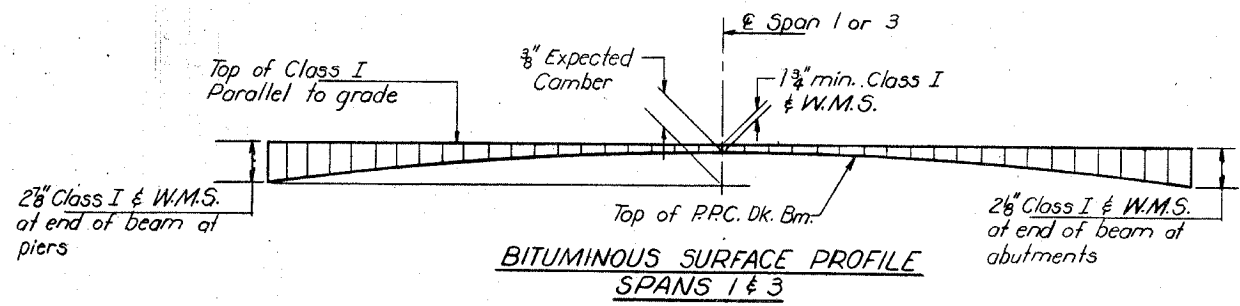
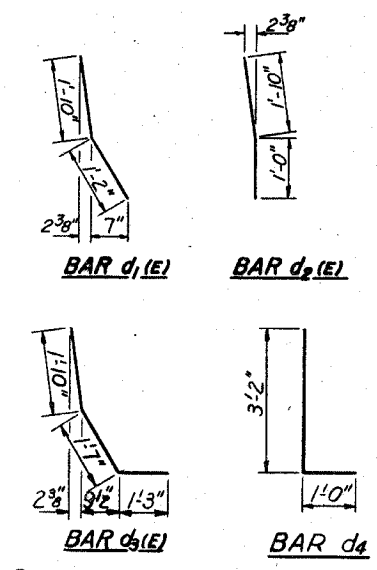
SHEET NO. 8
13 SHEETS



INSIDE ELEVATION OF PARAPET



PARAPET JOINT DETAILS



SUPERSTRUCTURE
BILL OF MATERIAL

Bar	No.	Size	Length	Shape
a	6	#5	35'-2"	
b	8	#8	20'-6"	
b1(E)	4	#5	20'-6"	
b2	4	#5	20'-6"	
b3	8	#8	30'-1"	
b4(E)	4	#5	30'-1"	
b5	4	#5	30'-1"	
b6	8	#8	31'-9"	
b7(E)	4	#5	30'-9"	
b8	4	#5	30'-9"	
d	326	#4	2'-8"	
d1(E)	340	#5	3'-0"	
d2(E)	12	#5	2'-10"	
d3(E)	8	#5	4'-8"	
d4	8	#4	4'-2"	
e	48	#4	10'-2"	
e1	48	#4	14'-11"	
e2	36	#4	19'-9"	
Reinforcement Bars		Lbs.	4200	
Reinforcement Bars (Epoxy Coated)		Lbs.	1480	
Class X Concrete		Cu. Yds.	40.8	

Reinforcement bars designated (E) shall be epoxy coated. See Special Provisions.

DESIGNED *Jerman Roman*
CHECKED *M. Ryan*
DRAWN *R. Doty*
CHECKED *MR*

EXAMINED *[Signature]* FEB 24 1981
PASSED
APPROVED *[Signature]*
DIRECTOR OF HIGHWAYS

PARAPET DETAILS
FA. RT. 38 SEC. 102 BR-1
LEE COUNTY
STA. 598+65.00