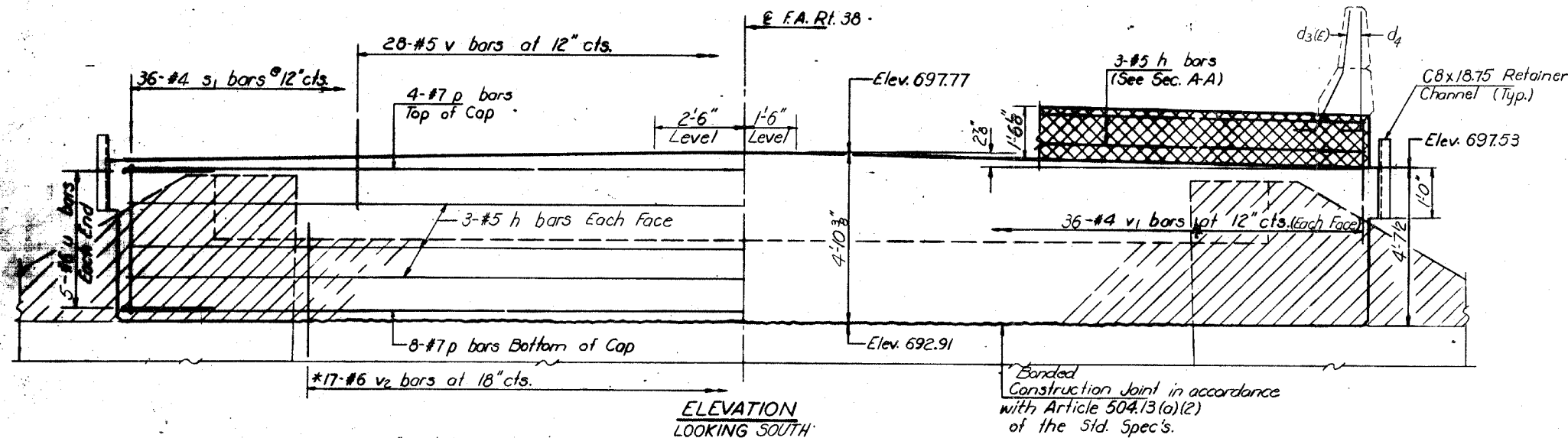


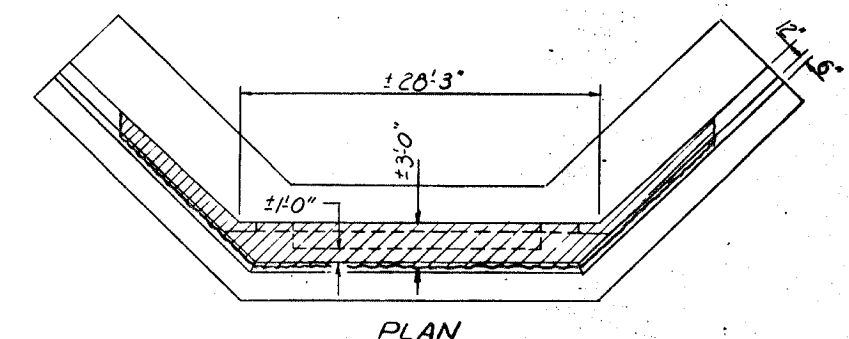
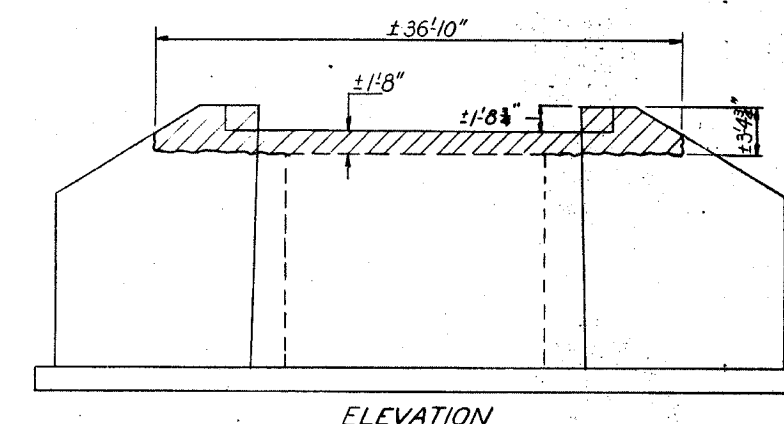
STATE OF ILLINOIS  
DEPARTMENT OF TRANSPORTATION

FOR INFORMATIONAL  
PURPOSES ONLY

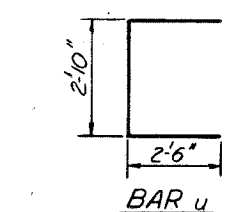
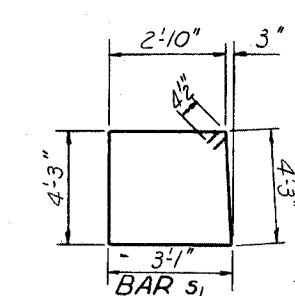
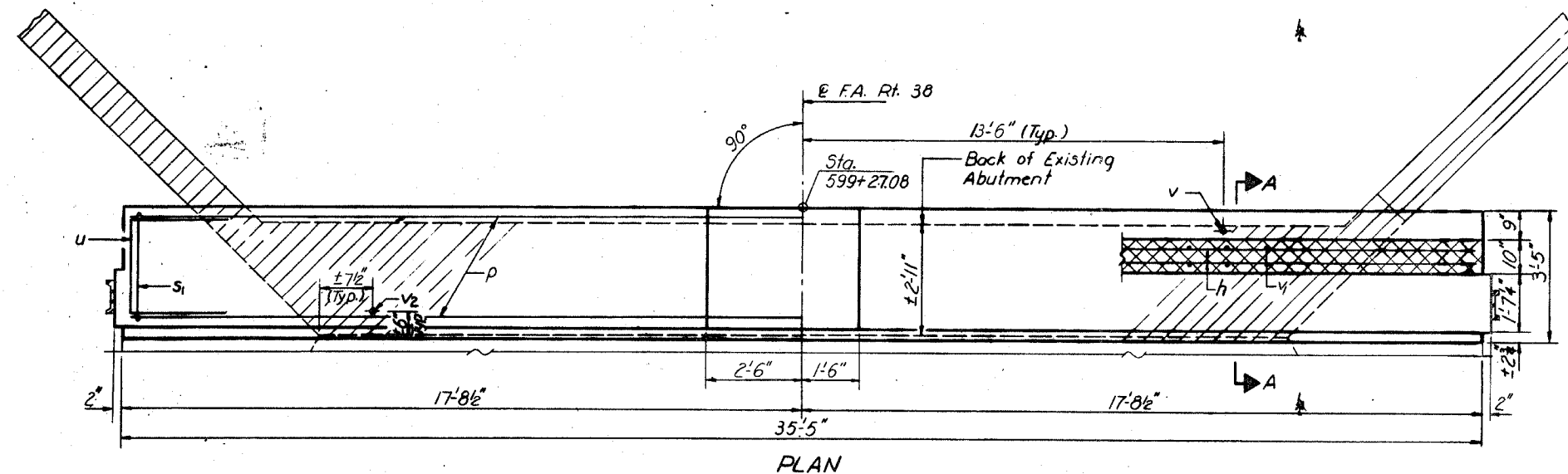
ROUTE NO.	SEC.	COUNTY	TOTAL SHEET
318	1	LEE	28
PROJECT NO.			13



\*Drill 1" x 1'-0" hole. Fill half full with epoxy before placement of v2 bars. See Special Provisions for Epoxy Grout.



CONCRETE REMOVAL DETAILS



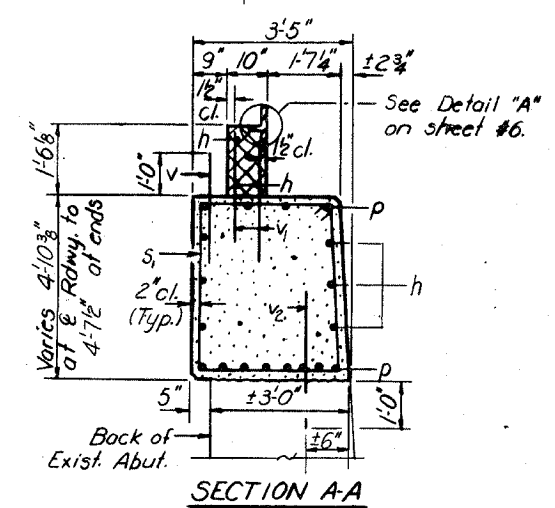
**BILL OF MATERIAL**

Bar	No	Size	Length	Notes
h	9	#5	35'-2"	
p	12	#7	35'-2"	
s1	36	#4	15'-2"	
u	10	#6	7'-10"	
v	23	#5	2'-6"	
v1	72	#4	2'-6"	
v2	17	#6	2'-6"	
Concrete Removal				Cu. Yd. 9
Class X Concrete				Cu. Yd. 20.6
Reinforcement Bars				Pounds 1930

**NOTES:**  
Hatched area indicates Concrete Removal. Reinforcement extending into removed area shall be cleaned and incorporated into the new construction.  
Cross hatched area shall be poured after beams are in place. Quantity of Class X Concrete included with superstructure on sheet #8.  
Reinforcement bars for parapet are billed and detailed on sheet #8.  
All edges shall have standard 3/8" chamfers except as noted. See sheet #6 for detail of Retainer Channel.

DESIGNED: *[Signature]*  
CHECKED: *M. Ryan*  
DRAWN: *R. Doty*  
CHECKED: *MR*

EXAMINED: *[Signature]*  
PASSED: \_\_\_\_\_  
APPROVED: \_\_\_\_\_



**SOUTH ABUTMENT**  
F.A. RT. 38 SEC. 102 BR-1  
LEE COUNTY  
STA. 598+6500