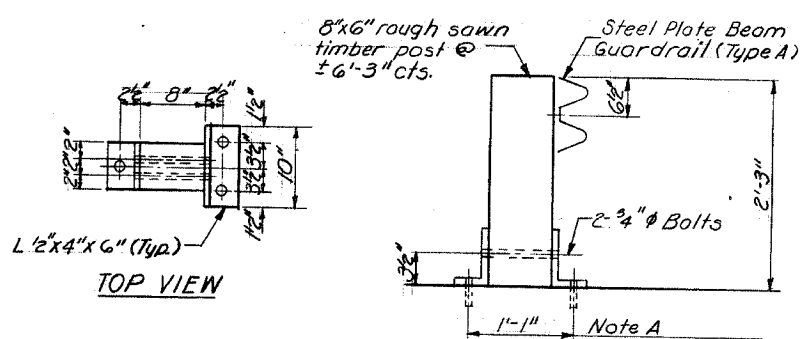


ALL SUPERSTRUCTURE VIEWS LOOKING NORTH

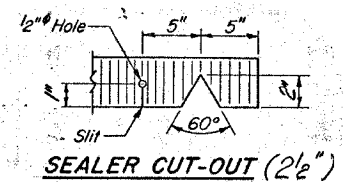
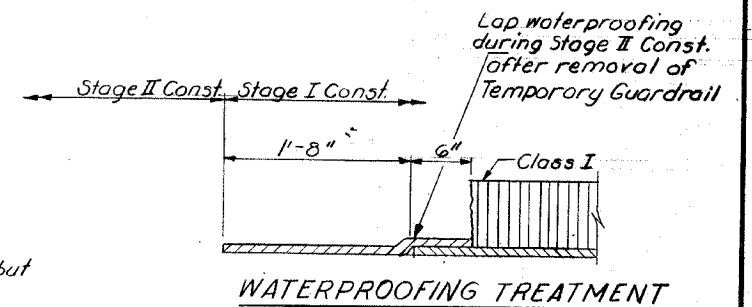
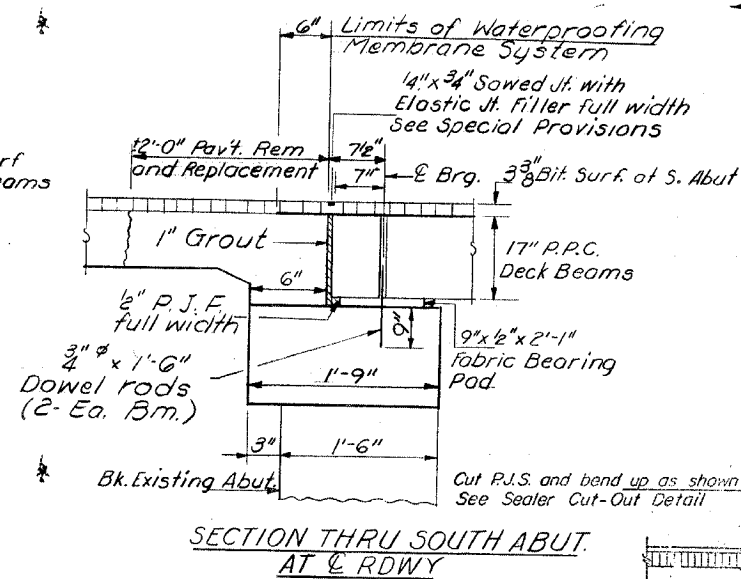
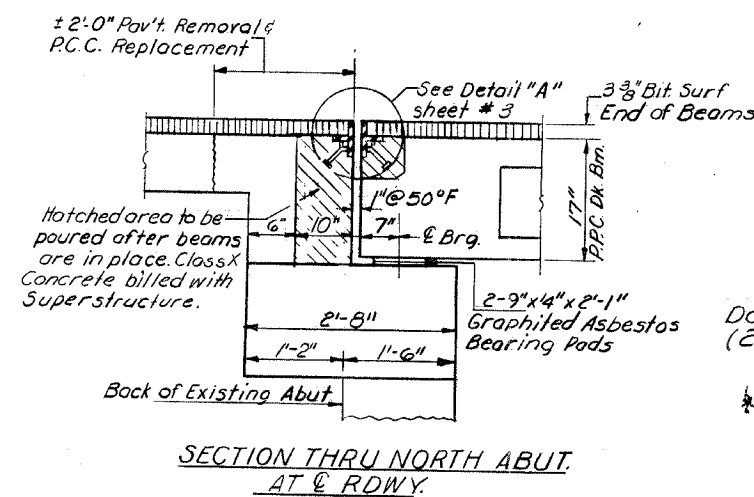


Note A: Temporary Guardrail Anchors
Stage I: 3-3/4" Self-drilling expansion bolts in existing deck
Stage II: 3-3/4" x 6" bolts cast in deck beam. Burn flush after guardrail removal.

TEMPORARY GUARDRAIL DETAIL
See Special Provisions

DESIGNED	J. M. Pate
CHECKED	J. B. Nelson
DRAWN	Bev Robinson
CHECKED	J. B. N.

EXAMINED
PASSED
APPROVED
Nov. 24 1971
Richard H. Meeterman



STAGE CONSTRUCTION & SUPERSTRUCTURE DETAILS
SBI. RT. 89 SEC. 102-BR
LEE COUNTY
STA. 489 +50

END OF SEALER TREATMENT