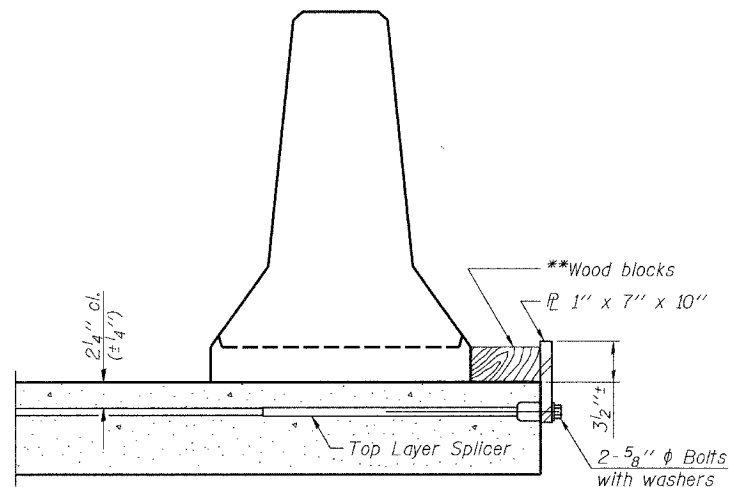


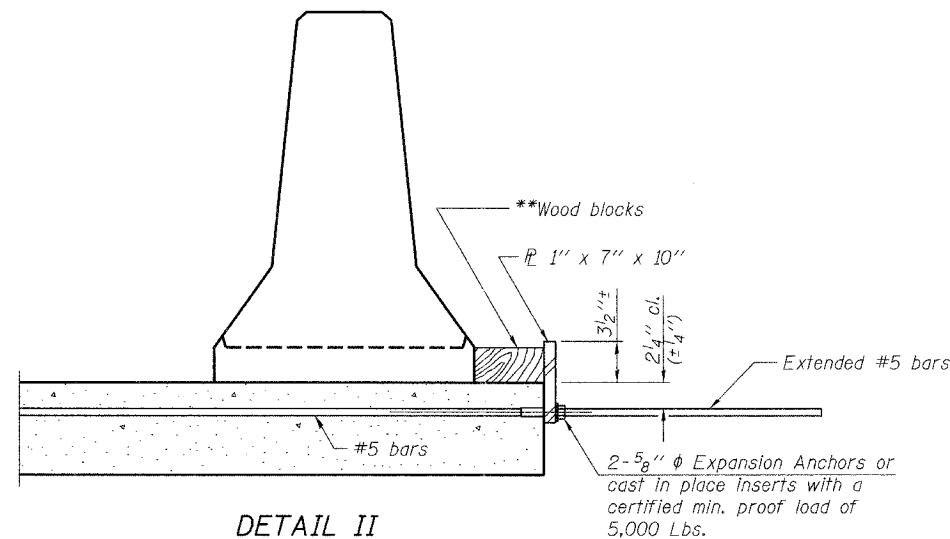
When "A" is 3'-6" or less, the temporary concrete barrier shall be anchored to the new slab according to Detail I or Detail II. No anchorage is required when "A" is greater than 3'-6".

Drill 1/4"  $\phi$  Holes in existing slab for 1"  $\phi$  x 11" dowel bars. Traffic side only. Cost included with Temporary Concrete Barrier.

**SECTIONS THRU SLAB**



**DETAIL I**

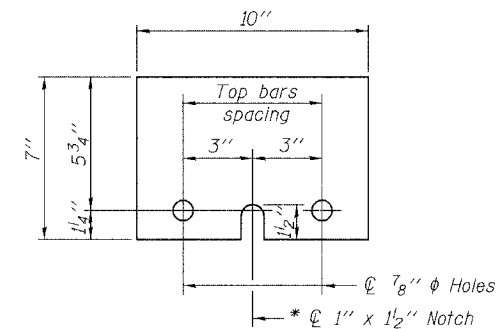


**DETAIL II**

\*\* Wood blocks may be omitted when required to provide minimum stage traffic lane width. When the wood blocks are omitted, the concrete barrier shall be in direct contact with the steel retainer plate.

**NOTES**

- Detail I - With Bar Splicer or Couplers: Connect one (1) 1"x7"x10" steel  $\bar{P}$  to the top layer of couplers with 2-5/8"  $\phi$  bolts screwed to coupler at approximate  $\bar{C}$  of each barrier panel.
  - Detail II - With Extended Reinforcement Bars: Connect one (1) 1"x7"x10" steel  $\bar{P}$  to the concrete slab with 2-5/8"  $\phi$  Expansion Anchors or cast in place inserts spaced between the top layer of reinforcement at approximate  $\bar{C}$  of each barrier panel.
- Cost of anchorage is included with Temporary Concrete Barrier. The 1" x 7" x 10" plate shall not be removed until stage II construction forms and all reinforcement bars are in place and the concrete is ready to be placed.



**STEEL RETAINER  $\bar{P}$  1" x 7" x 10"**  
\* Required only with Detail II

DESIGNED	BAN
CHECKED	JOH
DRAWN	TC
CHECKED	BAN

**TEMPORARY CONCRETE BARRIER  
FOR STAGE CONSTRUCTION  
F.A.P. 22 (ILL 78) OVER  
COAL CREEK  
SECTION (125BR-2)D  
HENRY COUNTY  
STATION 680+94.38  
STR. NO. 037-0130**

HUTCHISON ENGINEERING, INC.  
JACKSONVILLE, ILLINOIS

Rev: \_\_\_\_\_ Date: \_\_\_\_\_