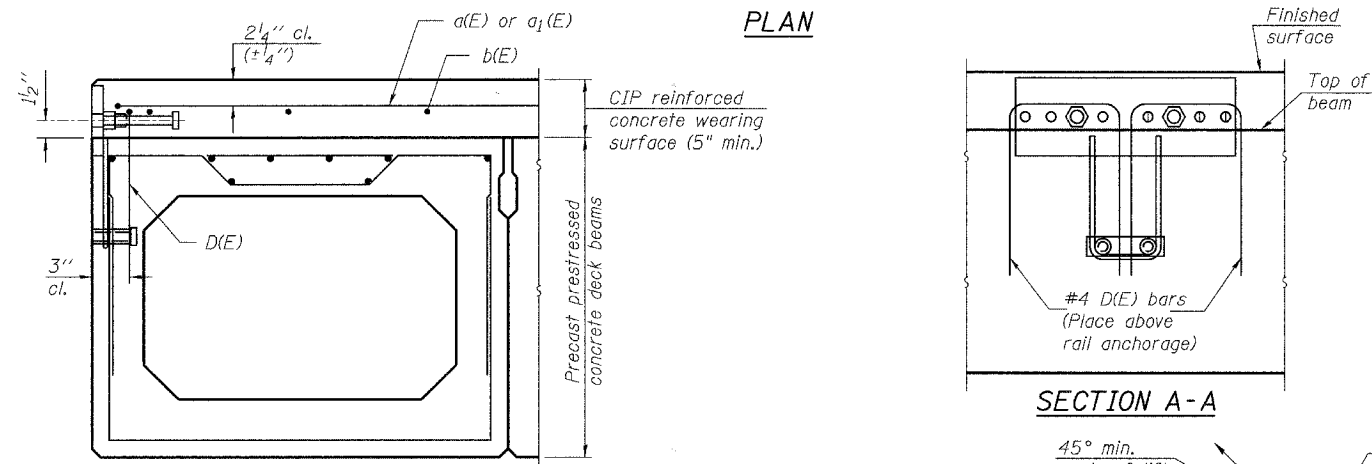
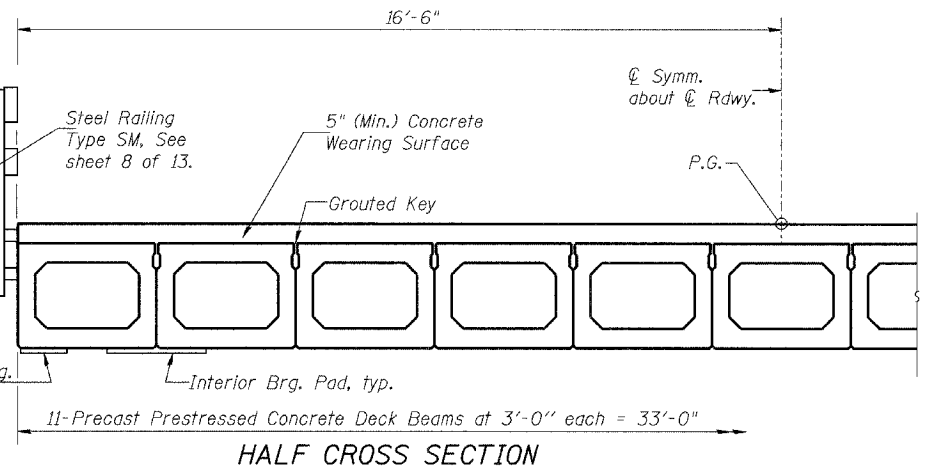
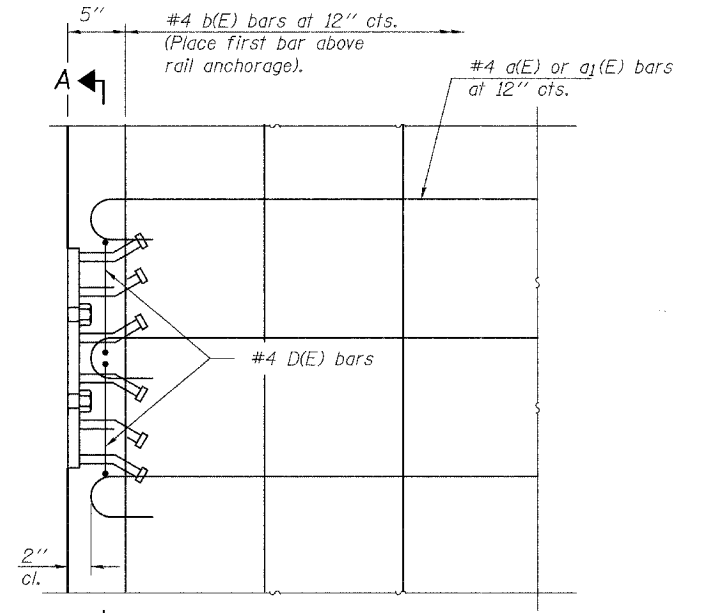
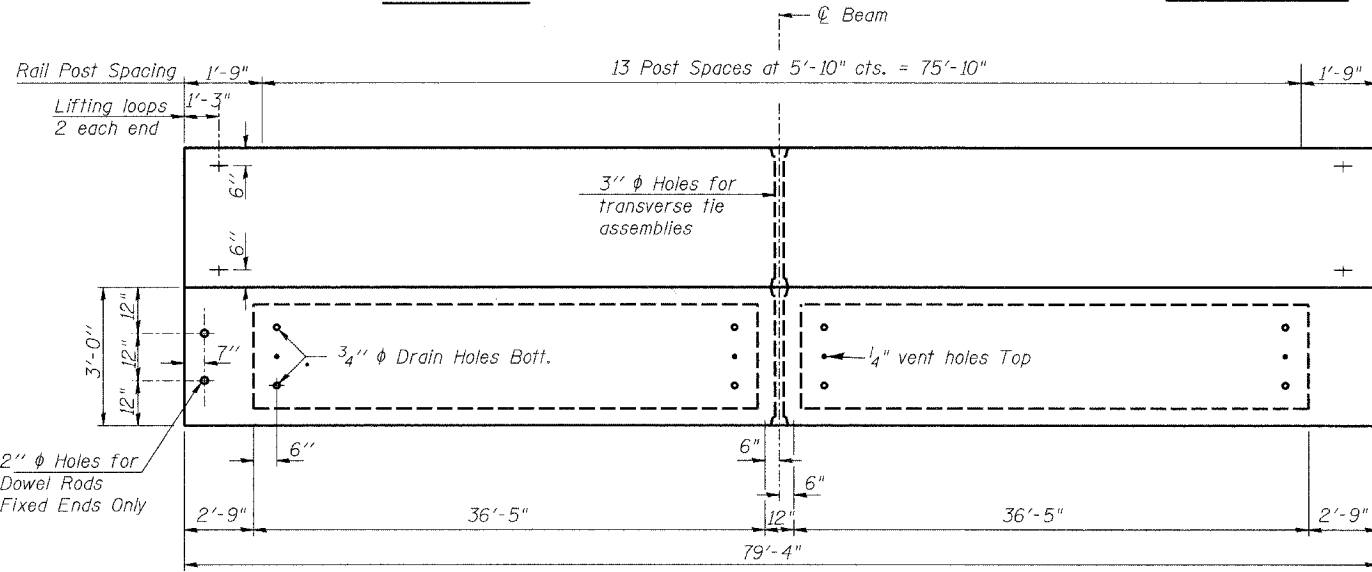
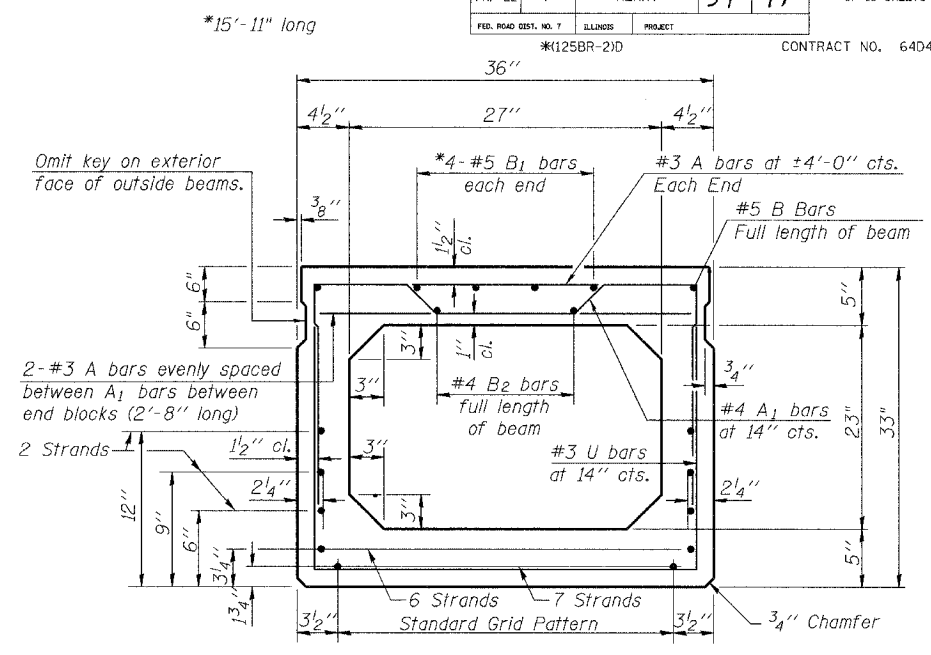
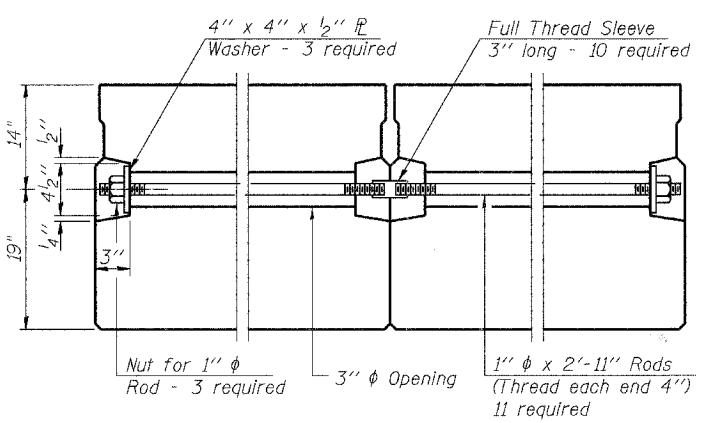
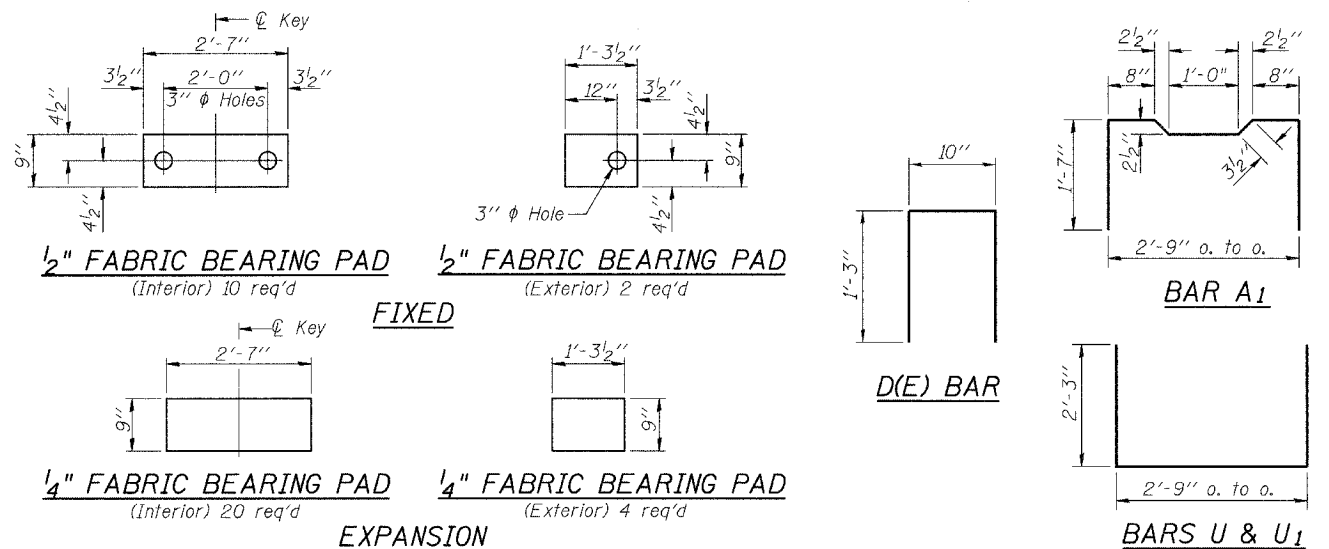


ROUTE NO.	SEC.	COUNTY	TOTAL SHEETS	SHEET NO.
FAP 22	*	HENRY	34	17
FED. ROAD DIST. NO. 7	ILLINOIS	PROJECT		

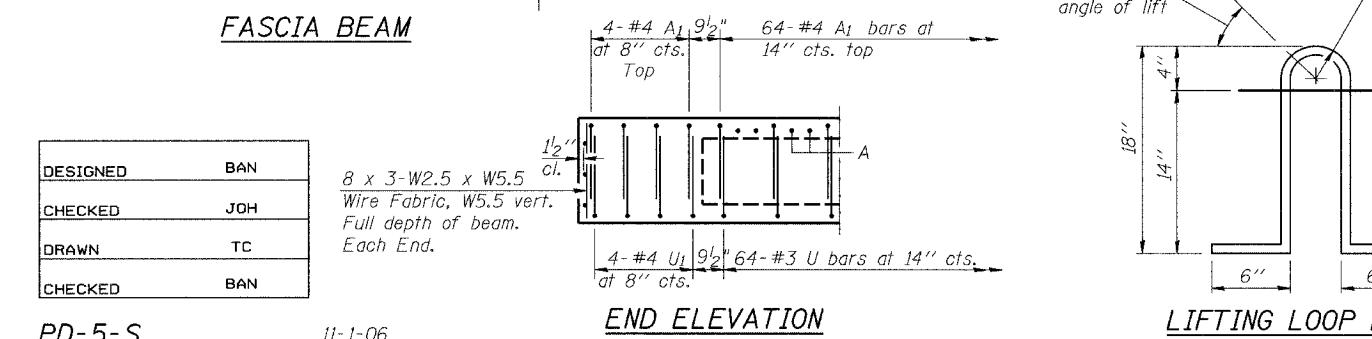
SHEET NO. 5  
OF 13 SHEETS

CONTRACT NO. 64D47



**NOTES**

Rail anchorage shall be cast in PPC deck beams. See typical section for dimensions, strand pattern and bar callouts not shown. Formwork necessary for the wearing surface may be secured utilizing the bottom rail anchorage inserts and/or additional inserts cast into the beam. Drilling into the beam will not be permitted.



DESIGNED	BAN
CHECKED	JOH
DRAWN	TC
CHECKED	BAN

8 x 3-W2.5 x W5.5 Wire Fabric, W5.5 vert. Full depth of beam. Each End.

**BILL OF MATERIAL**

Precast Prestressed Conc. Deck Bms. (33" Depth)	Sq. Ft.	2,618
---	---------	-------

**DECK BEAM DETAILS**  
F.A.P. 22 (ILL 78) OVER  
COAL CREEK  
SECTION (125BR-2)D  
HENRY COUNTY  
STATION 680+94.38  
STR. NO. 037-0130

HUTCHISON ENGINEERING, INC.  
JACKSONVILLE, ILLINOIS

PD-5-S 11-1-06

Rev: Date: