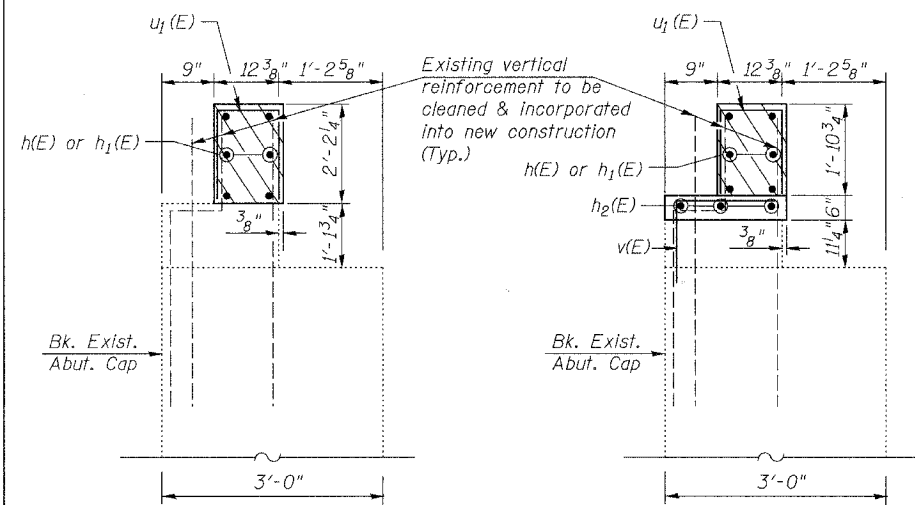


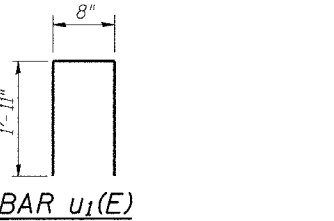
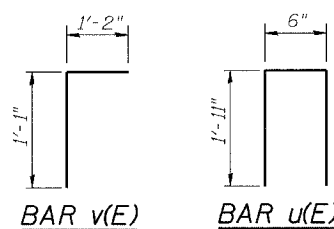
**SECTION A-A
SOUTH ABUTMENT**

**SECTION C-C
SOUTH ABUTMENT**



**SECTION B-B
NORTH ABUTMENT**

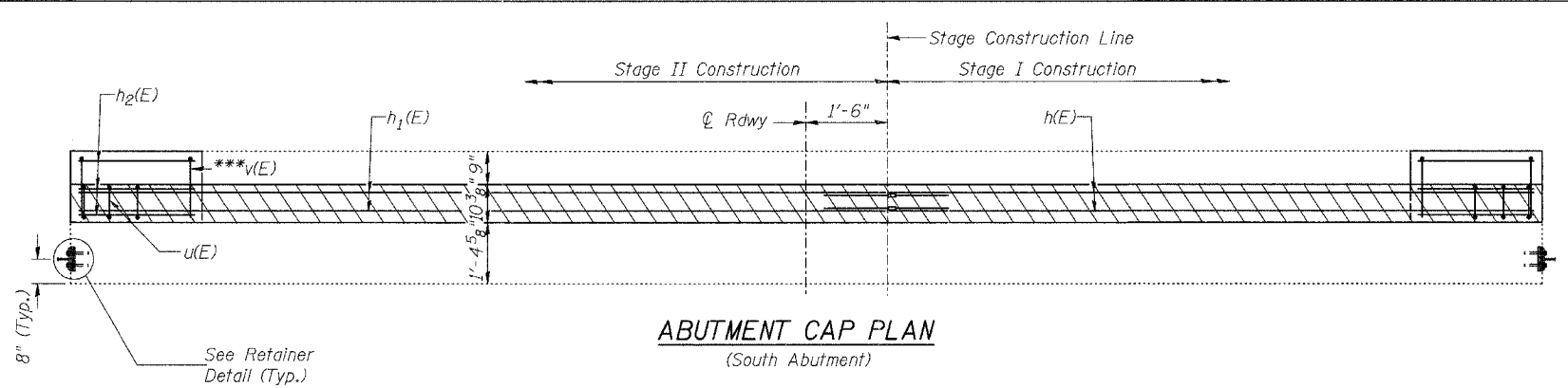
**SECTION D-D
NORTH ABUTMENT**



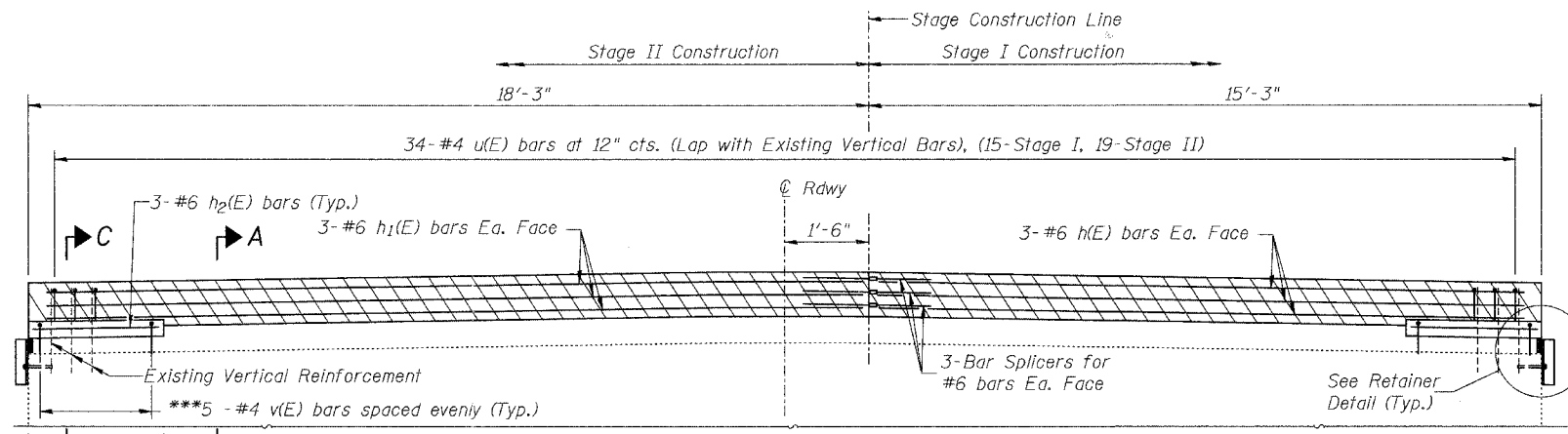
DESIGNED	BAN
CHECKED	JOH
DRAWN	TC
CHECKED	BAN

Notes:
Existing vertical reinforcement bars extending into new construction shall be cleaned, straightened and incorporated into the new construction. Cost to be included with Concrete Removal.
Hatched areas shall be poured after concrete wearing surface is in place and cured.
See sheet 2 of 13 for additional anchor bolt notes.
See Sheet 13 of 13 for Bar Splicer Details.

MIN. BAR LAP
#4 = 1'-4"

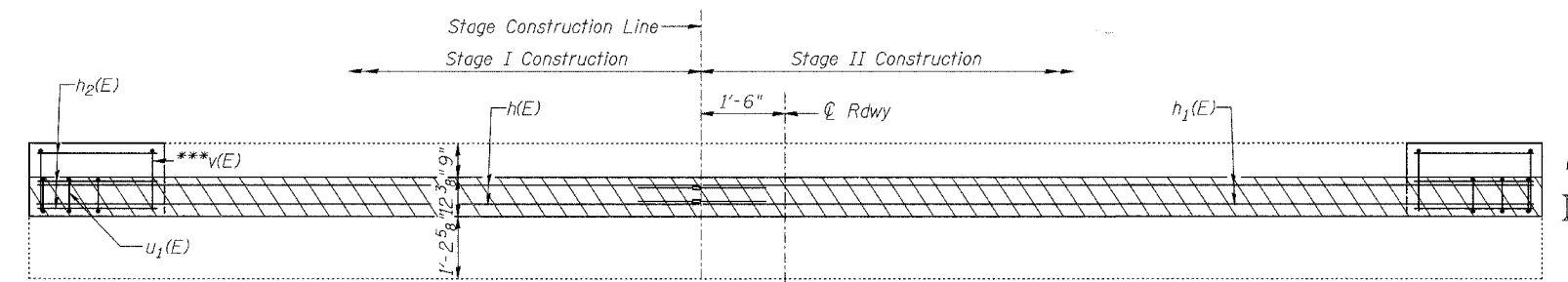


**ABUTMENT CAP PLAN
(South Abutment)**

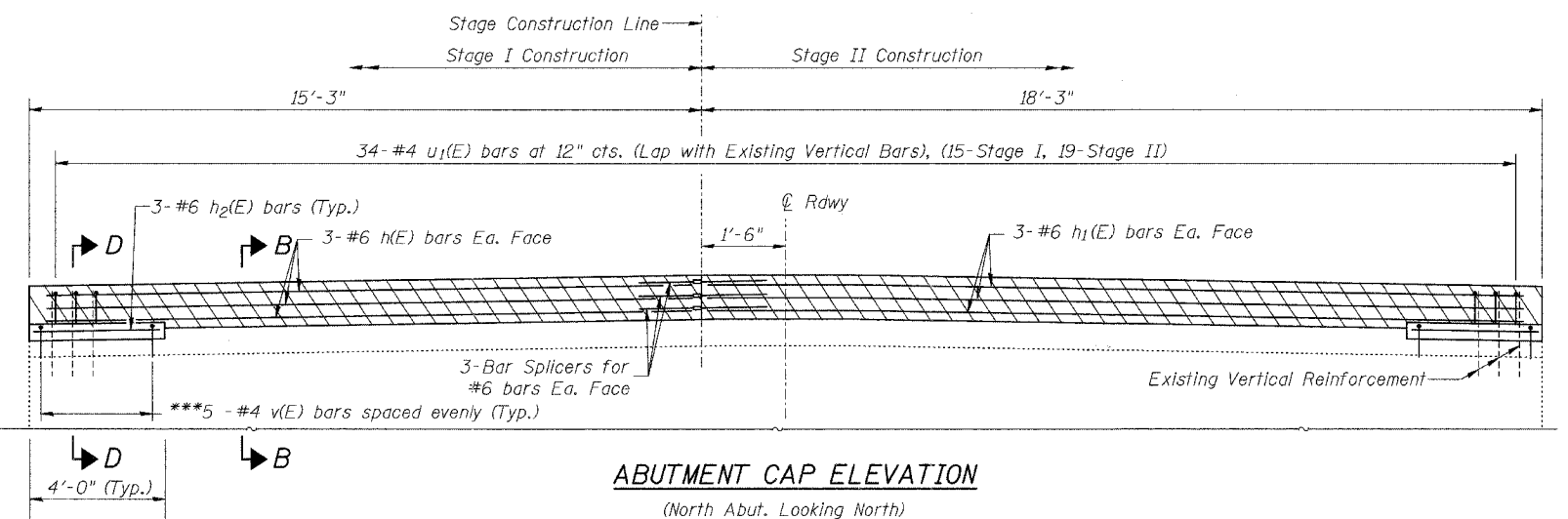


**ABUTMENT CAP ELEVATION
(South Abut. Looking South)**

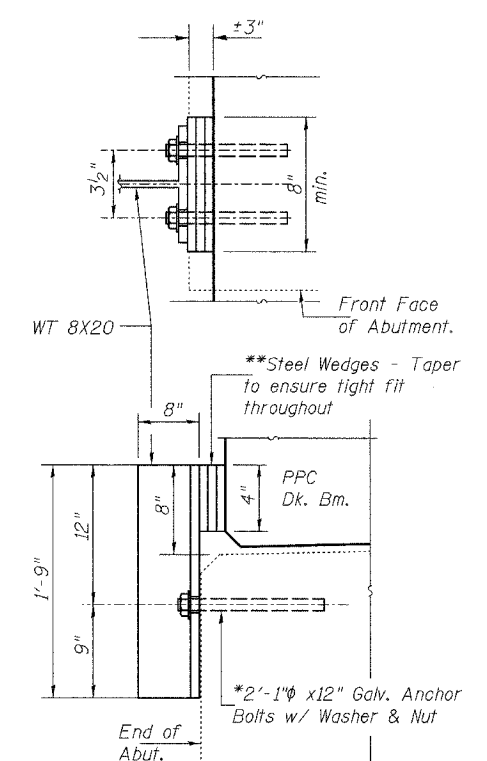
***Epoxy grout bars v(E) in 9" min. drilled holes according to Section 584 of the Standard Specifications.



**ABUTMENT CAP PLAN
(North Abutment)**



**ABUTMENT CAP ELEVATION
(North Abut. Looking North)**



**RETAINER DETAIL
S. ABUTMENT**

* Anchor bolts will be approved threaded rod placed in drilled holes and grouted in place. Cost of retainer and accessories are included with Precast Prestressed Concrete Deck Beams.
** Remove steel wedges after concrete wearing surface has cured.

BILL OF MATERIAL

Bar	No.	Size	Length	Shape
h(E)	12	#6	15'-0"	—
h1(E)	12	#6	18'-0"	—
h2(E)	12	#6	3'-9"	—
u(E)	34	#4	4'-4"	□
u1(E)	34	#4	4'-6"	□
v(E)	20	#4	2'-3"	Γ
Concrete Structures	Cu. Yd.	5.4		
Bar Splicers	Each	12		
Reinforcement Bars, Epoxy Coated	Pound	890		

**ABUTMENT DETAILS
F.A.P. 22 (ILL 78) OVER
COAL CREEK
SECTION (125BR-21D)
HENRY COUNTY
STATION 680+94.38
STR. NO. 037-0130**

HUTCHISON ENGINEERING, INC.
JACKSONVILLE, ILLINOIS

Rev: _____ Date: _____