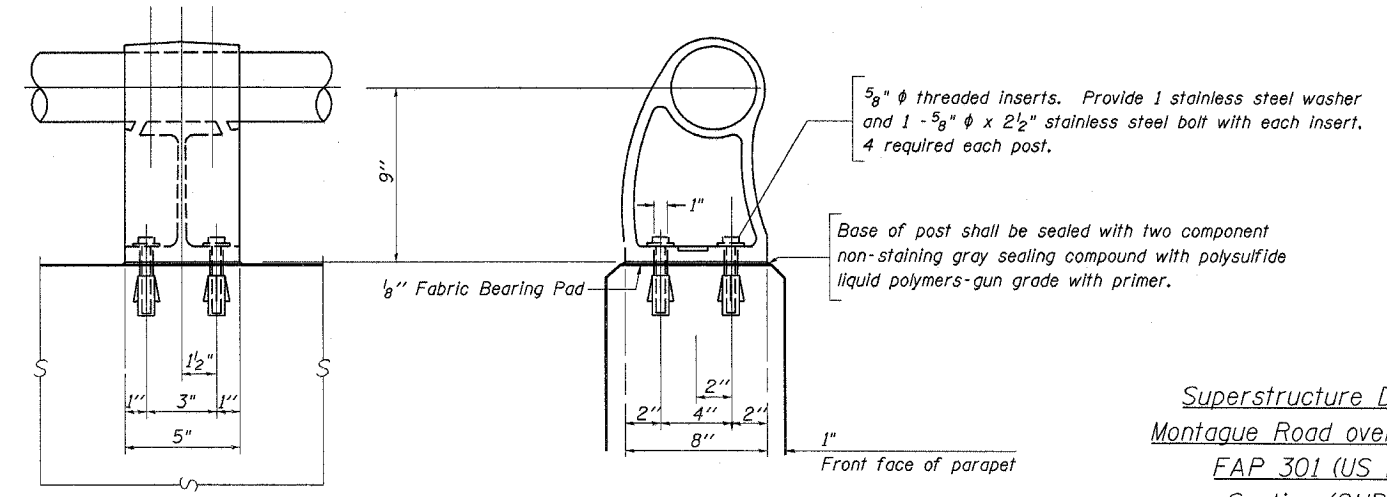
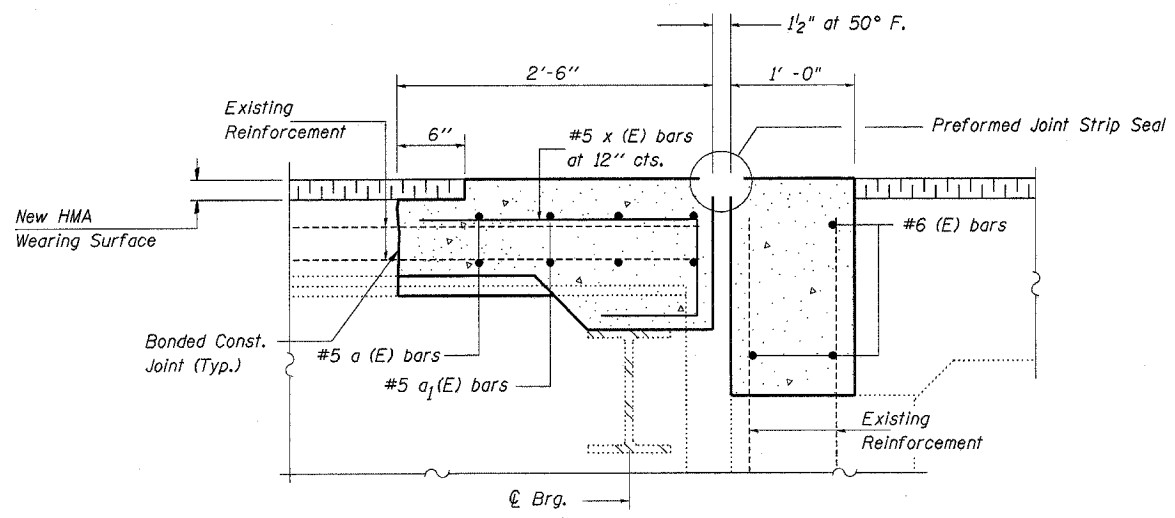
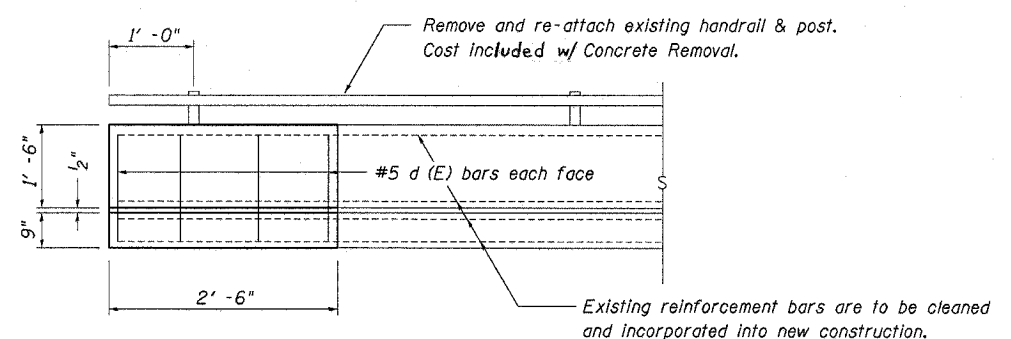
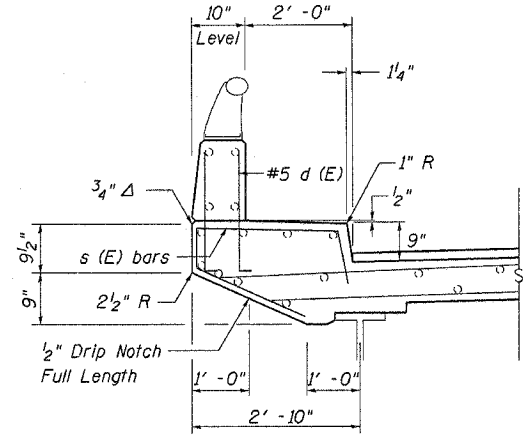
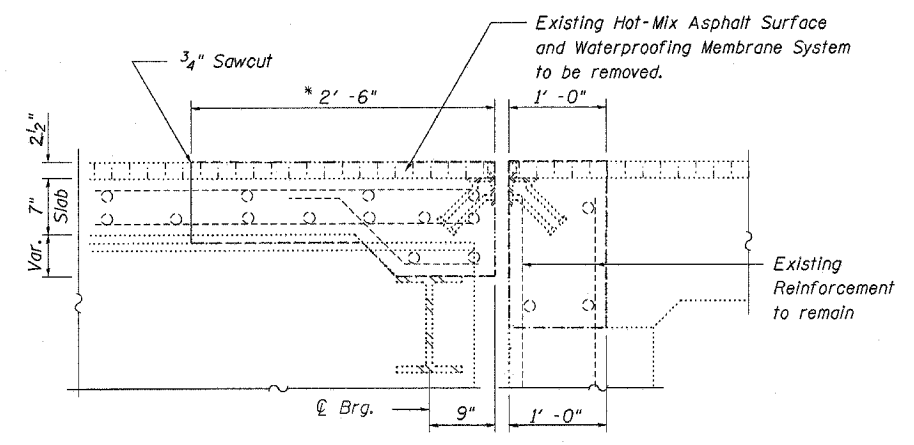
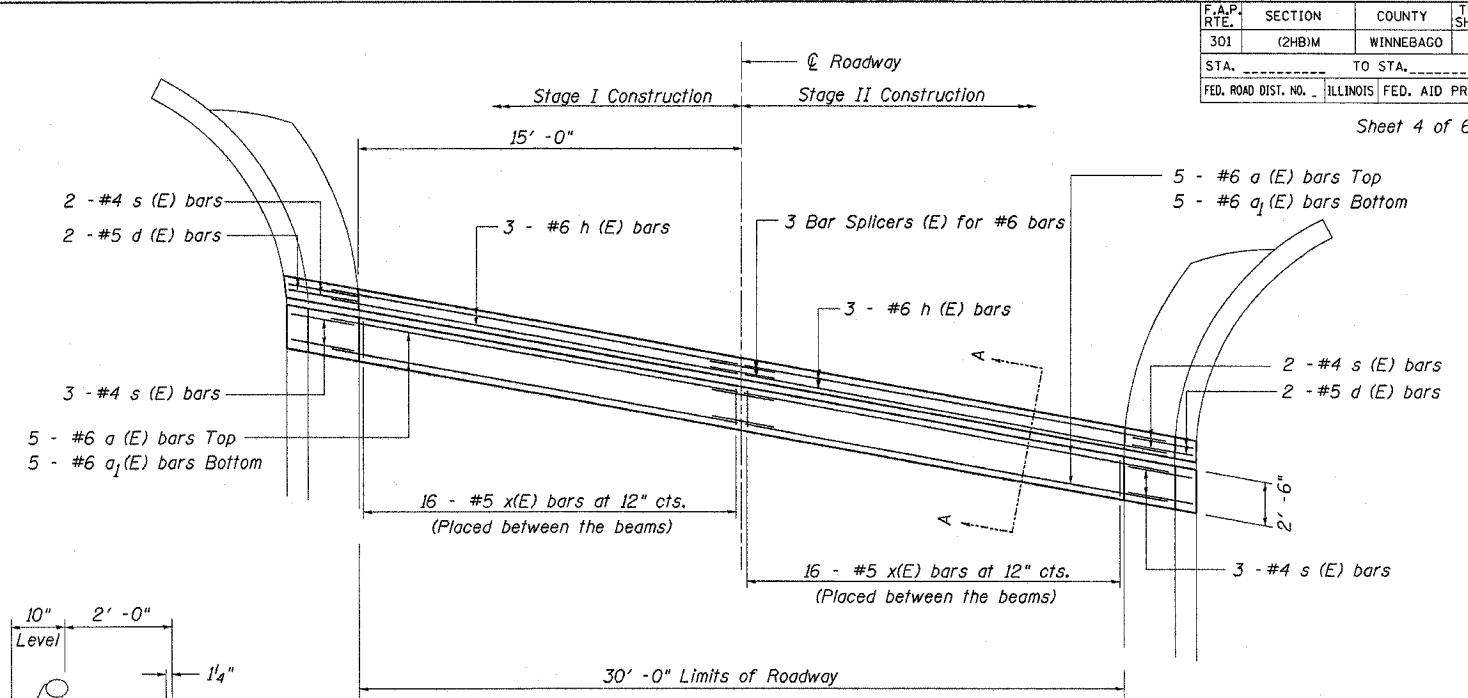
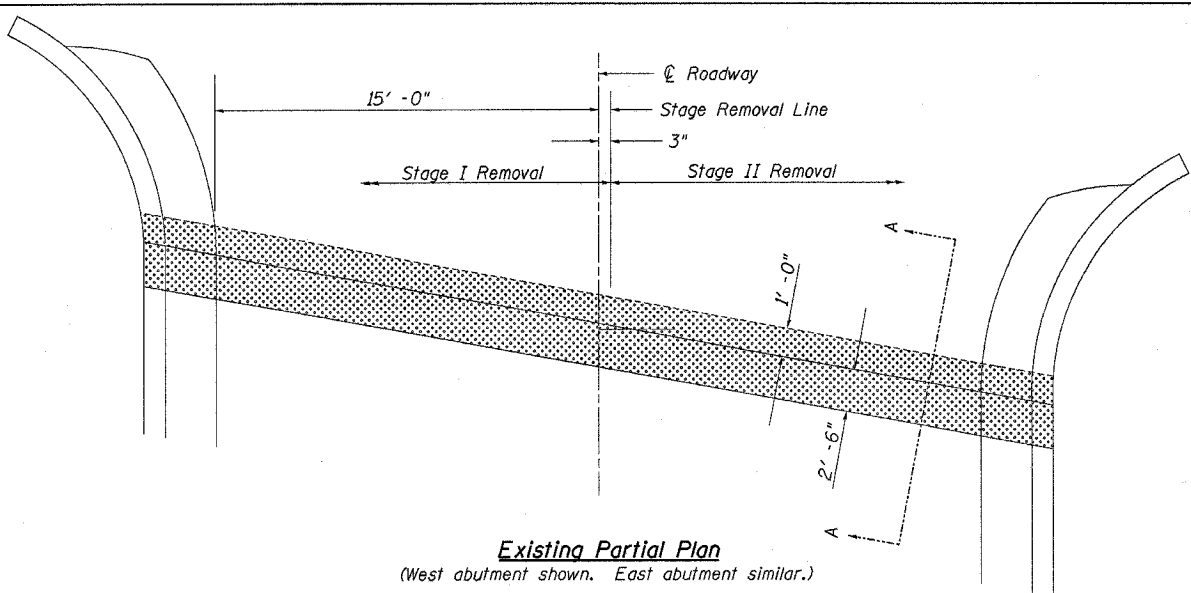


F.A.P. RTE.	SECTION	COUNTY	TOTAL SHEETS	SHEET NO.
301	(2HB)M	WINNEBAGO	13	9
STA. _____		TO STA. _____		
FED. ROAD DIST. NO. _____ ILLINOIS FED. AID PROJECT				



Dimensions are based on a Rolled Rail Strip Seal Joint. If the Contractor elects to use the Welded Rail Strip Seal Joint, deck dimensions may require adjustments to satisfy the details on Base Sheet EJ-SSJ.

Superstructure Details  
Montague Road over US 20  
FAP 301 (US 20)  
Section (2HB)M  
Winnebago County  
Structure Number 101-0094

PLOT DATE = Mon Jun 04 14:43:06 2007  
FILE NAME = D:\b\cadd\plans\winnebago County\101094\8095.dgn  
PLOT SCALE = 50.0000 / 1"  
USER NAME = j.tinkaj