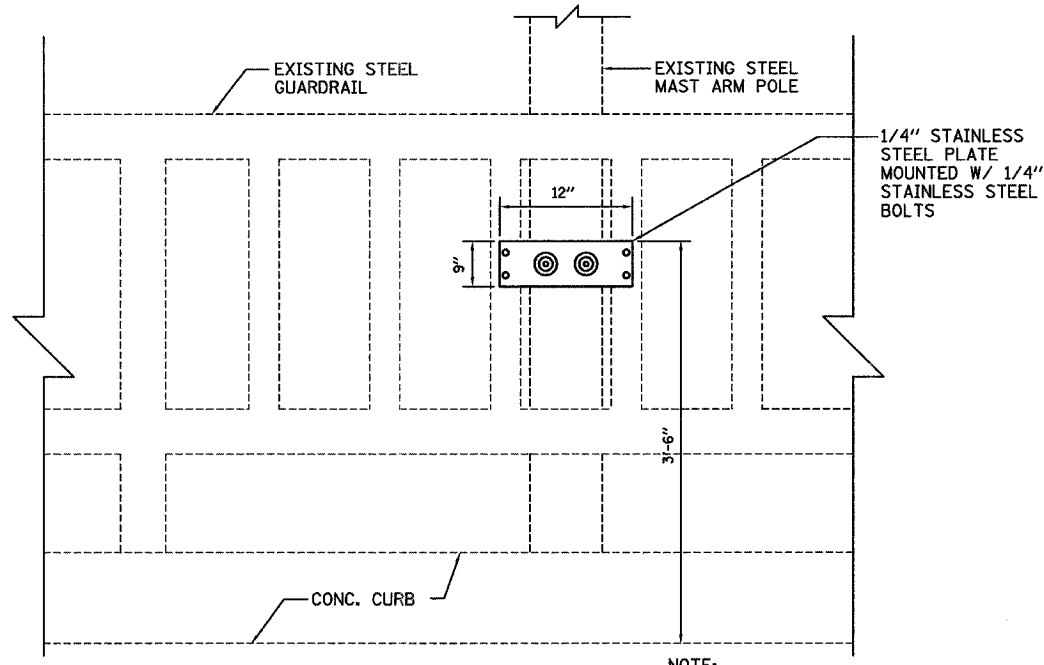


F.A.P. RTE.	SECTION	COUNTY	TOTAL SHEETS	SHEET NO.
.	..	KANKAKEE	48	32
STA. _____		TO STA. _____		
FED. ROAD DIST. NO. _____		ILLINOIS FED. AID PROJECT		

- FAP 840 (IL 50) & FAP 330 (IL 17)
- (139 Z, 11) TS-1 & (1) TS-2

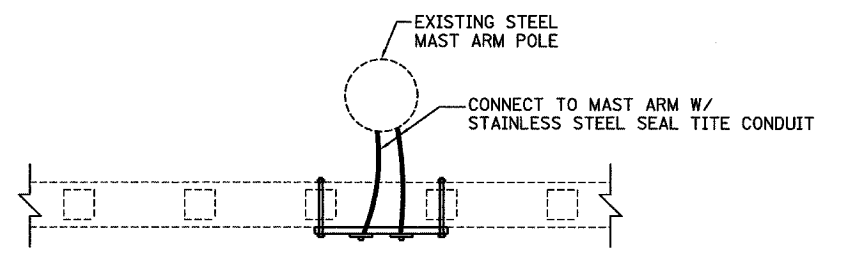
ELECTRICAL LOAD FOR INTERSECTION				
STREET NAME	COMPONENT	NUMBER	WATTAGE EACH	BURNTIME %
U.S. ROUTE 45/52 (WASHINGTON AVE)	RED	5	10	68
	YELLOW	5	19	5
	GREEN	5	14	27
	YELLOW ARROW-RT.	2	9	5
	GREEN ARROW-RT.	2	3.4	11
		4	8	95
		4	6	5
ILLINOIS ROUTE 50 RIVER STREET	RED	5	10	74
	YELLOW	5	19	5
	GREEN	5	14	21
	YELLOW ARROW-RT.	2	9	5
	GREEN ARROW-LT.	2	3.4	21
		4	8	95
		4	6	5
TRAFFIC SIGNAL CABINET	CONTROLLER	1	6	100
	VEHICLE DETECTORS	10	4	100
	UPS	1	50	100
	EMERGENCY VEHICLE PREEMPT	4	--	--

AGENCY RESPONSIBLE FOR TRAFFIC SIGNAL ENERGY CHARGES:
CITY OF KANKAKEE



FRONT VIEW

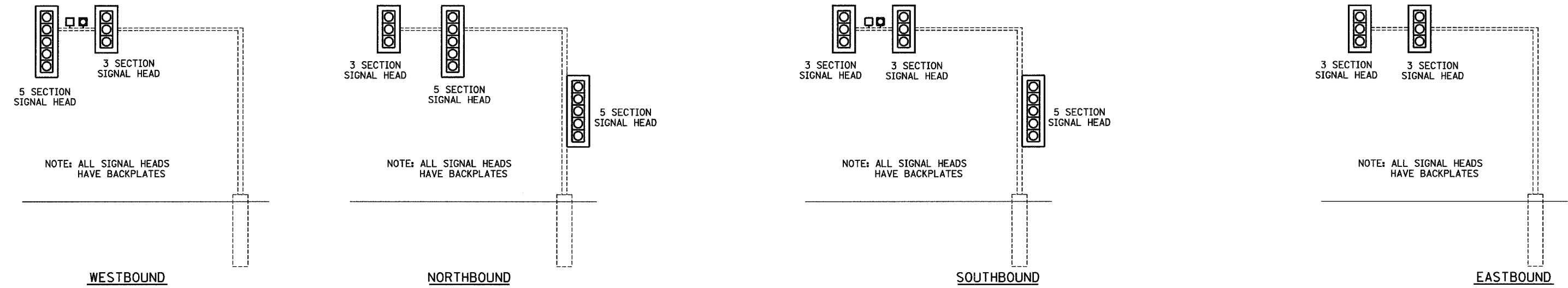
NOTE:
CONTRACTOR TO VERIFY
ALL DIMENSIONS
MOUNT INSTRUCTION SIGNS
ADJACENT TO PUSH-BUTTONS



TOP VIEW

PEDESTRIAN PUSH BUTTON DETAIL @ SOUTHEAST CORNER OF RIVER STREET AND WASHINGTON AVENUE

NOT TO SCALE



WESTBOUND
NORTHWEST CORNER
NOT TO SCALE

NORTHBOUND
NORTHEAST CORNER
NOT TO SCALE

SOUTHBOUND
SOUTHWEST CORNER
NOT TO SCALE

EASTBOUND
SOUTHEAST CORNER
NOT TO SCALE

U.S. ROUTE 45/52 (WASHINGTON AVENUE) / RIVER STREET

PLOT DATE = 4/07
FILE NAME = tsdet.dgn
PLOT SCALE = 1" = 20"
USER NAME = ARR

REVISIONS	
NAME	DATE
ARR	4/07

ILLINOIS DEPARTMENT OF TRANSPORTATION
TRAFFIC SIGNAL DETAILS
RIVER STREET AND
US 45/52 - WASHINGTON AVENUE
SECTION (139 Z, 11) TS-1 & (1) TS-2
KANKAKEE COUNTY

SCALE: VERT. 1" = 20'
HORIZ. 1" = 20'

DATE 6/05

DRAWN BY ARR
CHECKED BY JLS