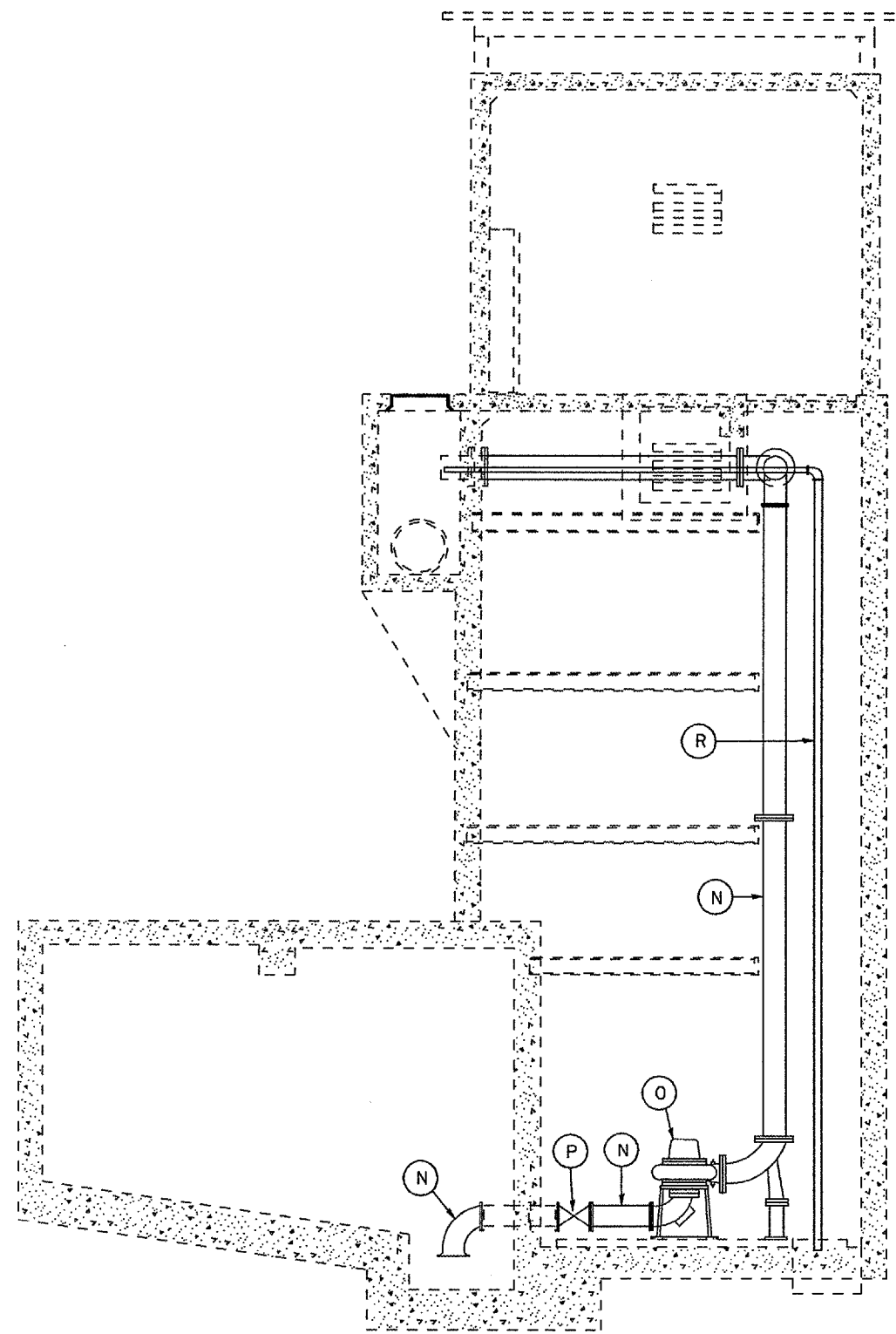
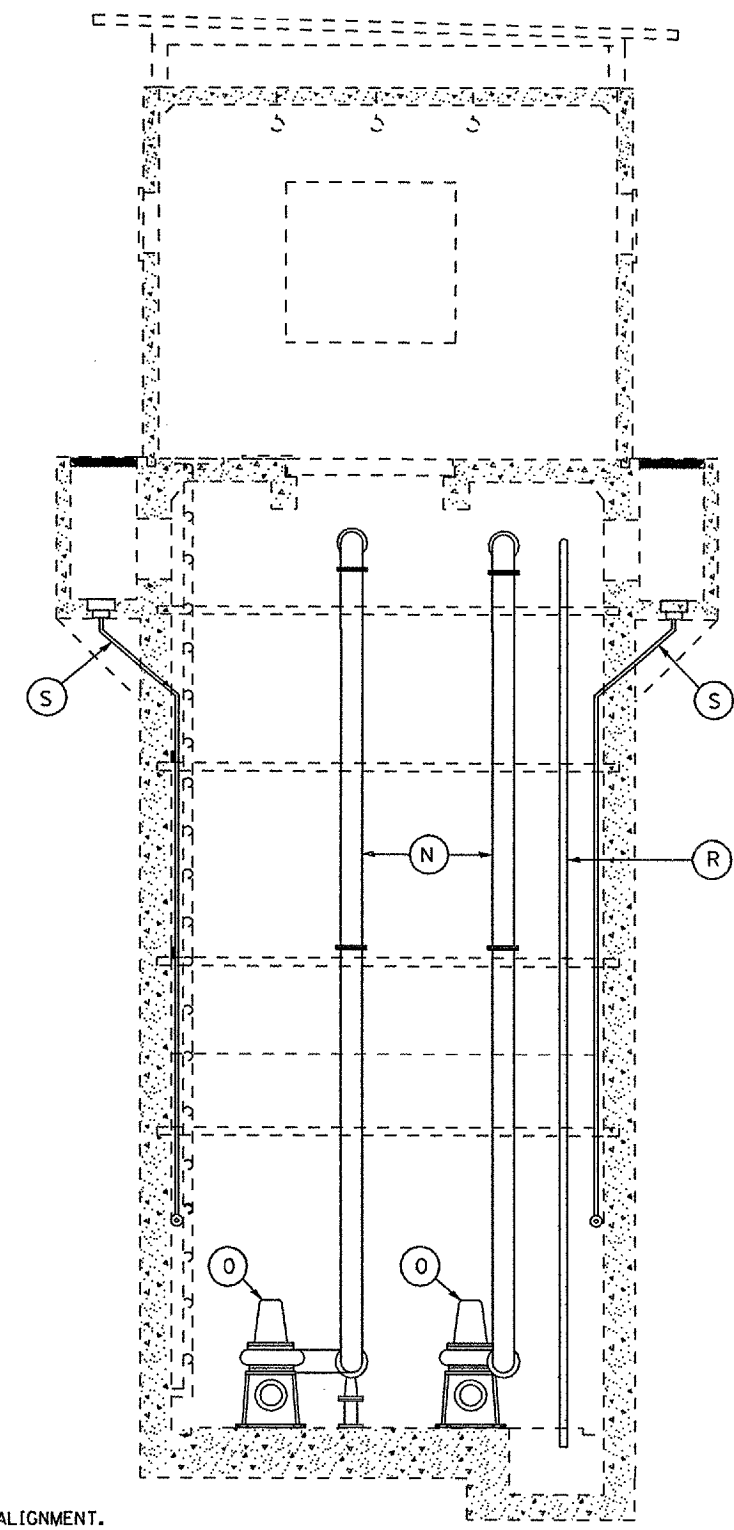


F.A.P. RTE.	SECTION	COUNTY	TOTAL SHEETS	SHEET NO.
332	12SB-FAGH1	IROQUOIS	14	12
FED. ROAD DIST. NO.		ILLINOIS	STATE AID PROJECT	



SECTION C-C



SECTION D-D

NOTE

PROPOSED DISCHARGE PIPING WILL FOLLOW EXISTING ALIGNMENT. ANY RE-ALIGNMENT REQUIRED MUST BE APPROVED BY THE ENGINEER AND SCHEDULE 3.05 IN THE SPECIAL PROVISIONS FOR DUTY POINTS MUST BE MODIFIED.

ANY EXISTING SUCTION, DISCHARGE OR DRAIN PIPING THAT IS CAST INTO THE CONCRETE WALL SHALL REMAIN IN PLACE. ALL OTHER PIPING SHALL BE REMOVED.

REVISIONS	
NAME	DATE

ILLINOIS DEPARTMENT OF TRANSPORTATION
**EQUIPMENT & ELECTRICAL
 REPLACEMENT DETAILS**
 FAP ROUTE 322 (IL 1) SECTION (2SB-FAGH1)
 IROQUOIS COUNTY
 MILFORD PUMP STATION
 S.N. 038-0024

DATE: JANUARY 7, 2007
 FILE: c:/projects/cmain08/cm309/details.dgn