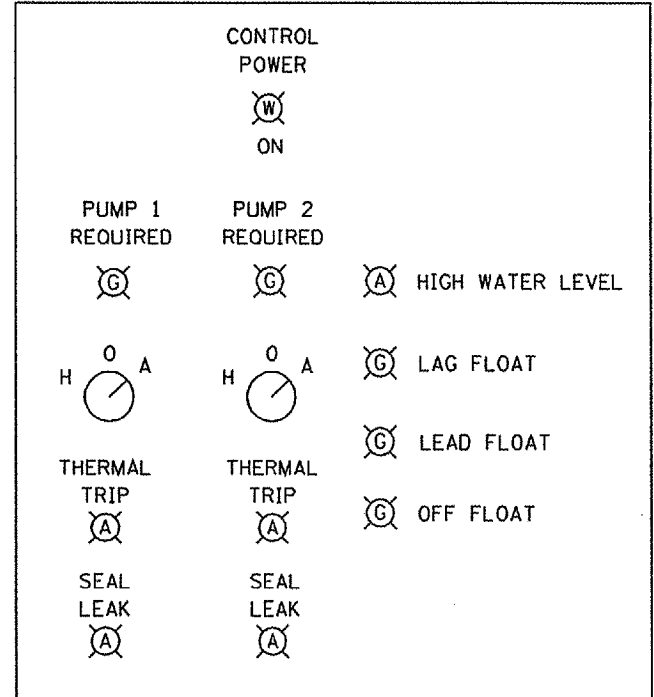
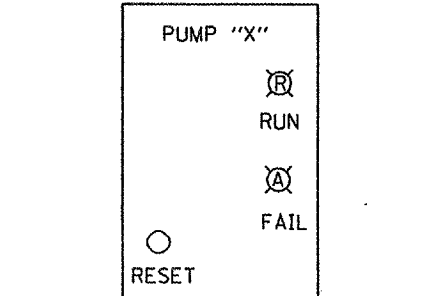
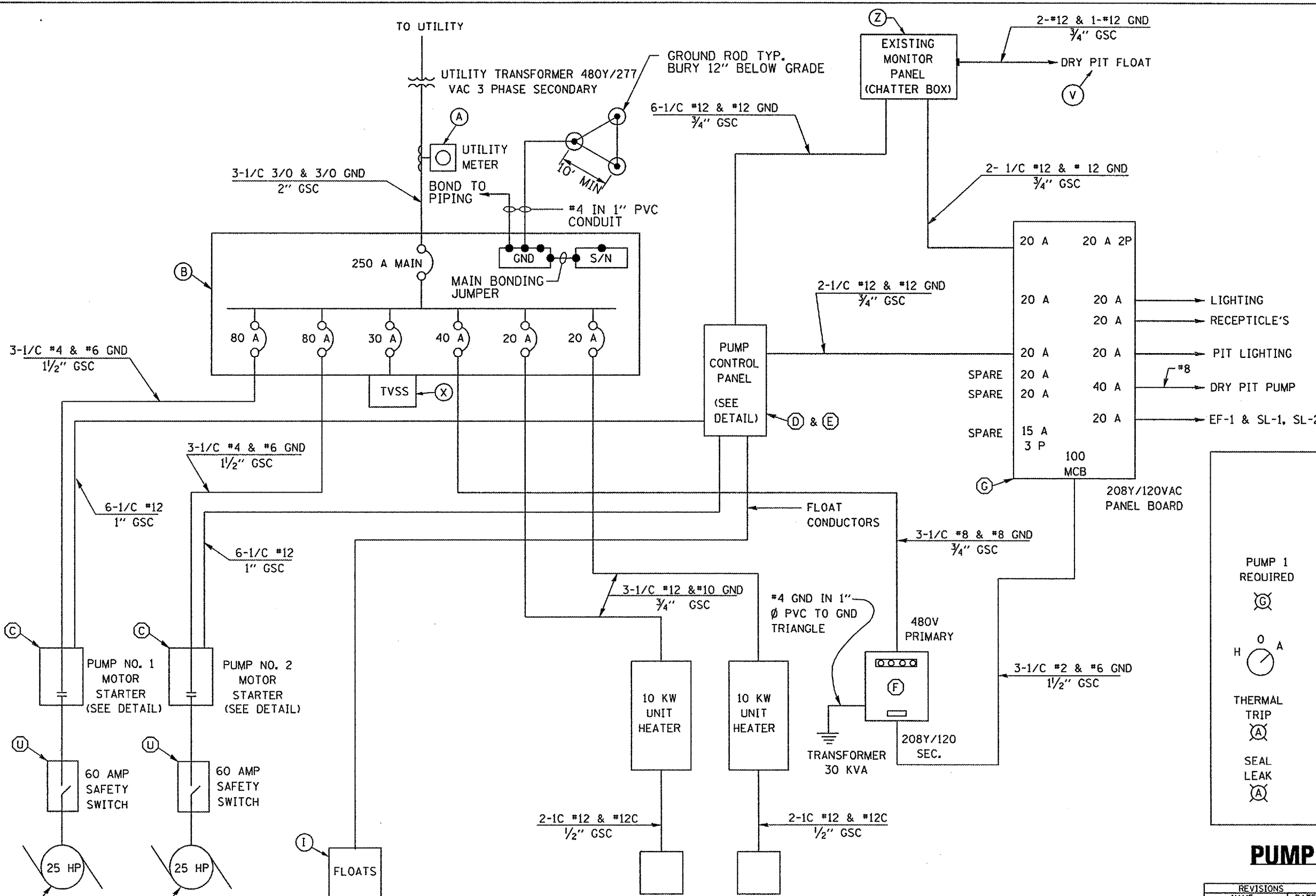


F.A.P. RTE.	SECTION	COUNTY	TOTAL SHEETS	SHEET NO.
332	(2SB-FAGH)I	IRROUOIS	14	14
FED. ROAD DIST. NO. _____		ILLINOIS STATE AID PROJECT		



**SCHEMATIC**

REVISIONS	
NAME	DATE

ILLINOIS DEPARTMENT OF TRANSPORTATION  
**ELECTRICAL SCHEMATIC**  
 FAP ROUTE 322 (IL 1) SECTION (2SB-FAGH)I  
 IROUOIS COUNTY  
 MILFORD PUMP STATION  
 S.N. 038-0024

DATE: JANUARY 7, 2007  
 FILE: c:/projects/cmain08/cm309/details.dgn