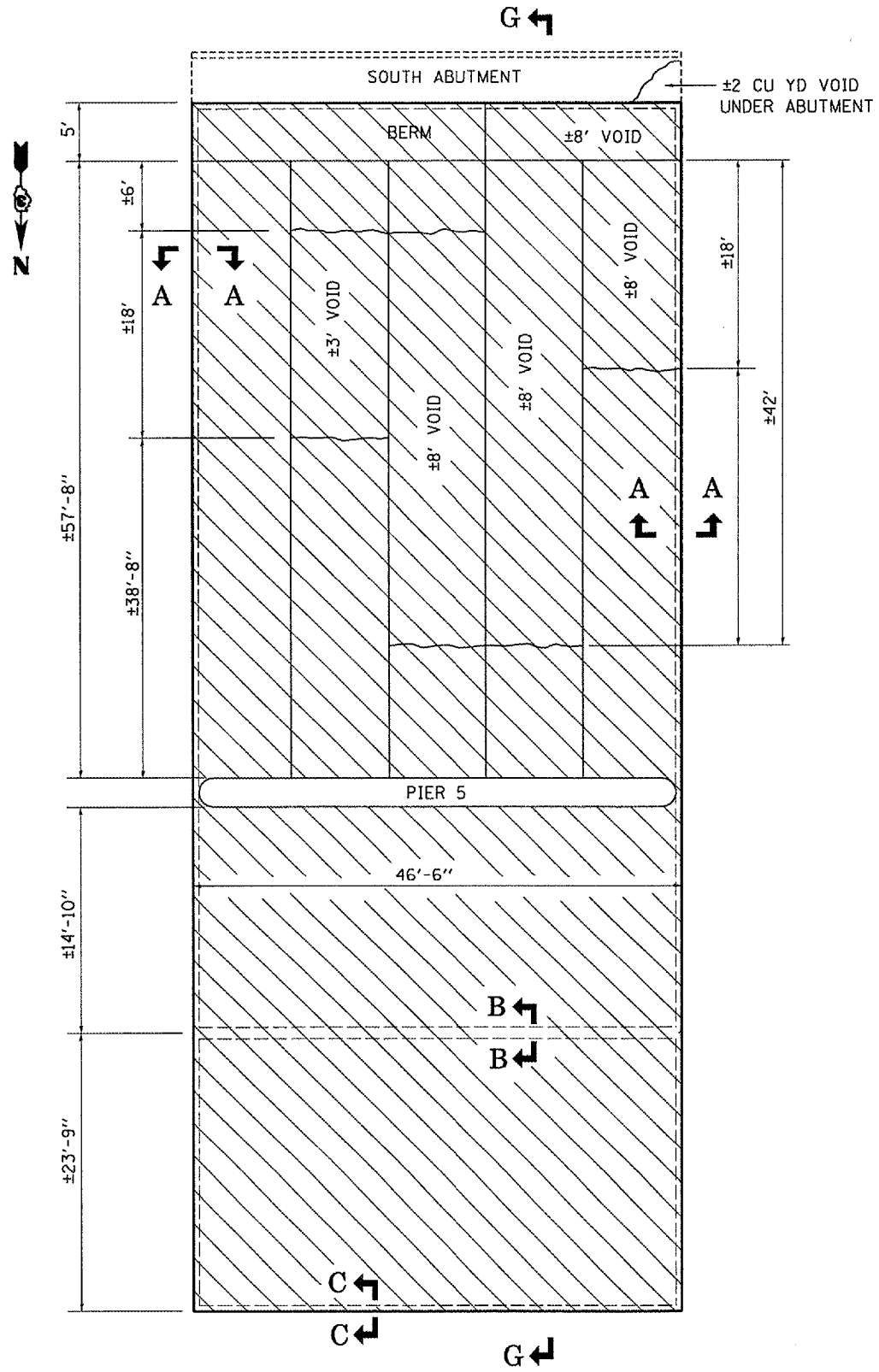
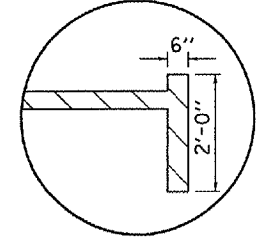


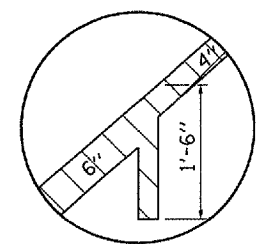
F.A.I. RTE.	SECTION	COUNTY	TOTAL SHEETS	SHEET NO.
180	(06-2B-1)I	BUREAU	14	12



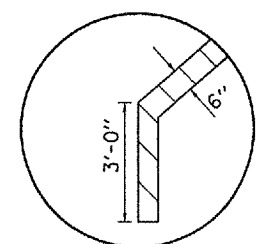
EXISTING PLAN



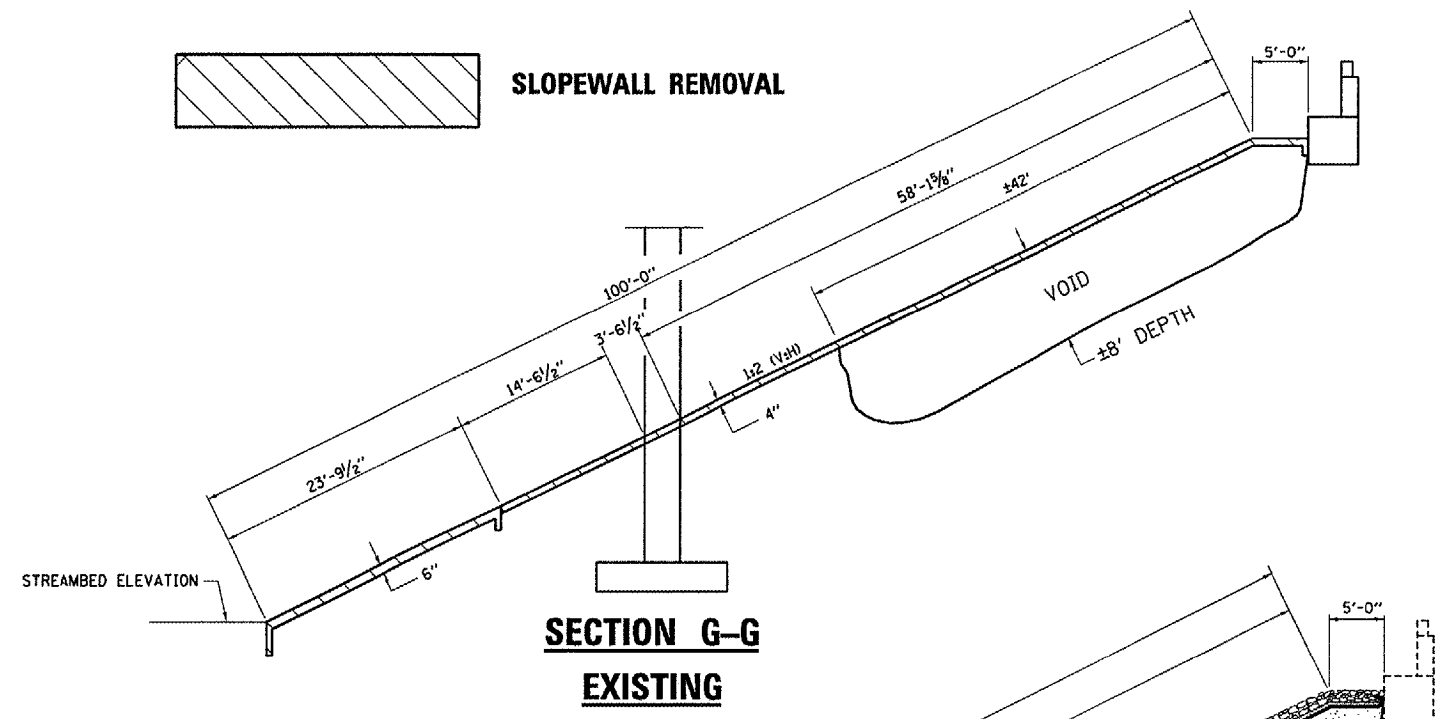
SECTION A-A



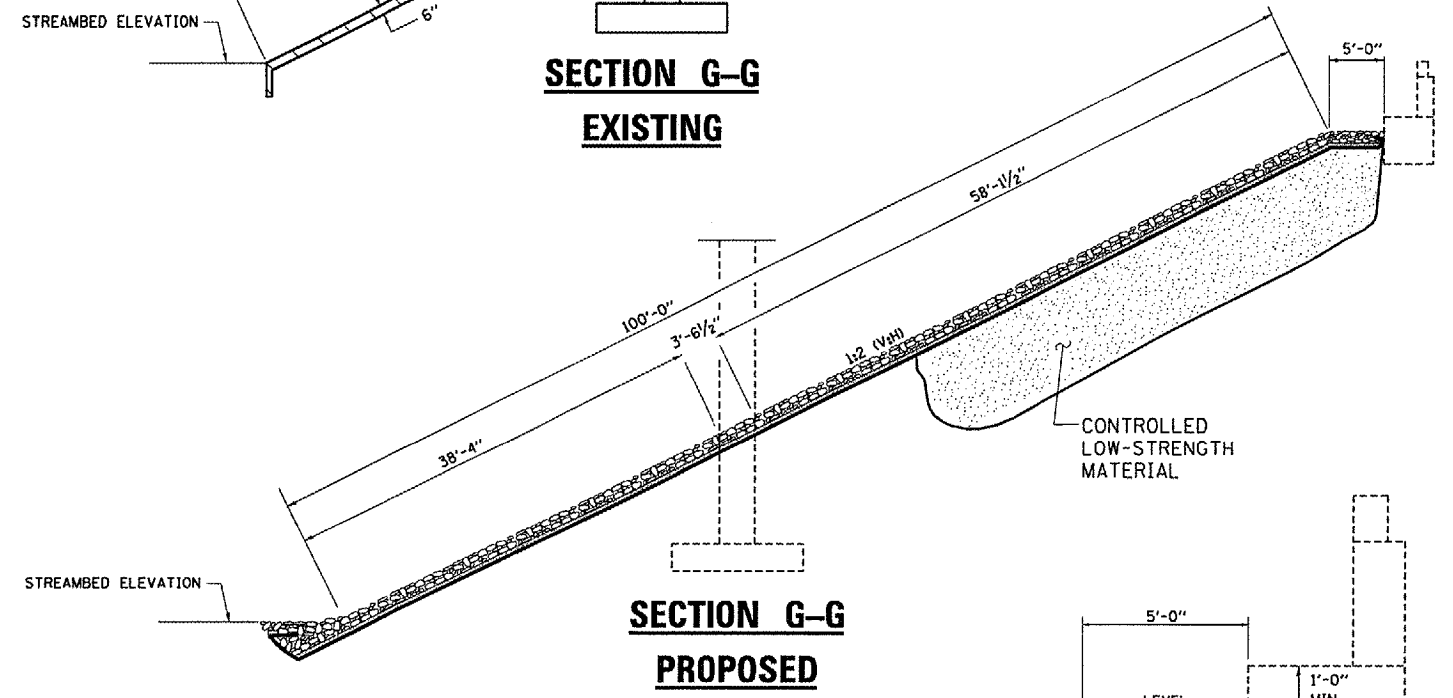
SECTION B-B



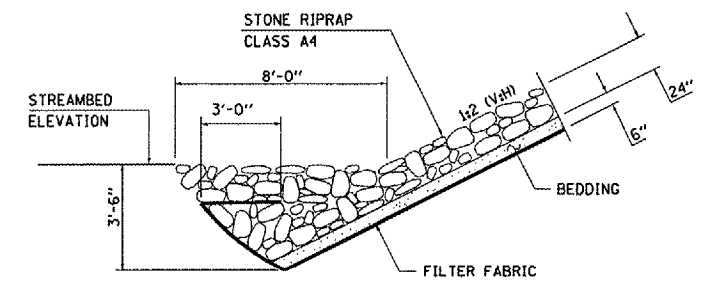
SECTION C-C



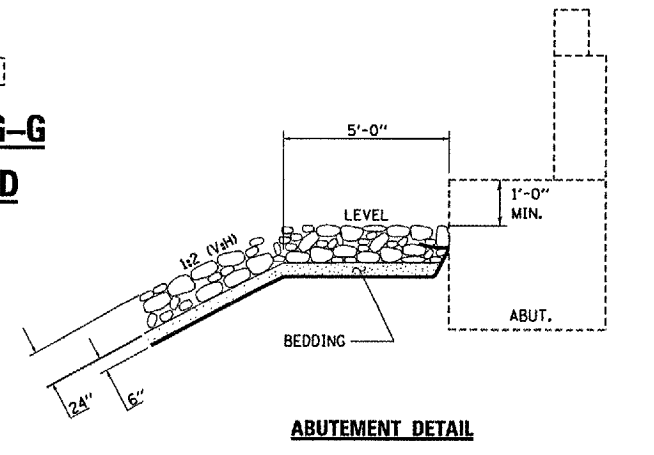
SECTION G-G EXISTING



SECTION G-G PROPOSED



STONE RIPRAP ANCHOR DETAIL



ABUTMENT DETAIL

REVISIONS	
NAME	DATE

ILLINOIS DEPARTMENT OF TRANSPORTATION
SLOPEWALL DETAILS AT S. ABUT.
FAI ROUTE 180 SECTION (06-2B-1)I
BUREAU COUNTY
STA. 521+42
S.N. 006-0052 NB

Date: April 5, 2007
 c:/projects/cmair/cm312/details.dgn