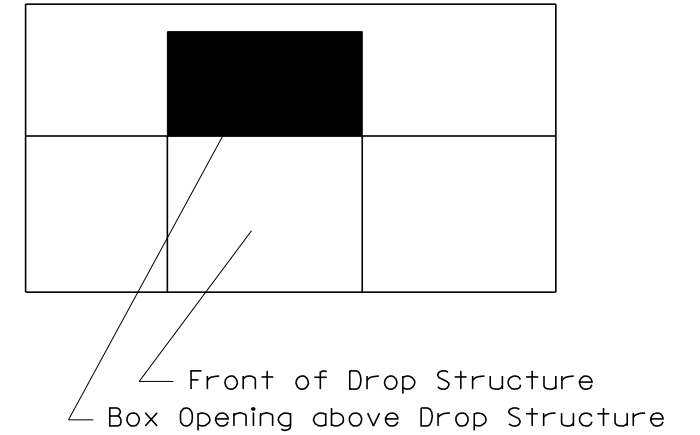
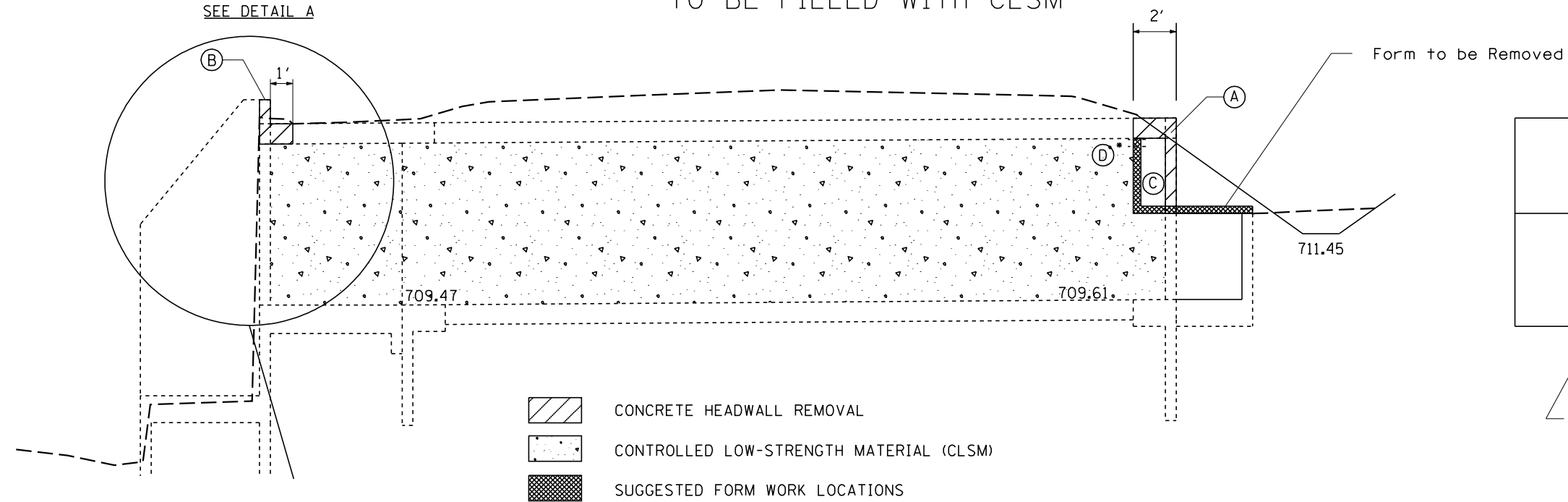


F.A.P. RTE.	SECTION	COUNTY	TOTAL SHEETS	SHEET NO.
840	121BR	VERMILION	19	7
STA.		TO STA.		
FED. ROAD DIST. NO.		ILLINOIS FED. AID PROJECT		

SHEET 2 OF 2

S.N. 092-8043 @ STA. 796+57.5
TO BE FILLED WITH CLSM



- CONCRETE HEADWALL REMOVAL
- CONTROLLED LOW-STRENGTH MATERIAL (CLSM)
- SUGGESTED FORM WORK LOCATIONS

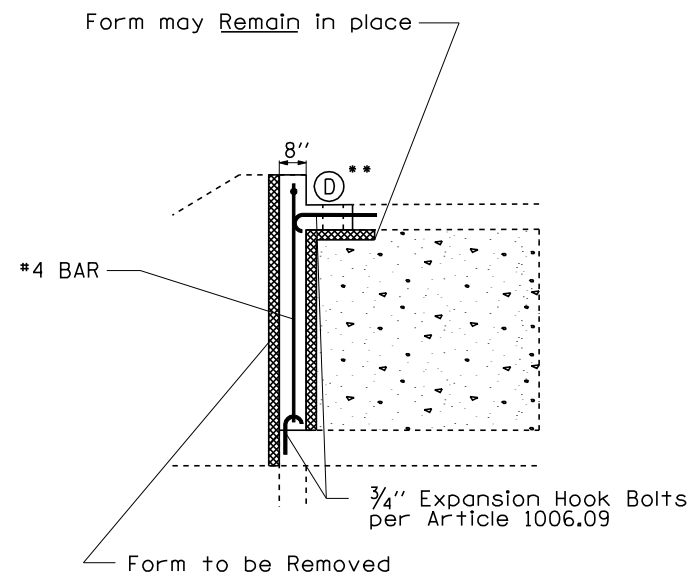
BILL OF MATERIALS		
ITEM	UNIT	QUANTITY
3/4" Expansion Hook Bolts	EACH	18
# 4 Re-Bar	EACH	9
Class SI Concrete	CU YD	1.0

This work will not be paid for separately, but shall be included in the contract unit price per CU YD for CONTROLLED LOW-STRENGTH MATERIAL

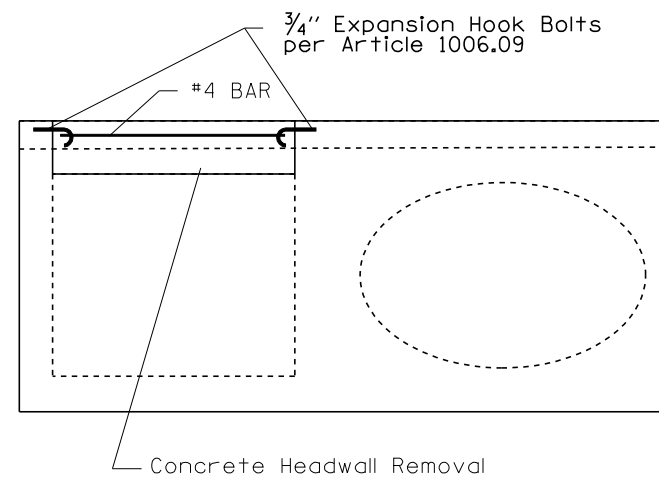
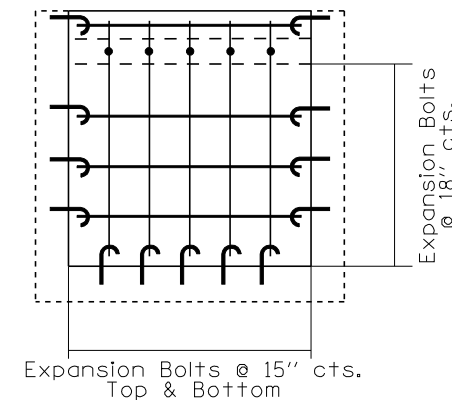
PLAN NOTE:

- (A) The 2' of Concrete Headwall Removal shall be removed prior to the filling of the existing box culvert.
- (B) Concrete Headwall Removal shall be removed and new cap in place prior to the filling of the existing box culvert.
- (C) The height of form is based on how much space is needed for shute or hose to fill box.
- (D) (* & **) Provide two 8" PVC pipe openings for CSLM Placement and Capacity Verification.
- (E) Expansion bolts shall consist of self drilling expansion shields & 3/4" Ø hooked bolts. Bolts shall extend a minimum of 9" into existing concrete.

DETAIL A



REINFORCEMENT DETAIL



PLAN VIEW

REVISIONS	
NAME	DATE

ILLINOIS DEPARTMENT OF TRANSPORTATION

CONTROLLED
LOW-STRENGTH
MATERIAL DETAIL

SCALE: VERT. NOT TO SCALE
HORIZ. NOT TO SCALE
DRAWN BY
CHECKED BY