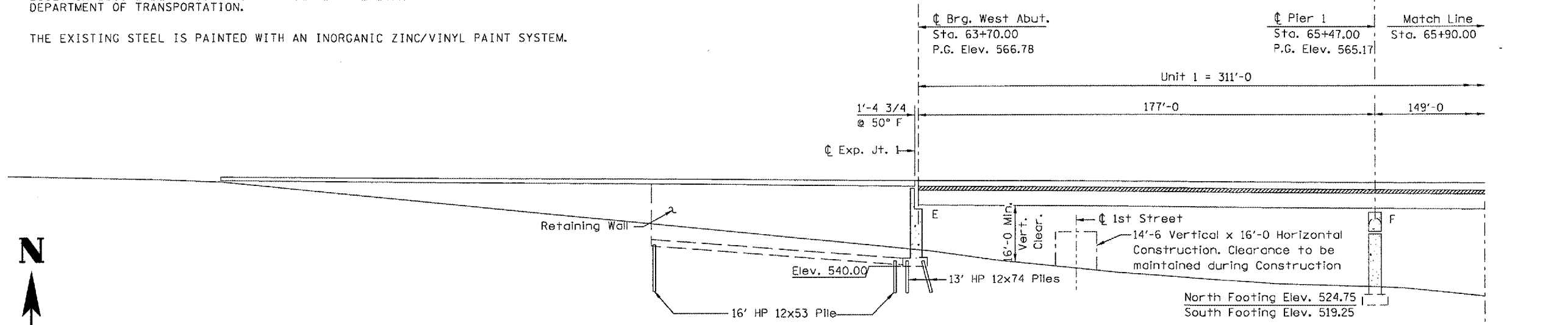


F.A.P. RTE.	SECTION	COUNTY	TOTAL SHEETS	SHEET NO.
315	022BL	HANCOCK	13	5

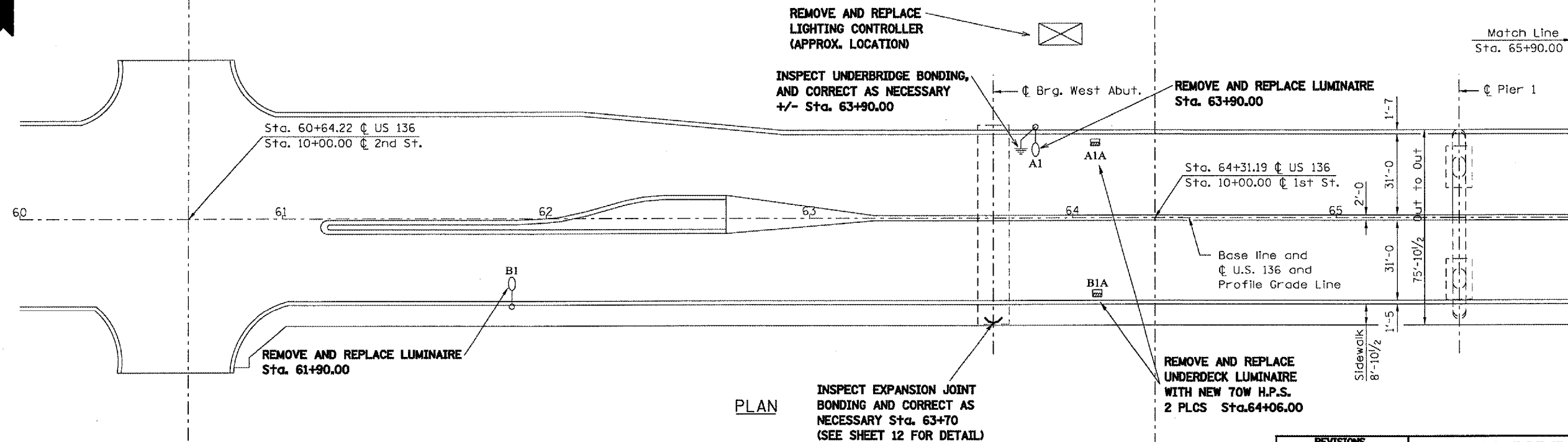
**EXISTING STRUCTURE:**

SN 034-0062 CONSISTS OF 15 STEEL MULTI-BEAM WELDED PLATE GIRDER SPANS, WITH AN OVERALL LENGTH OF 3,340 FT MEASURED FROM BACK-TO-BACK OF ABUTMENTS, AND A TOTAL DECK WIDTH OF 75' 10". THE BRIDGE ROADWAY, COMPRISED OF TWO LANES IN EACH DIRECTION DIVIDED BY A BARRIER WALL, HAS A TOTAL COMBINED WIDTH OF 62' 0". THERE IS AN 8' 10" WIDE SIDEWALK ON THE SOUTH SIDE OF THE BRIDGE. THE BRIDGE CARRIES US 136 OVER THE MISSISSIPPI RIVER BETWEEN HAMILTON, ILLINOIS, AND KEOKUK, IOWA, AND WAS BUILT IN 1985 UNDER A CONTRACT MANAGED BY THE IOWA DEPARTMENT OF TRANSPORTATION.

THE EXISTING STEEL IS PAINTED WITH AN INORGANIC ZINC/VINYL PAINT SYSTEM.



**LONGITUDINAL SECTION ALONG C U.S. 136**



REVISIONS	
NAME	DATE

ILLINOIS DEPARTMENT OF TRANSPORTATION

**PLAN AND PROFILE**  
 FAP 315 (US 136)  
 SECTION 022BL  
 HANCOCK COUNTY