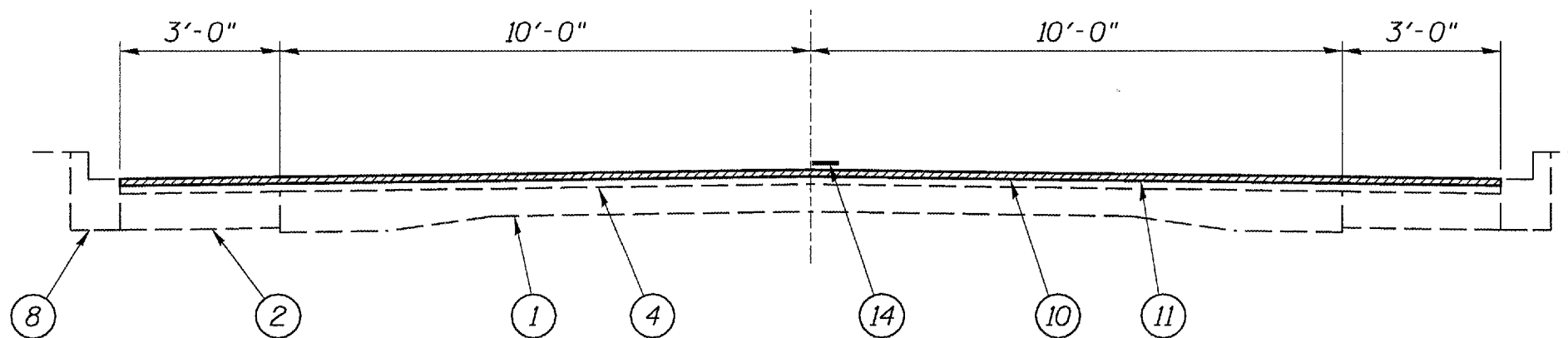


LOCATION #1  
STA. 15+70 TO 0+70



LOCATION #1  
STA. 0+70 TO 0+60  
STA. EQ. 0+60 bk=0+00 ah  
STA. 0+00 TO 32+70

LEGEND

- 1 - EXIST. P.C.C. PAVEMENT
- 2 - EXIST. P.C.C. WIDENING
- 3 - EXIST. H.M.A. SHOULDERS
- 4 - EXIST. H.M.A SURFACE
- 5 - EXIST. BRICK PAVEMENT
- 6 - EXIST. GUTTER
- 7 - EXIST. AGG. SHOULDER
- 8 - EXIST. CURB AND GUTTER
- 9 - EXIST. H.M.A. BASE COURSE
- 10 - PROP. H.M.A. SURFACE REMOVAL 1 1/2"
- 11 - PROP. H.M.A. SURFACE COURSE, MIX C, N50 1 1/2"
- 12 - PROP. POLY. H.M.A. SURFACE COURSE, MIX D, N70 1 1/2"
- 13 - PROP. AGG. SHOULDERS, TYPE B
- 14 - PROP. PAINT PAVMENT MARKING - LINE 5"

TYPICALS  
FAP 325(IL 16), FAU 7935(IL 29), FAP 322(US 51)  
SECTION D-6 PANA CNTR MAINT RES 2008  
CHRISTIAN COUNTY