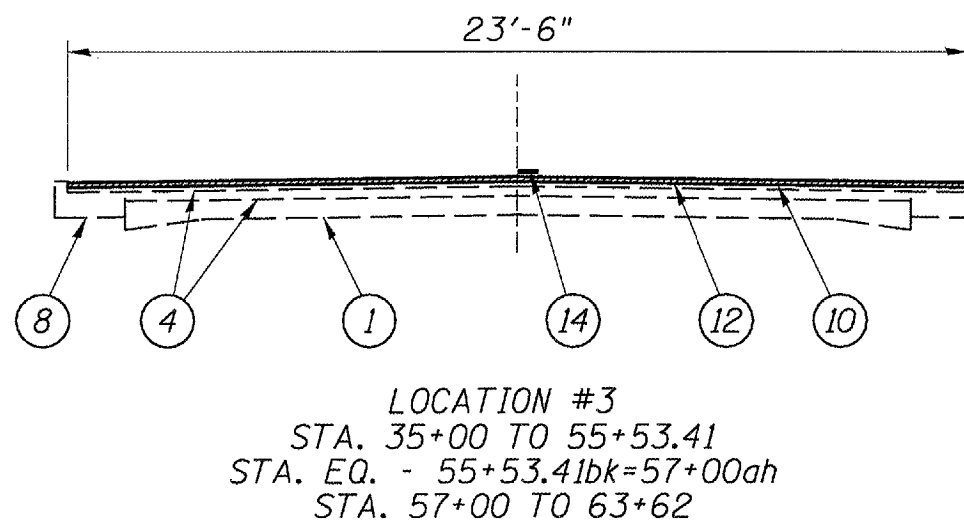
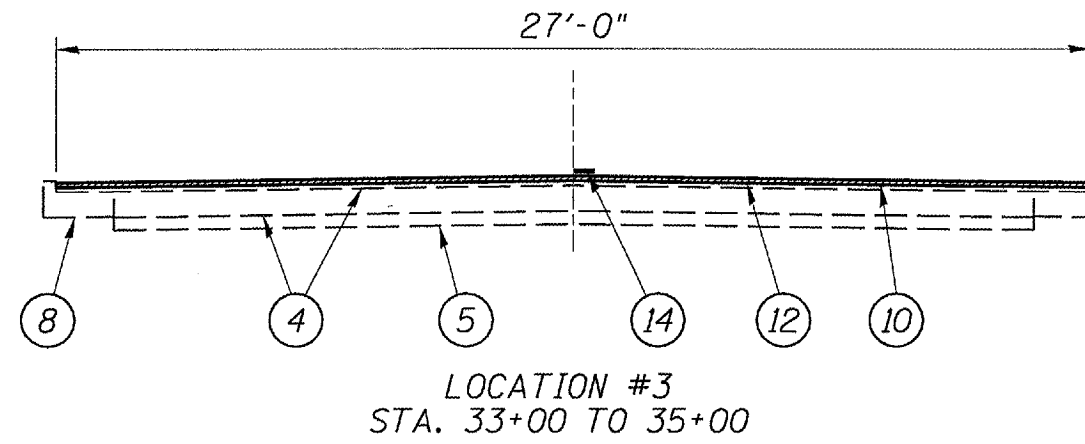


* STA. 31+50 TO 32+00 MILLING AND RESURFACING TAPERS FROM 36'-0" WIDE TO 27'-0" WIDE



LEGEND

- 1 - EXIST. P.C.C. PAVEMENT
- 2 - EXIST. P.C.C. WIDENING
- 3 - EXIST. H.M.A. SHOULDERS
- 4 - EXIST. H.M.A SURFACE
- 5 - EXIST. BRICK PAVEMENT
- 6 - EXIST. GUTTER
- 7 - EXIST. AGG. SHOULDER
- 8 - EXIST. CURB AND GUTTER
- 9 - EXIST. H.M.A. BASE COURSE
- 10 - PROP. H.M.A. SURFACE REMOVAL 1 1/2"
- 11 - PROP. H.M.A. SURFACE COURSE, MIX C, N50 1 1/2"
- 12 - PROP. POLY H.M.A. SURFACE COURSE, MIX D, N70 1 1/2"
- 13 - PROP. AGG. SHOULDERS, TYPE B
- 14 - PROP. PAINT PAVMENT MARKING - LINE 5"

TYPICALS
FAP 325(IL 16), FAU 7935(IL 29), FAP 322(US 51)
SECTION D-6 PANA CNTR MAINT RES 2008
CHRISTIAN COUNTY