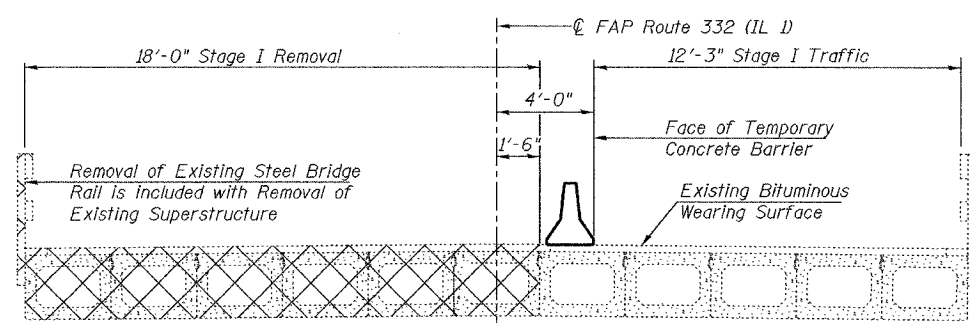


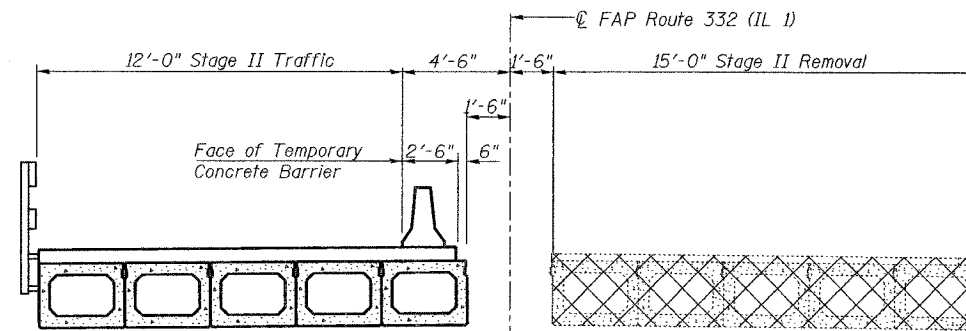
ROUTE NO.	SECTION	COUNTY	TOTAL SHEETS	SHEET NO.	SHEET NO. 2 11 SHEETS
FAP 332	101B-1	WABASH	34	19	
FED. ROAD DIST. NO. 7		ILLINOIS	FED. AID PROJECT		

Contract # 74003

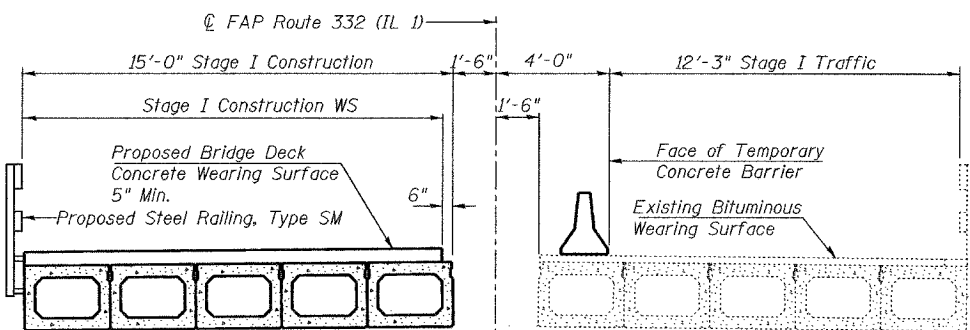
Removal of Existing Steel Bridge Rail is included with Removal of Existing Superstructure



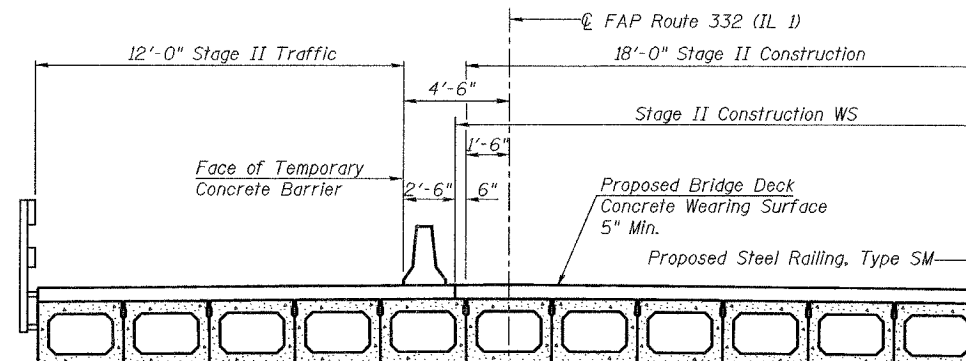
**STAGE I REMOVAL**  
(Looking Northeast)



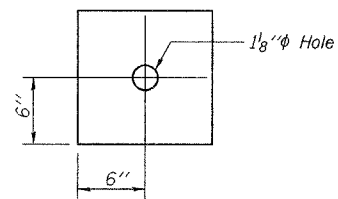
**STAGE II REMOVAL**  
(Looking Northeast)



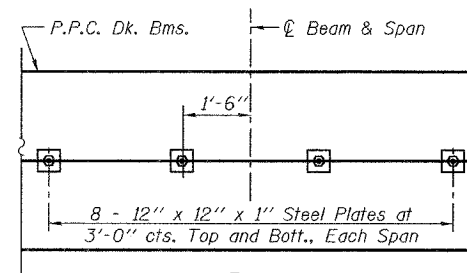
**STAGE I CONSTRUCTION**  
(Looking Northeast)



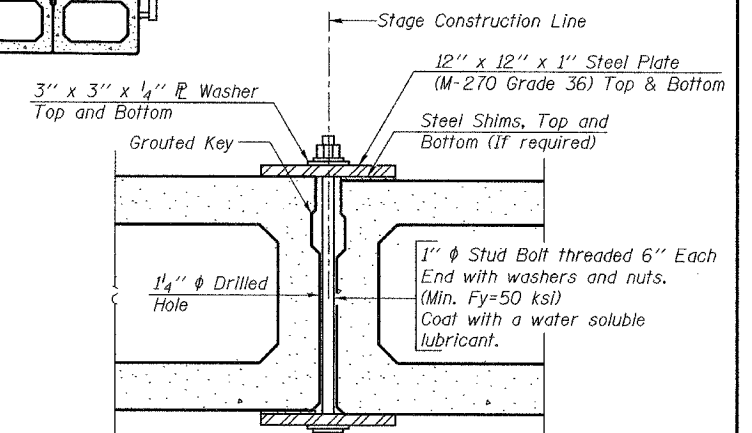
**STAGE II CONSTRUCTION**  
(Looking Northeast)



**CLAMPING PLATE**



**PLAN**



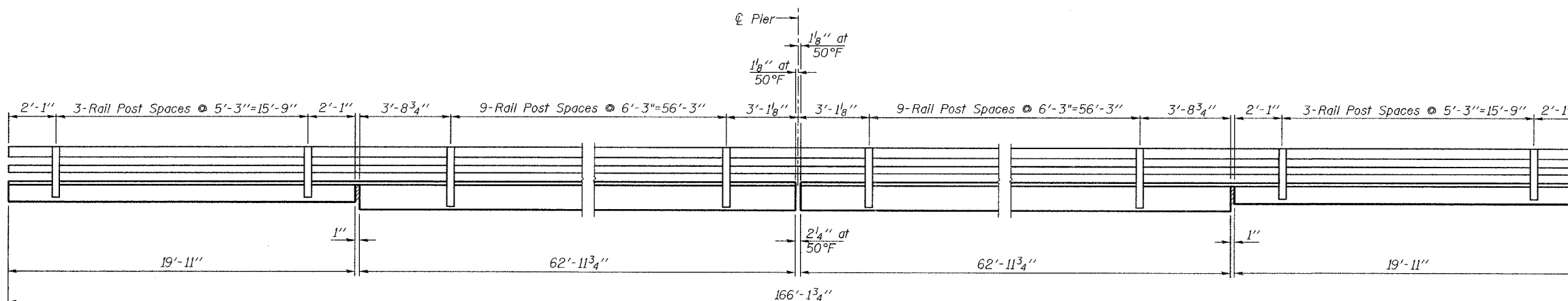
**SECTION**

**SHEAR KEY CLAMPING DETAILS AT STAGE CONST. JT.**

Cost of clamping device included in the cost of Precast Prestressed Concrete Deck Beams.

**NOTES**

Cross Hatched areas indicate Removal of Existing Superstructures. See Roadway plans for quantity of Temporary Concrete Barrier.



**RAILING ELEVATION**

ILLINOIS DEPARTMENT OF TRANSPORTATION	
SHEET TITLE	
STAGED CONSTRUCTION	
PROJECT	FAP 332 OVER BONPAS CREEK
PROJECT NO.	06026
SCALE	
DATE	03/15/07
DRAWN BY	TFG
CHECKED BY	CB/CME/MCB
DRAWING NO.	
COOMBE-BLOXDORF P.C.	
Engineers / Land Surveyors	
Springfield, Illinois	
Design Firm License No. 184-002703	
2	OF 11 SHTS.

DATE = 03/15/2007  
 PLOT SCALE = 1/8" = 1' / IN.  
 USER NAME = TFG.