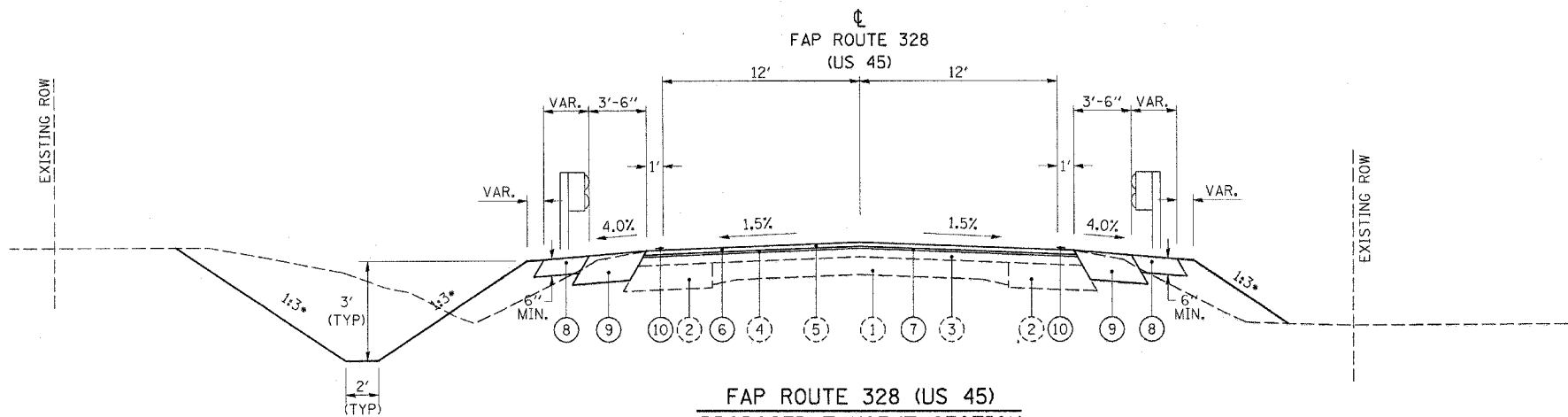


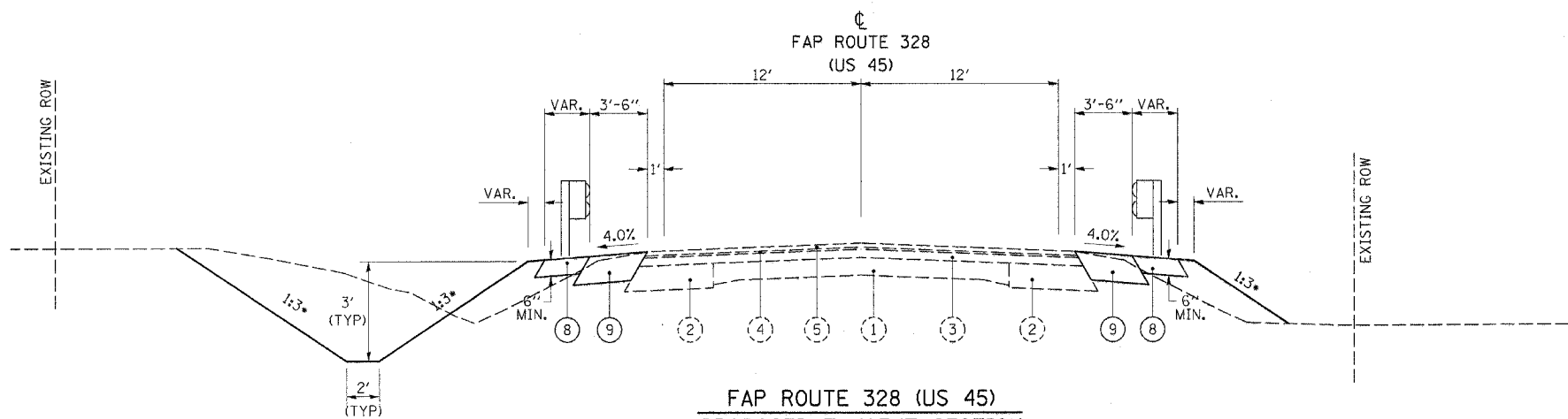
F.A.P. RTE.	SECTION	COUNTY	TOTAL SHEETS	SHEET NO.
328	(8BR-1)B-1	WAYNE	39	8
STA.		TO STA.		
FED. ROAD DIST. NO.		ILLINOIS FED. AID PROJECT		



**FAP ROUTE 328 (US 45)  
PROPOSED TANGENT SECTION**

- TO APPLY -  
STA 719+01.59 TO STA 720+24.59  
BRIDGE OMISSION  
STA 719+21.59 TO STA 720+04.59

\* OR AS SHOWN ON CROSS SECTIONS



**FAP ROUTE 328 (US 45)  
PROPOSED TANGENT SECTION**

- TO APPLY -  
STA 717+19.95 LT TO STA 719+01.59 LT  
STA 717+43.80 RT TO STA 719+01.59 RT  
STA 720+24.59 LT TO STA 723+08.63 LT  
STA 720+24.59 RT TO STA 722+06.52 RT

**MATERIALS LEGEND**

- ① EXISTING PCC PAVEMENT
- ② EXISTING WIDENING
- ③ EXISTING HOT-MIX ASPHALT BINDER (VARIABLE DEPTH)
- ④ EXISTING HOT-MIX ASPHALT LEVELING BINDER (MACHINE METHOD) TYPE 2, 3/4"
- ⑤ EXISTING HOT-MIX ASPHALT SURFACE COURSE, MIXTURE D, CLASS 1, TYPE 2, 1 1/2"
- ⑥ PROPOSED HOT-MIX ASPHALT SURFACE COURSE, MIXTURE "C", N70, (1 1/2")
- ⑦ PROPOSED HOT-MIX ASPHALT BINDER COURSE, IL-19.0, N70, (3/4")
- ⑧ PROPOSED HOT-MIX ASPHALT SHOULDERS, 6"
- ⑨ PROPOSED BASE COURSE WIDENING, 10"
- ⑩ PROPOSED PAVEMENT MARKING

REVISIONS	
NAME	DATE

ILLINOIS DEPARTMENT OF TRANSPORTATION

**TYPICAL SECTIONS  
US 45**

SCALE: VERT. N/A  
HORIZ. N/A  
DATE 06/20/07

DRAWN BY KMO  
CHECKED BY SSM