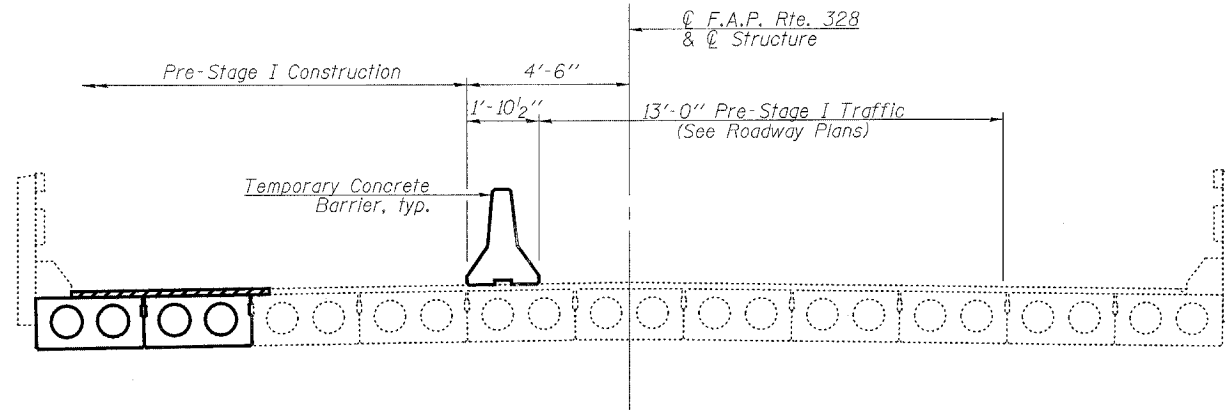


STATE OF ILLINOIS  
DEPARTMENT OF TRANSPORTATION

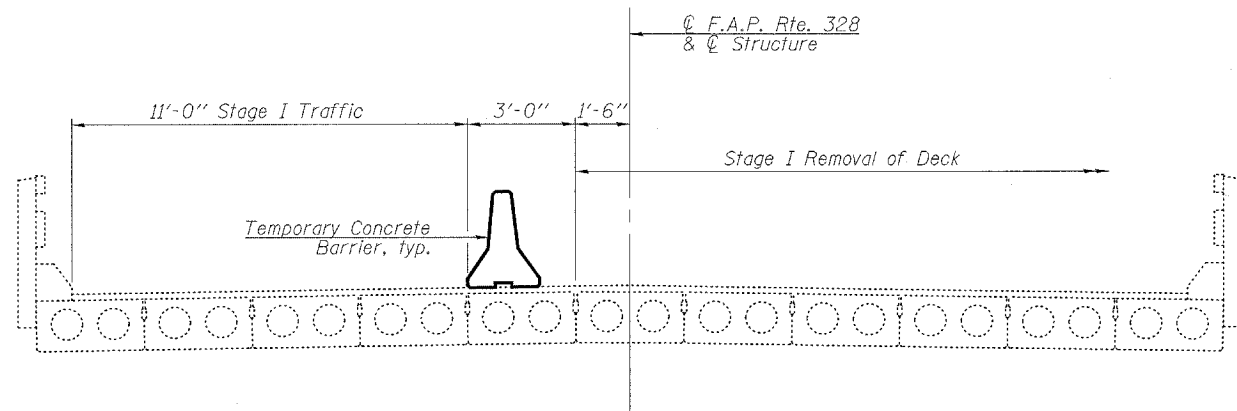
ROUTE NO.	SECTION	COUNTY	TOTAL SHEETS	SHEET NO.
F.A.P. 328	(8BR-1) B-1	WAYNE	39	18
FED. ROAD DIST. NO. 7	ILLINOIS	FED. AID PROJECT-		

SHEET NO. 2  
13 SHEETS

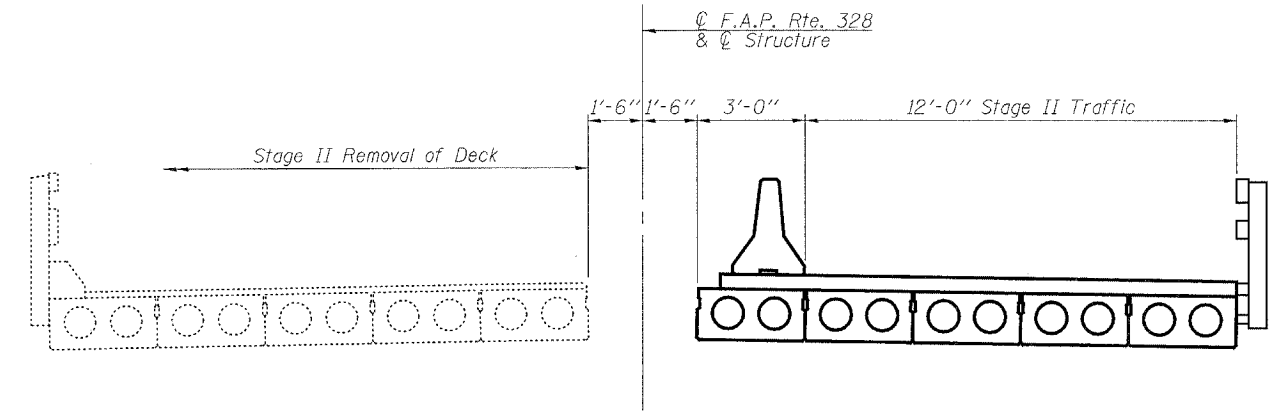
Contract #74041



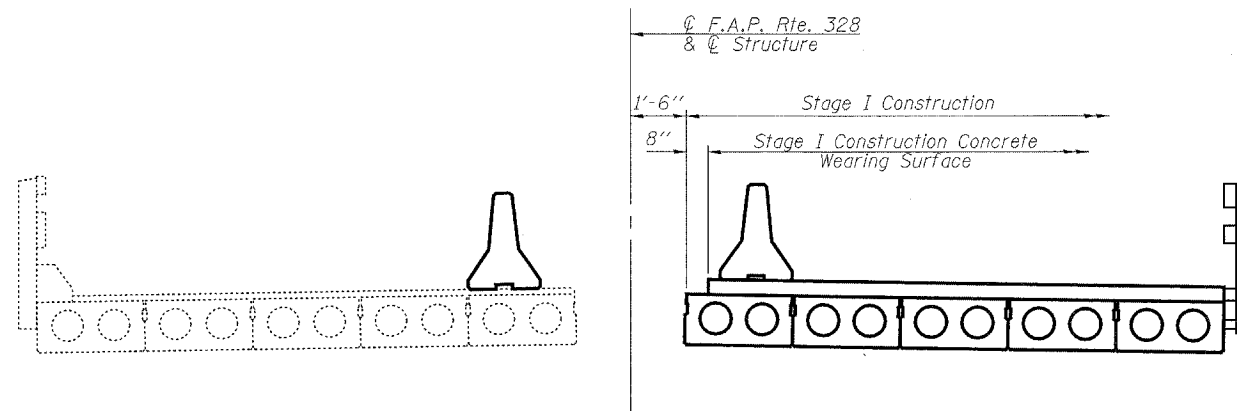
PRE-STAGE I CONSTRUCTION



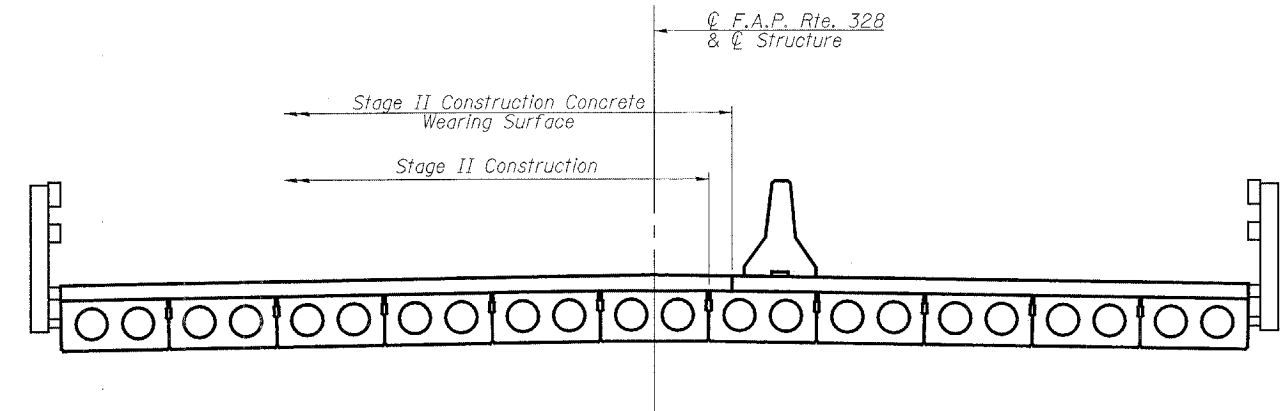
STAGE I REMOVAL



STAGE II REMOVAL



STAGE I CONSTRUCTION



STAGE II CONSTRUCTION

DESIGNED	JJD
CHECKED	EML
DRAWN	JJD
CHECKED	EML

Notes:  
All sections are looking North.  
For quantity of Temporary Concrete Barrier, see roadway plans.  
For details of Temporary Concrete Barrier, see sheet 3 of 13.

**HORNER & SHIFRIN, INC.**  
ENGINEERS

STAGE CONSTRUCTION DETAILS  
F.A.P. ROUTE 328 - SECTION (8BR-1)B-1  
WAYNE COUNTY  
STATION 719+63.09  
STRUCTURE NO. 096-0020