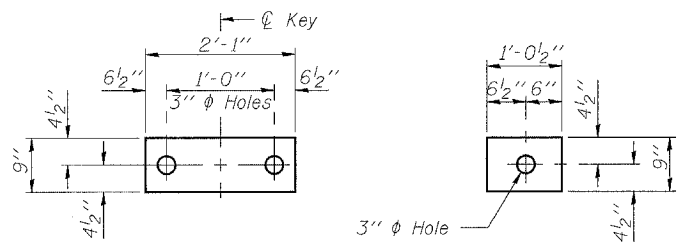


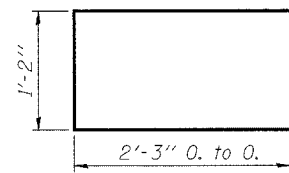
STATE OF ILLINOIS
DEPARTMENT OF TRANSPORTATION

ROUTE NO.	SECTION	COUNTY	TOTAL SHEETS	SHEET NO.	SHEET NO. 12
F.A.P. 328	(8BR-1) B-1	WAYNE	39	28	13 SHEETS
FED. ROAD DIST. NO. 7	ILLINOIS	FED. AID PROJECT-			

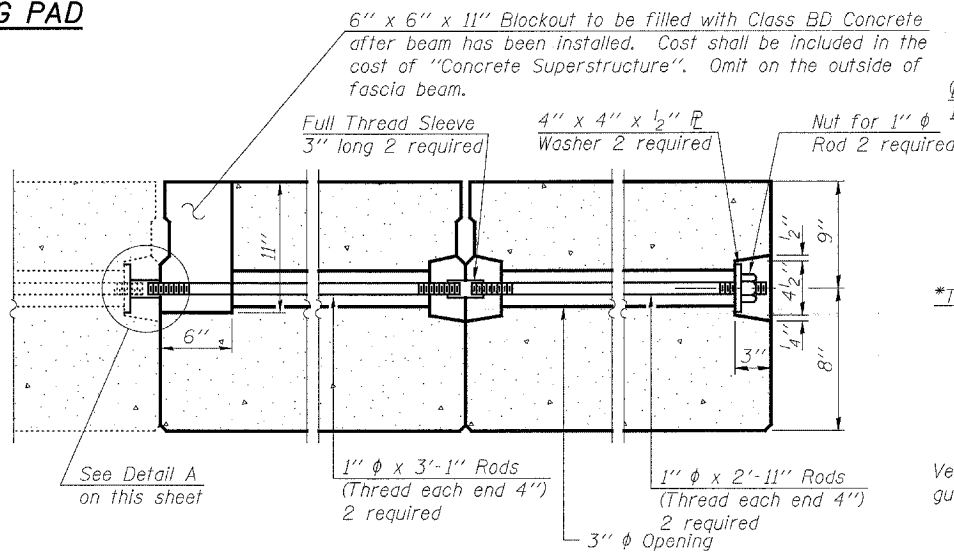
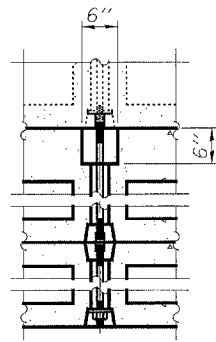


FABRIC BEARING PAD (Interior) **FABRIC BEARING PAD** (Exterior)

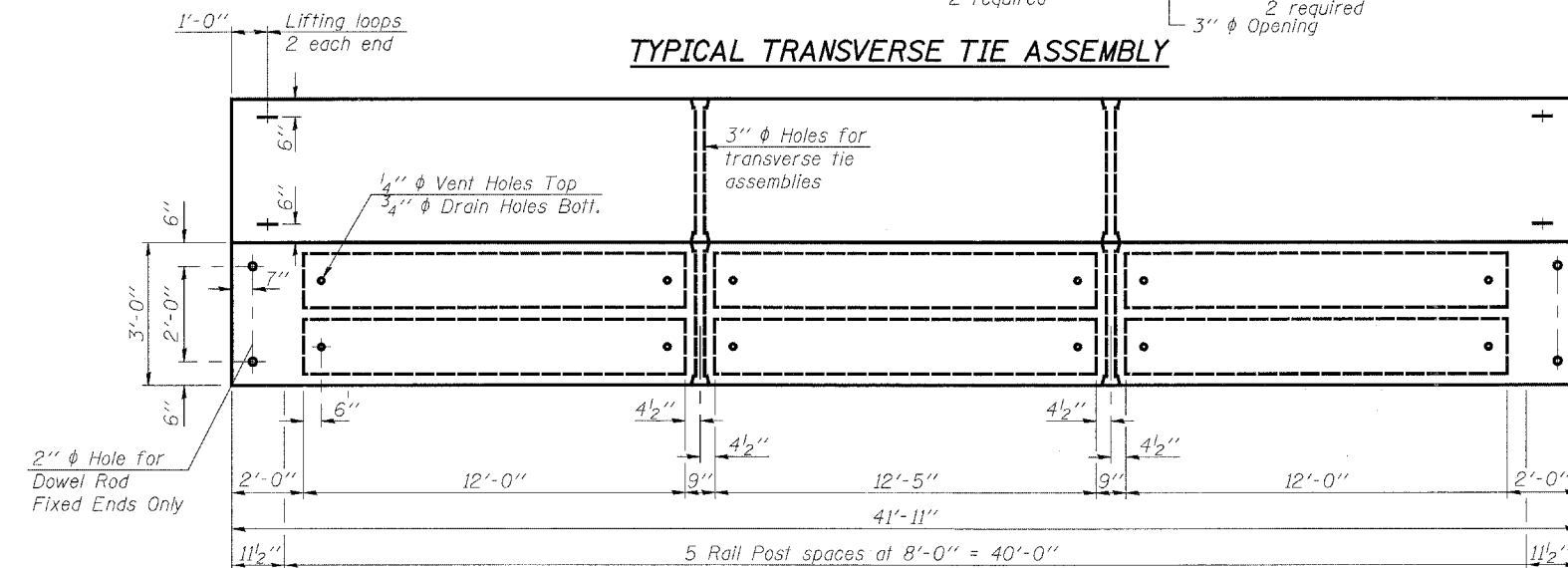
FIXED



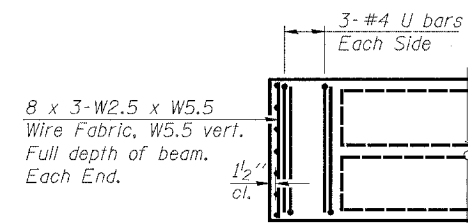
BAR U



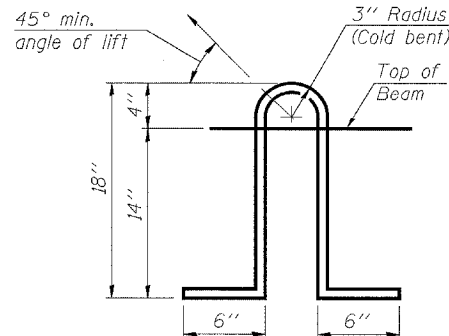
TYPICAL TRANSVERSE TIE ASSEMBLY



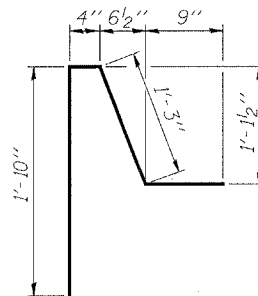
PLAN



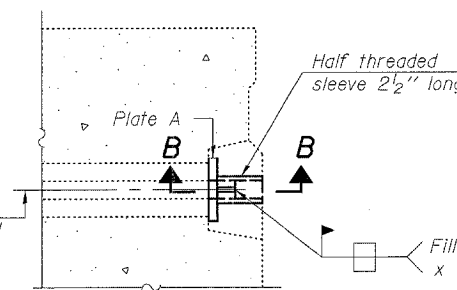
END PLAN



LIFTING LOOP DETAIL



BAR D

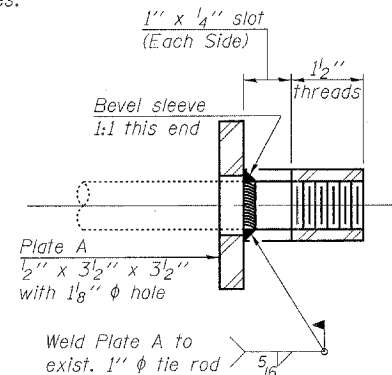


DETAIL A

*Transverse Strand Placement Guidelines

1. Place strands symmetrically about centerline of beam.
2. The minimum distance from center to center of strands in all directions shall be 2".
3. The minimum clearance from strand to dowel hole shall be 1/2".
4. The minimum clearance from strand to void shall be 1/2".

Vertical placement of strands shall not be adjusted to satisfy the above guidelines.



SECTION B-B

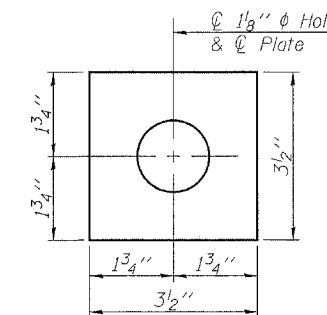
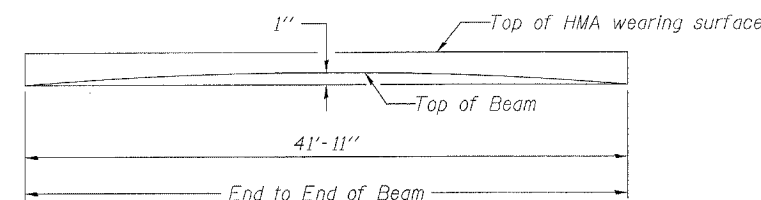
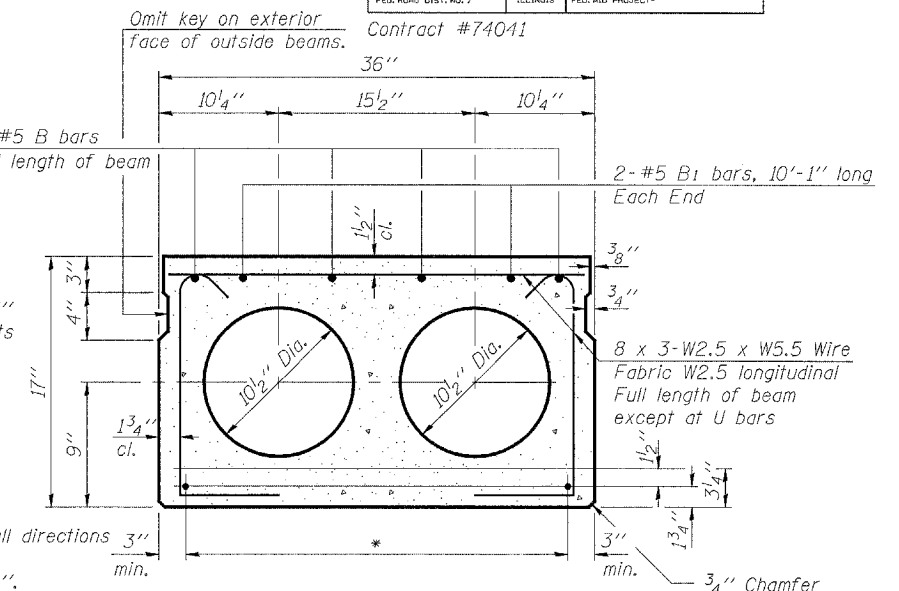


PLATE A

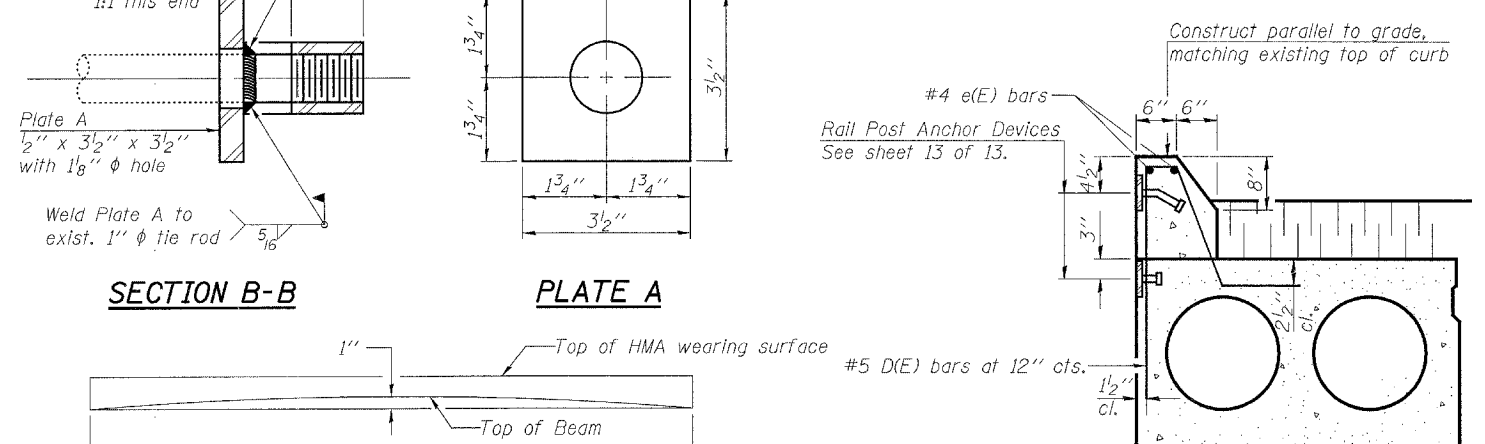


ANTICIPATED INITIAL CAMBER DIAGRAM



TYPICAL SECTION

1/2" ϕ Strands, Each Strand Stressed to 30,900 Lbs.
9-Strands 1 3/4" up, 4-Strands 3/4" up, 2-Strands 12" up



SECTION THRU CURB

NOTES

Prestressing steel shall be uncoated high strength, low relaxation 7-wire strand, Grade 270. The nominal diameter shall be 1/2" and the nominal cross-sectional area shall be 0.153 sq. in. Lifting loops shall be 2-1/2" ϕ -270 ksi strands, as shown. The 1" ϕ rods in the transverse tie assembly shall be tightened to a snug fit and the threads set. Non prestressing steel shall conform to ASTM A 706 (IL MOD), Grade 60. The bearing seat surfaces shall be adjusted by shimming to assure firm and even bearing. Two 1/8" fabric adjusting shims of the dimensions of the Exterior Bearing Pad shall be provided for each bearing. Keyway surfaces shall be cleaned to remove form oil or other bond breaking material prior to shipment of the beams. Cleaning shall be done by sandblasting the keyway areas between top of the beam and the bottom edge of the key. Corrosion Inhibitor, per Article 1020.05(b)(12) of the Standard Specifications, shall be used in the concrete for precast prestressed concrete deck beams. Required Release Strength, f'ci, shall be 4,000 p.s.i. See sheet 13 of 13 for rail anchor device to be cast in precast beams. See sheet 7 of 13 for Shear Key Clamping Details at Stage Const. Jf.

BILL OF MATERIAL

Bar	No.	Size	Length	Shape
e(E)	2	#4	41'-8"	
Concrete Superstructure			Cu. Yd.	1.6
Reinforcement Bars, Epoxy Coated			Pound	60
Precast Prestressed Concrete Deck Beams (17" Depth) Special			Sq. Ft.	252

PRE-STAGE I DETAILS II
F.A.P. ROUTE 328 - SECTION (8BR-1)B-1
WAYNE COUNTY
STATION 719+63.09
STRUCTURE NO. 096-0020

HORNER & SHIFRIN, INC.
ENGINEERS

DESIGNED	JJD
CHECKED	EML
DRAWN	KLH
CHECKED	EML