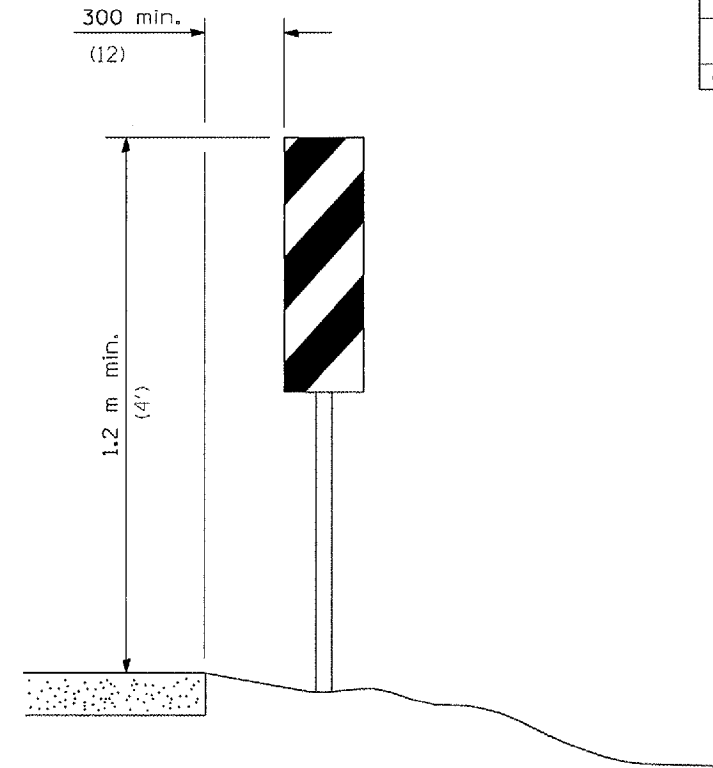
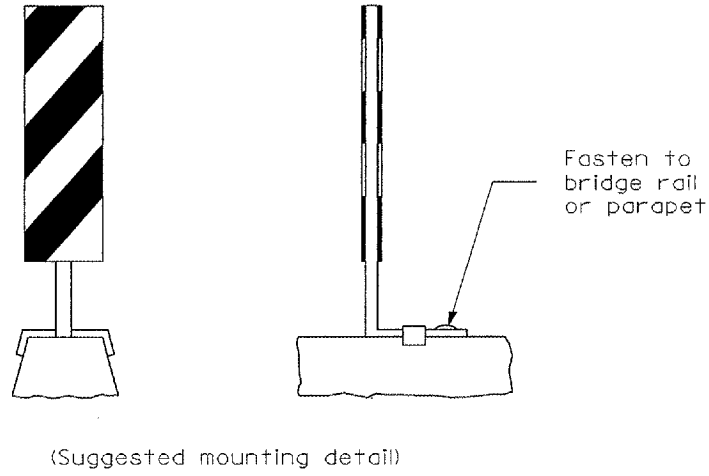
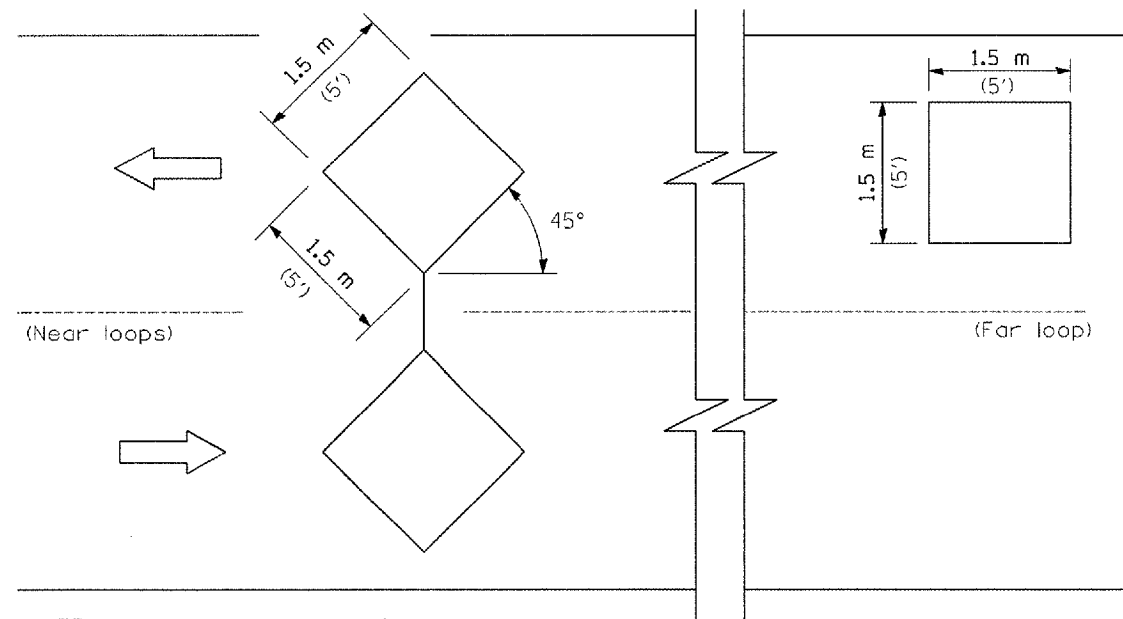


CONTRACT NO. 78011				
ROUTE NO.	SECTION	COUNTY	TOTAL SHEETS	SHEET NO.
FA 885	5I-1	HARDIN	11	11
FED. ROAD DIST. NO. 7		FUNDS	FED. AID PROJECT	

FOR INFORMATION ONLY



VERTICAL PANELS



NOTE: Near loops centered in lane.

INDUCTION LOOP DETECTOR (TYPICAL)

(See traffic control plan for placement)

SEQUENCE OF OPERATIONS						
PHASE	A			B		
INTERVAL	1	2	3	4	5	6
NORTHBOUND OR EASTBOUND	G	Y	R	R	R	R
SOUTHBOUND OR WESTBOUND	R	R	R	G	Y	R

All dimensions are in millimeters (inches) unless otherwise shown.

LANE CLOSURE, 2L, 2W,
BRIDGE REPAIR,
FOR SPEEDS \geq 45 MPH
(Sheet 2 of 2)

STANDARD 701316-03