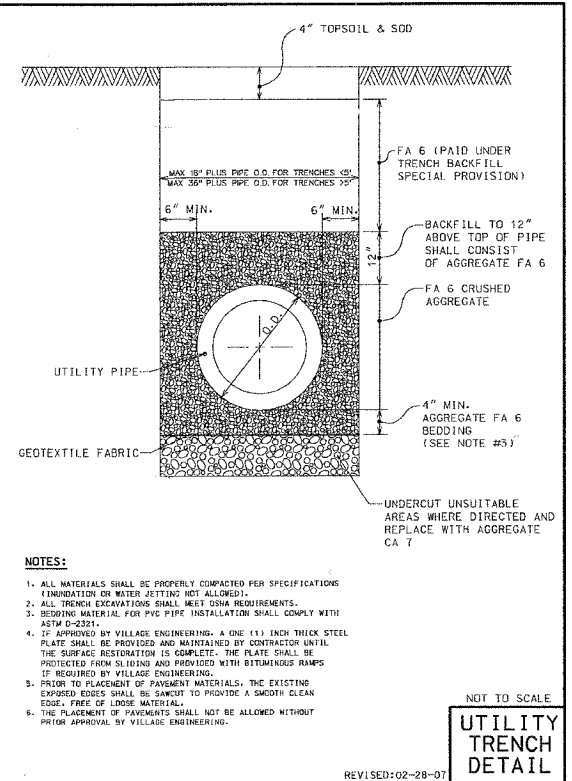
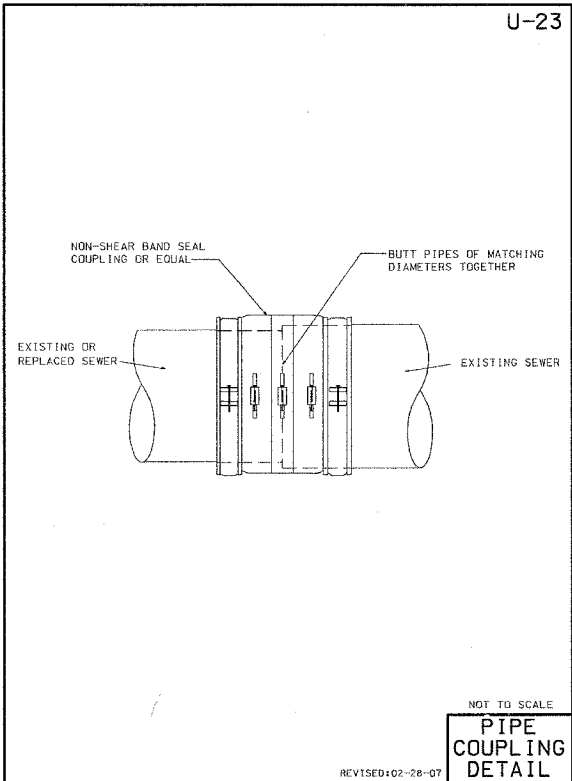
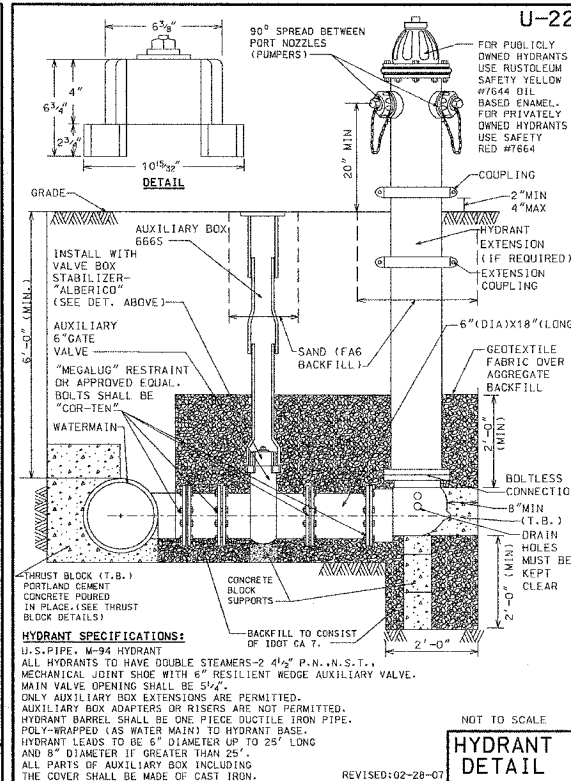
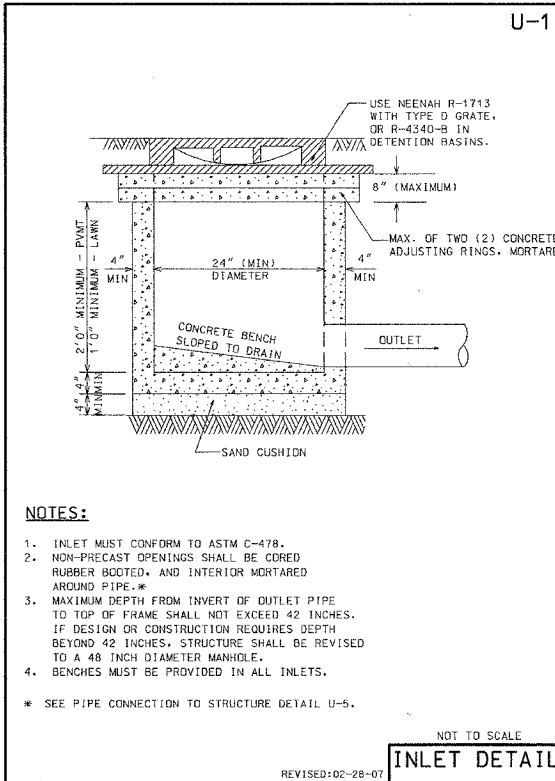
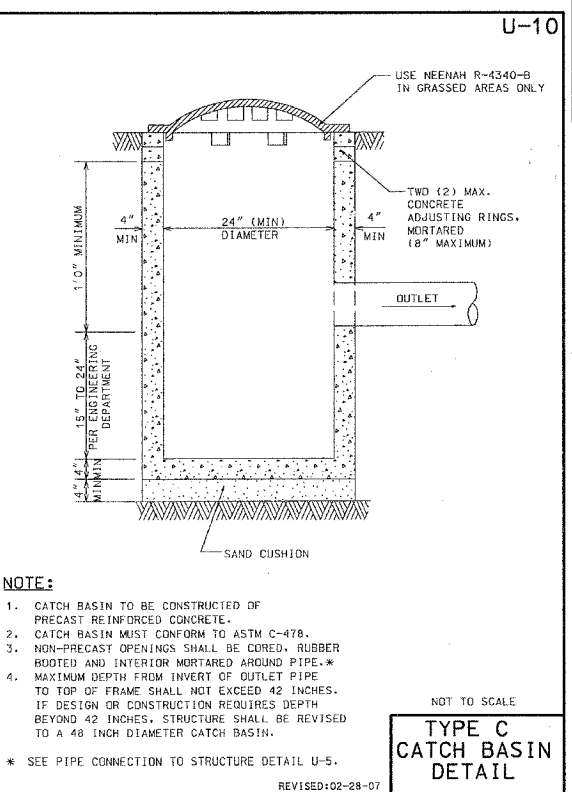
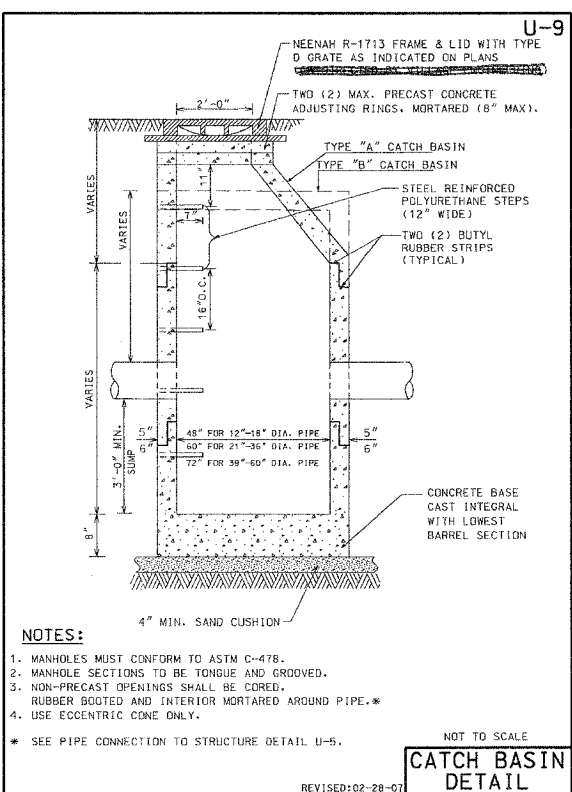
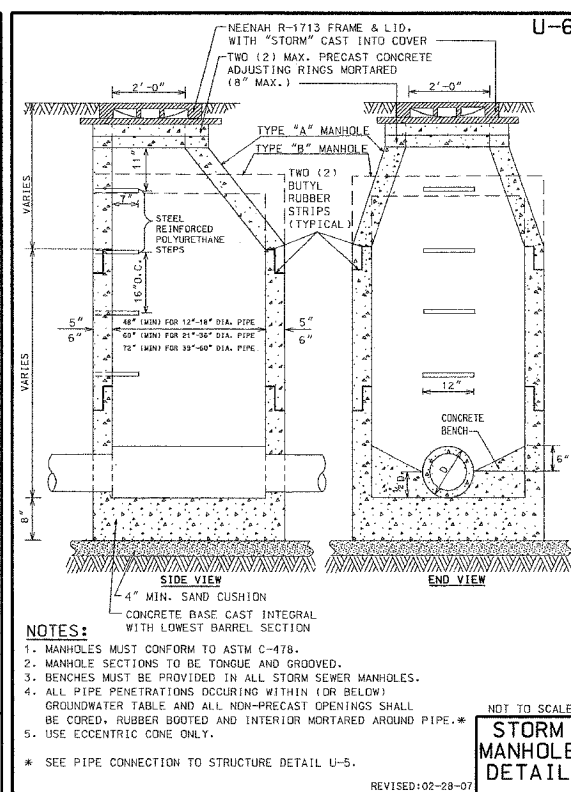
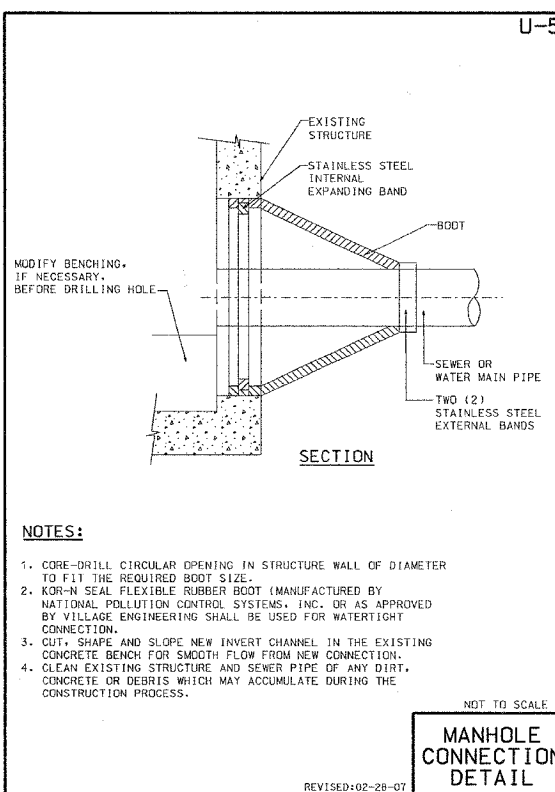


SECTION	COUNTY	TOTAL SHEETS	SHEET NO.
123	07-00165-00-SW	COOK	7
PROJECT NUMBER		CMM-8003 (818)	
CONTRACT NUMBER		83922	



WAGNER ROAD SIDEWALK IMPROVEMENTS			SHEET
GLENVIEW, ILLINOIS			6
CONSTRUCTION DETAILS			OF 7
DATE	BY	REVISION	DATE 03-22-07
05-14-07	E.L.	IDOT COMMENTS	
04-02-07	E.L.	IDOT COMMENTS	