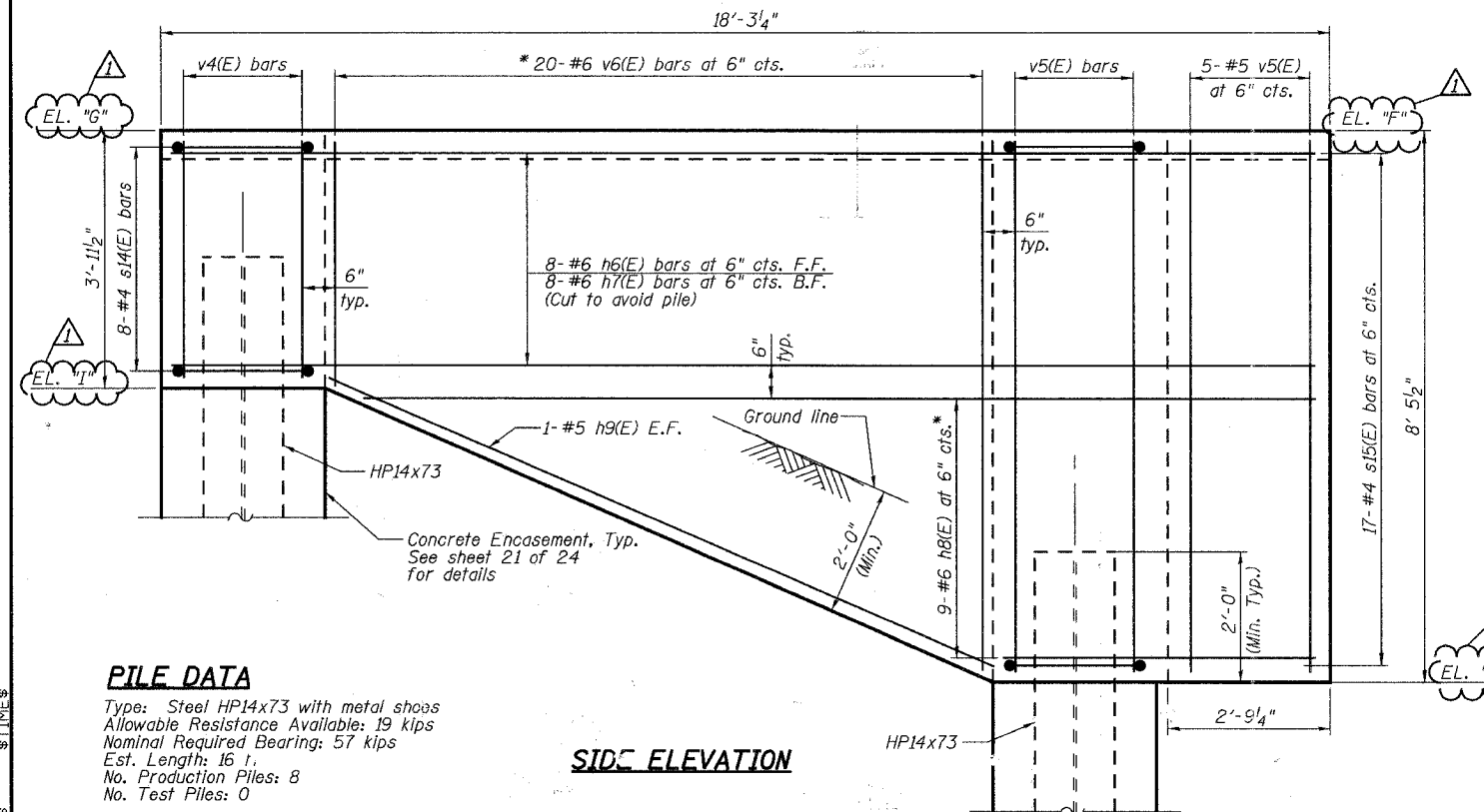


STATE OF ILLINOIS
DEPARTMENT OF TRANSPORTATION

ROUTE NO.	SECTION	COUNTY	TOTAL SHEETS	SHEET NO.
F.A.U. 3887	06-00214-06-BR	KANE	55	31
FED. ROAD DIST. NO. 7 ILLINOIS		FED. AID PROJECT		

CONTRACT NO. 83923

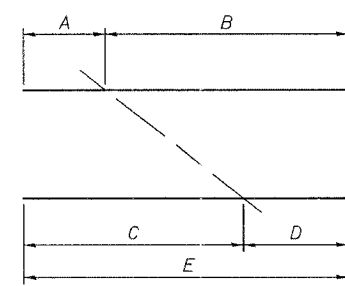
SHEET NO. 16
25 SHEETS



PILE DATA

Type: Steel HP14x73 with metal shoes
Allowable Resistance Available: 19 kips
Nominal Required Bearing: 57 kips
Est. Length: 16 l.
No. Production Piles: 8
No. Test Piles: 0

SIDE ELEVATION



BAR LENGTHS

Bar	A	B	C	D	E	F	G
v6(E)	3'-4"	7'-5"	7'-5"	3'-4"	10'-9"	20	4
h8(E)	2'-6"	11'-11"	11'-9"	2'-8"	14'-5"	9	4

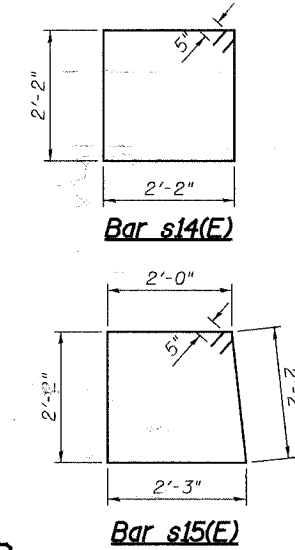
F=No. of bars
G=No. of sets

* Order v6(E) & h8(E) bars full length. Cut to fit as shown and use remainder of bars in other face.
h8(E) B and D lengths are to be used in the front face.

FIELD CUTTING DIAGRAM

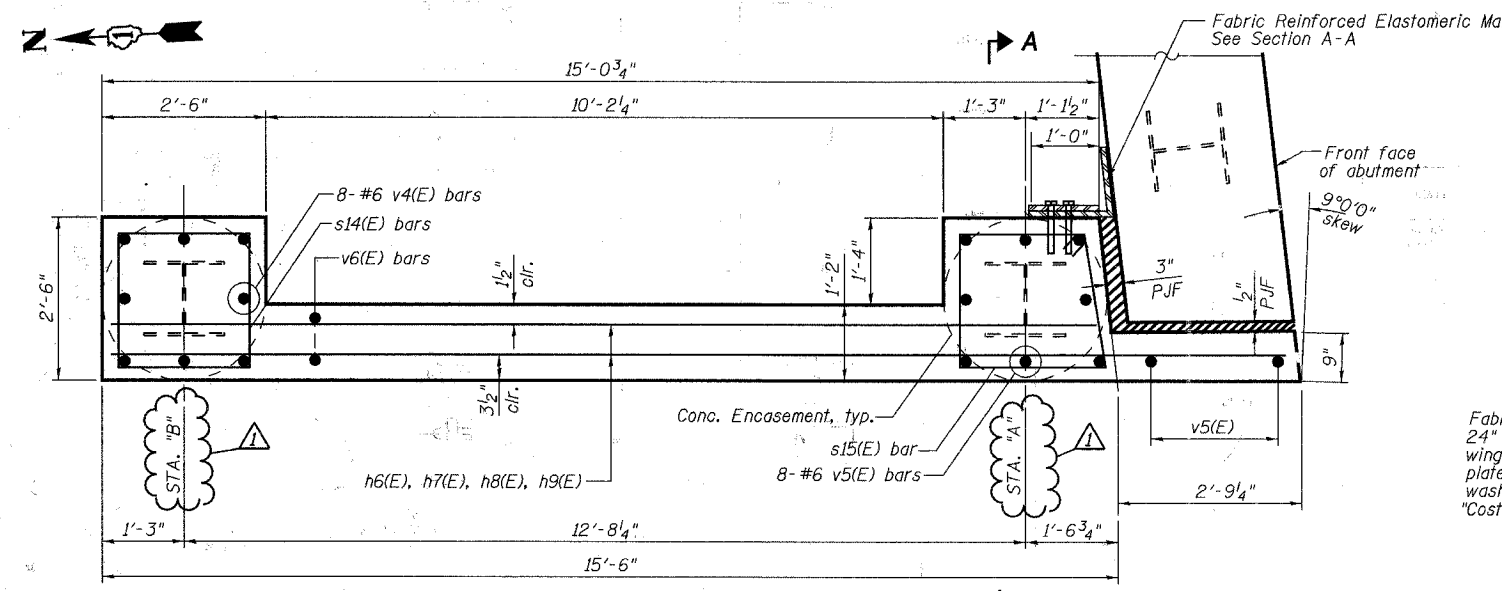
WINGWALL ELEVATION TABLE

Location	El. "F"	El. "G"	El. "H"	El. "I"
NW	760.63	761.01	752.17	757.05
NE	761.99	762.47	753.53	758.51
SW	756.60	756.24	748.14	752.28
SE	758.10	757.86	749.64	753.90



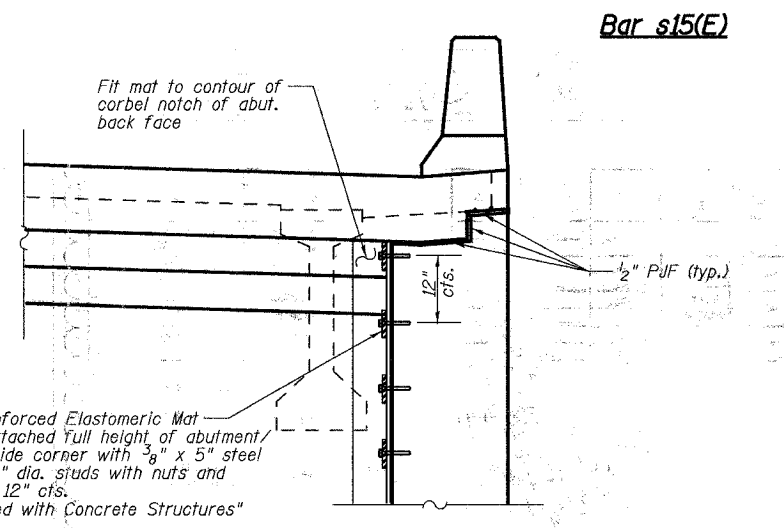
**** BILL OF MATERIAL**

Bar	No.	Size	Length	Shape
b3(E)	12	#5	15'-3"	
d(E)	68	#5	5'-7"	
d1(E)	68	#5	8'-4"	
e11(E)	6	#4	15'-0"	
e14(E)	10	#4	15'-6"	
e15(E)	6	#4	15'-5"	
e16(E)	2	#8	15'-4"	
e17(E)	10	#4	14'-11"	
e18(E)	2	#8	15'-1"	
h6(E)	32	#6	17'-7"	
h7(E)	32	#6	17'-5"	
h8(E)	36	#6	16'-11"	
h9(E)	8	#6	11'-3"	
s14(E)	32	#4	9'-6"	
s15(E)	68	#4	9'-5"	
v4(E)	32	#6	3'-7"	
v5(E)	52	#6	8'-1"	
v6(E)	80	#6	11'-7"	
Structure Excavation			Cu. Yd.	100
Concrete Structures			Cu. Yd.	33.1
Concrete Encasement			Cu. Yd.	4.4
Reinforcement Bars, Epoxy Coated			Pound	7,230
Furnishing Steel Piles HP14x73			Foot	128
Driving Piles			Foot	128
Pile Shoes			Each	8



PLAN

The NW Wingwall is shown
The Wingwalls at other 3 Locations are similar.



SECTION A-A

- Notes:
- See sheet 18 of 25 for Architectural Form Liner Surface and Staining Concrete Surface Details.
 - See sheet 17 of 25 for section through the wall.

STATIONING OF PILES

Location	STA.. "A"	STA.. "B"
NW	112+81.97	112+68.82
NE	112+77.08	112+64.49
SW	114+55.76	114+68.23
SE	114+46.01	114+58.63

DESIGNED	ASL
CHECKED	NPP
DRAWN	DYS
CHECKED	NPP

URS
100 South Wacker Drive,
Suite 500
Chicago, IL 60606
(312) 939-1000

REVISIONS

NAME	DATE
REVISION	7/12/07

ILLINOIS DEPARTMENT OF TRANSPORTATION
ILLINOIS ROUTE 31 OVER NEW STEARNS ROAD
KANE COUNTY
**ABUTMENT WINGWALL
DETAILS**
F.A.U. 3887
STATION 113+61.11
SCALE:
SECTION 06-00214-06-BR
STRUCTURE NO. 045-2031
DATE: 00/00/2007