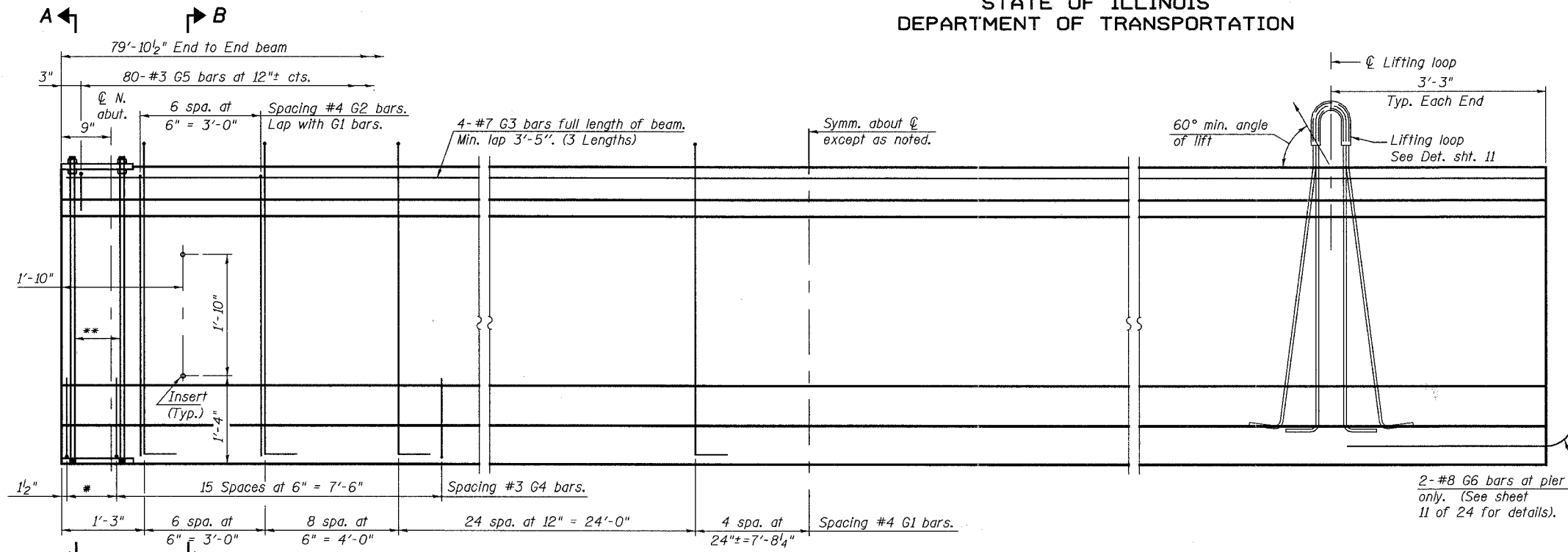


STATE OF ILLINOIS
DEPARTMENT OF TRANSPORTATION

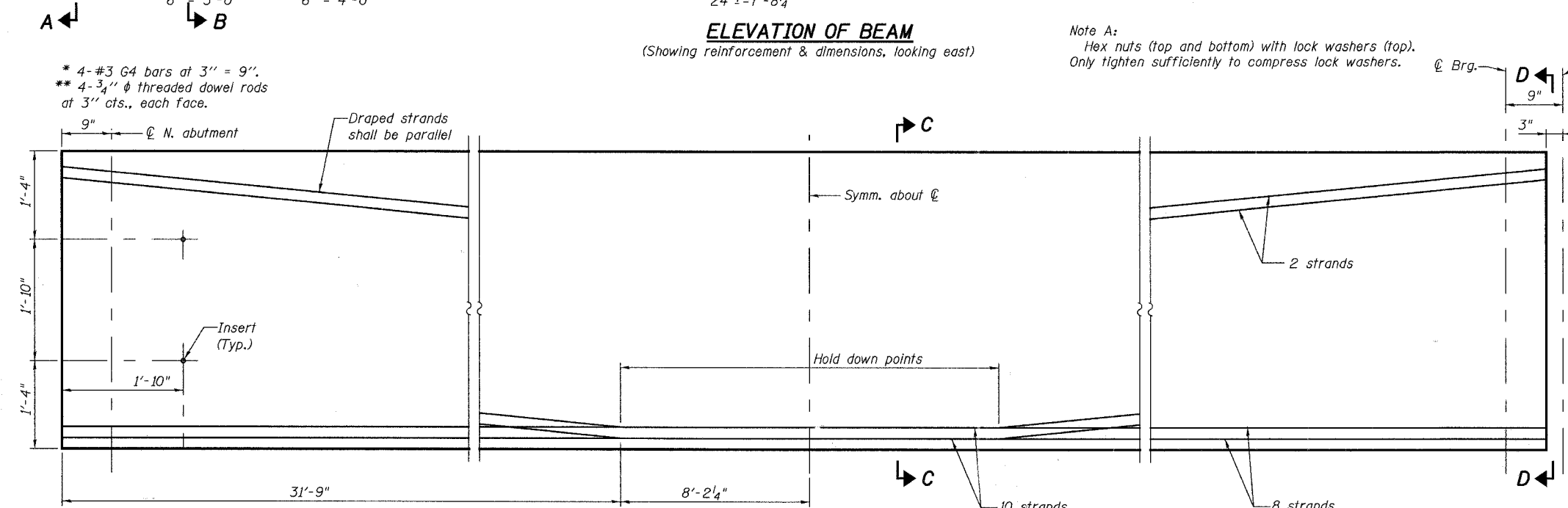
ROUTE NO.	SECTION	COUNTY	TOTAL SHEETS	SHEET NO.	SHEET NO. 9 25 SHEETS
F.A.U. 3887	06-00214-06-BR	KANE	55	24	
FED. ROAD DIST. NO. 7 ILLINOIS FED. AID PROJECT- CONTRACT NO. 83923					



ELEVATION OF BEAM

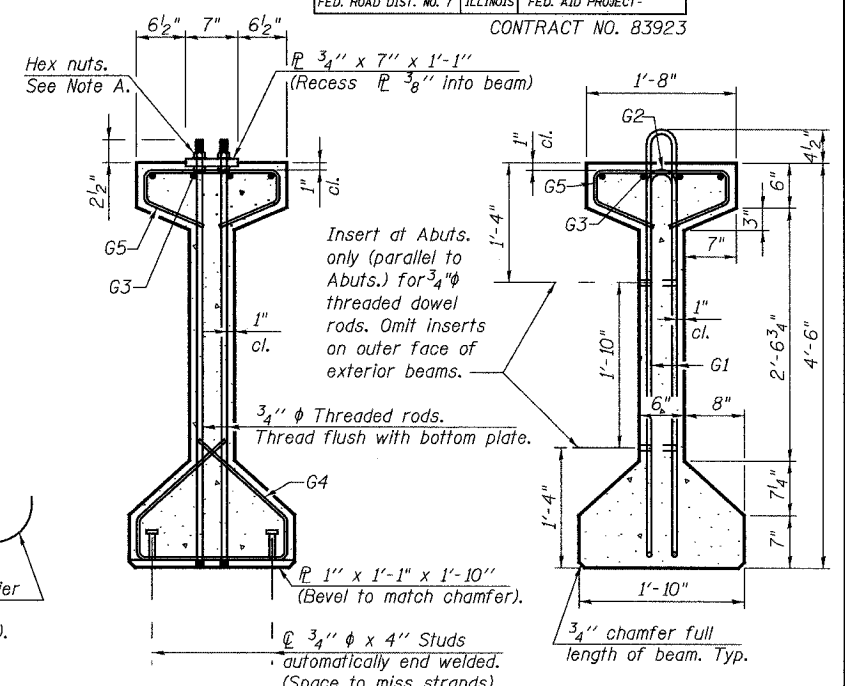
(Showing reinforcement & dimensions, looking east)

Note A:
Hex nuts (top and bottom) with lock washers (top).
Only tighten sufficiently to compress lock washers.



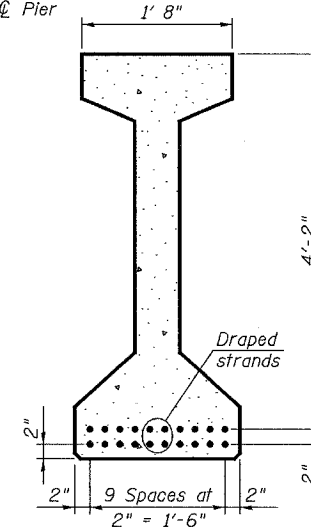
ELEVATION OF BEAM

(Showing prestressing steel)



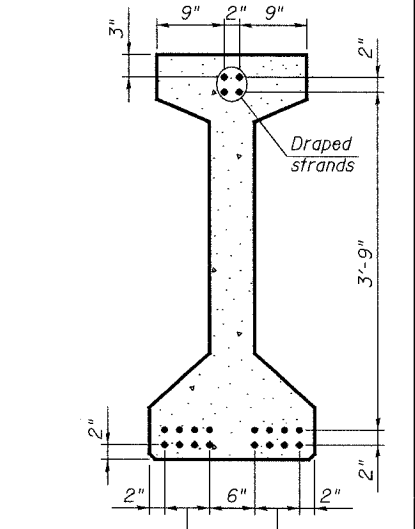
SECTION A-A

SECTION B-B



SECTION C-C

(between hold down points)



SECTION D-D

(at end of beam)

- Notes:
- See sheet 11 of 25 for additional details and Bill of Material.
 - Required release strength, f'_{ci} , shall be 5,000 psi.
 - See sheet 18 of 25 for Staining Concrete Structures details.
 - Provide a minimum of 4 inserts in the web of fascia beams to support sign structures. The location and size will be as determined by the Engineer. The cost of inserts is included with Furnishing and Erecting Precast Prestressed Concrete I-Beams, 54 In.

***** BAR LIST
ONE BEAM ONLY**

Bar	No.	Size	Length	Shape
G1	85	#4	10'-5"	∩L
G2	14	#4	8'-8"	∩
G3	12	#7	32'-4"	—
G4	38	#3	4'-11"	∩
G5	80	#3	3'-5"	∩
G6	2	#8	3'-9"	∩

*** For information only

DESIGNED	ASL
CHECKED	NPP
DRAWN	SOI
CHECKED	NPP

PI-4-54 12-21-06

URS
100 South Wacker Drive,
Suite 500
Chicago, IL 60606
(312) 939-1000

REVISIONS	
NAME	DATE

ILLINOIS DEPARTMENT OF TRANSPORTATION
ILLINOIS ROUTE 31 OVER NEW STEARNS ROAD
KANE COUNTY
**PPC I-BEAM DETAILS
SPAN 1**

F.A.U. 3887
STATION 113+61.11
SCALE:

SECTION 06-00214-06-BR
STRUCTURE NO. 045-2031
DATE: 00/00/2007