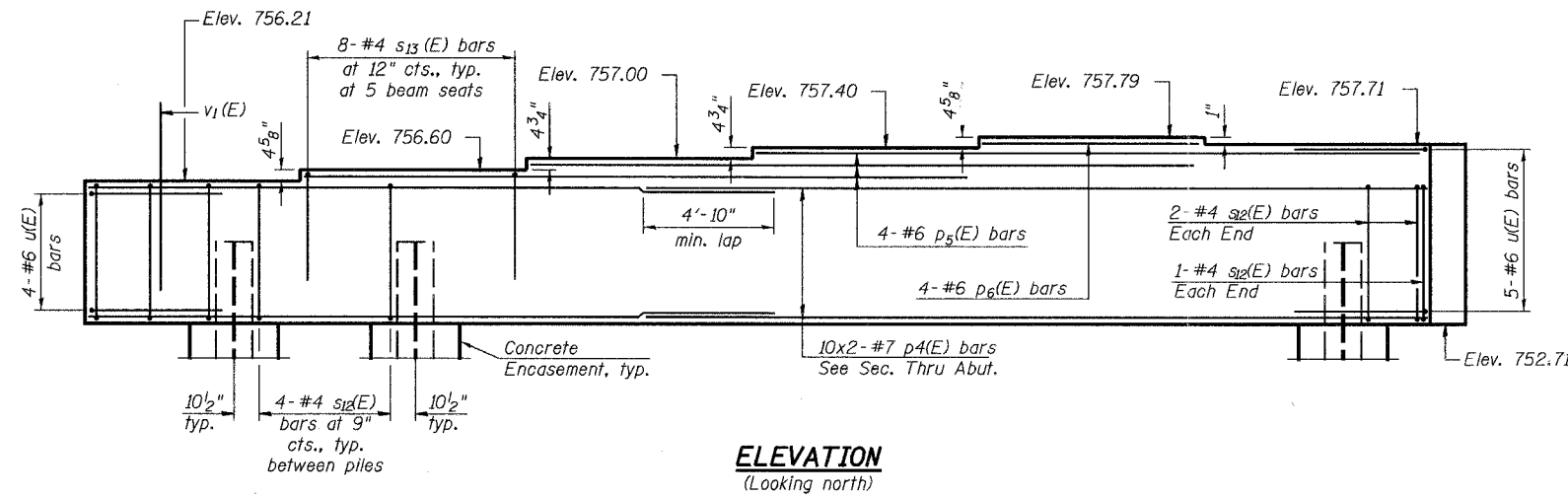


Notes: Pour steps monolithically with cap.

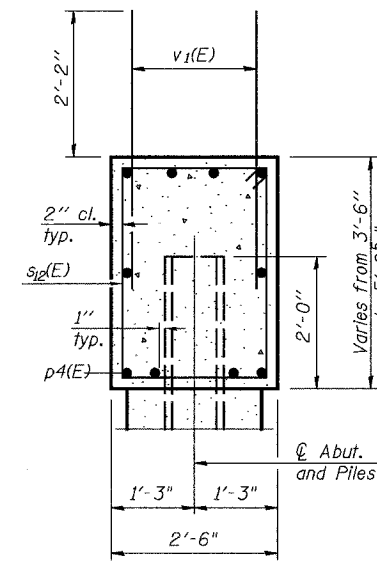
STATE OF ILLINOIS
DEPARTMENT OF TRANSPORTATION

ROUTE NO.	SECTION	COUNTY	TOTAL SHEETS	SHEET NO.	SHEET NO. 14 25 SHEETS
F.A.U. 3887	06-00214-06-BR	KANE	55	29	
FED. ROAD DIST. NO. 7	ILLINOIS	FED. AID PROJECT-			

CONTRACT NO. 83923



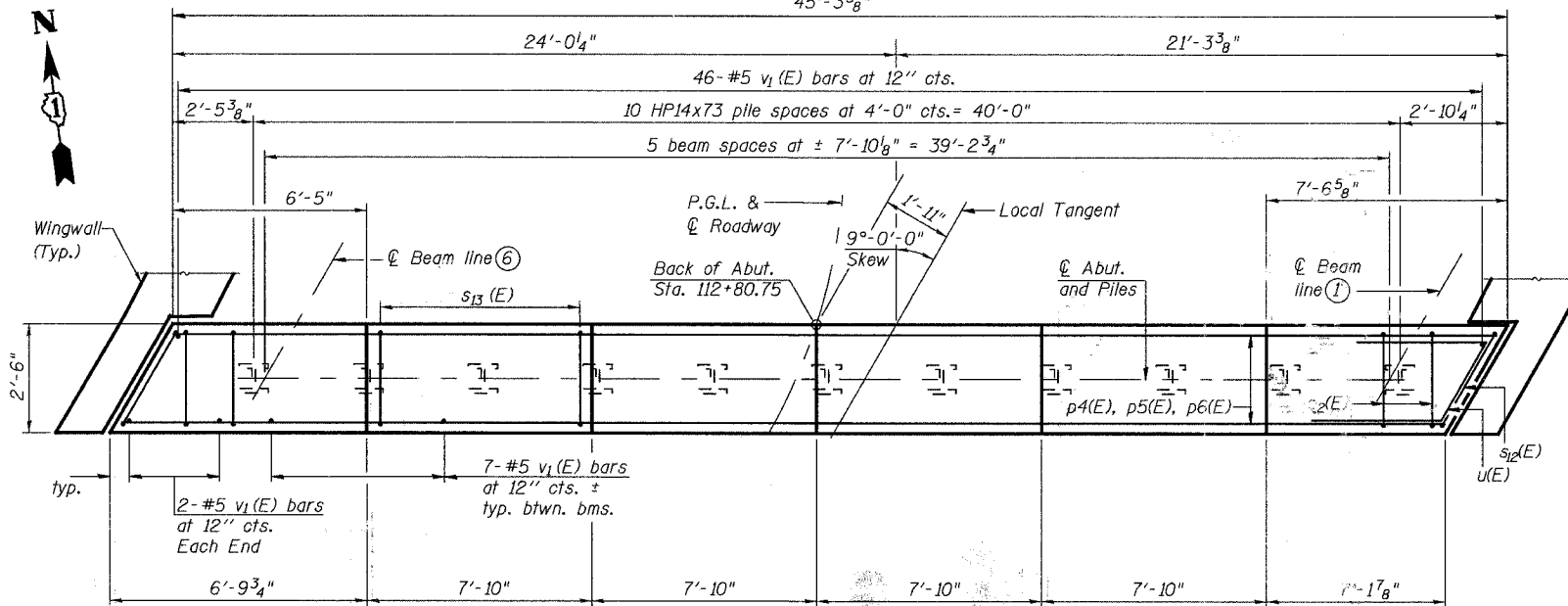
ELEVATION
(Looking north)



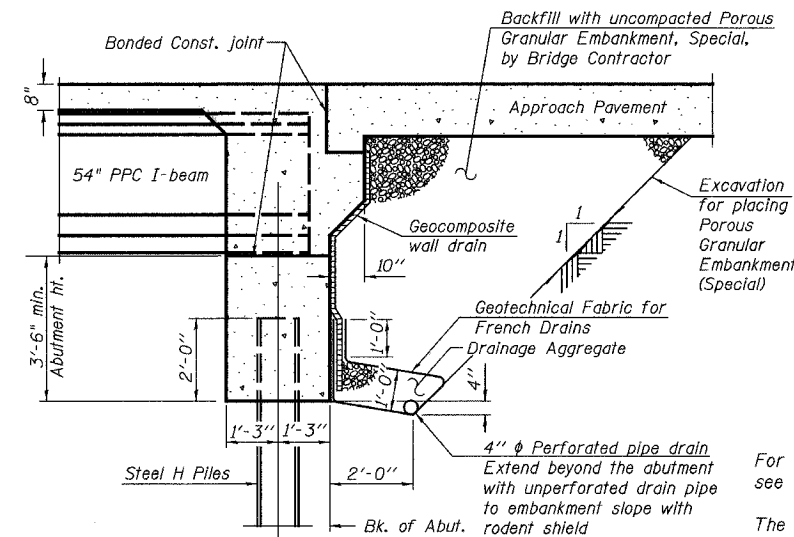
SEC. THRU ABUT.

BILL OF MATERIAL

Bar	No.	Size	Length	Shape
p4(E)	20	#7	25'-0"	
p5(E)	12	#6	22'-3"	
p6(E)	4	#6	7'-6"	
s12(E)	46	#4	11'-6"	□
s13(E)	40	#4	8'-2"	□
u(E)	9	#6	7'-4"	└
v1(E)	85	#5	4'-4"	
Structure Excavation			Cu. Yd.	163
Concrete Structures			Cu. Yd.	18.6
Reinforcement Bars, Epoxy Coated			Pound	2,530
Furnishing Steel Piles HP14x73			Foot	510
Test Pile Steel HP14x73			Each	1
Driving Piles			Foot	510
Concrete Encasement			Cu. Yd.	6.0
Pile shoes			Each	11
Porous Granular Embankment, Special			Cu. Yd.	108
Geocomposite Wall Drain			Sq. Yd.	41
Pipe Underdrains For Structures 4"			Foot	47



PLAN



SECTION SHOWING DRAINAGE BEHIND ABUTMENT

For details of piles and Concrete Encasement, see sheet 21 of 25.

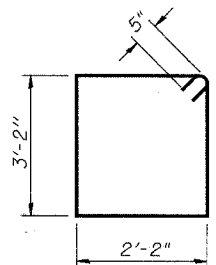
The cost of non-perforated drain pipe from back of abutment to embankment slope and rodent shield is included with Pipe Underdrains For Structures 4".

See sheet 18 for Architectural Form Liner Surface and Staining Concrete Surface Details.

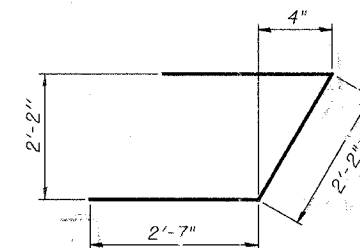
PILE DATA

Type: Steel HP14x73 with Pile Shoes
Nominal Required Bearing: 240 kips
Allowable Resistance Available: 80 kips
Est. Length: 51'
No. Production Piles: 10
No. Test Piles: 1

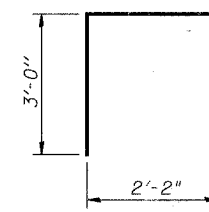
The Test Pile shall be driven to 110 percent of the Nominal Required Bearing Indicated in the pile data information



BAR s12(E)



BAR u(E)



BAR s13(E)

DESIGNED	ASL
CHECKED	NPP
DRAWN	SOI
CHECKED	NPP

AI-R 11-1-06

100 South Wacker Drive,
Suite 500
Chicago, IL 60606
(312) 939-1000



REVISIONS	
NAME	DATE

ILLINOIS DEPARTMENT OF TRANSPORTATION
ILLINOIS ROUTE 31 OVER NEW STEARNS ROAD
KANE COUNTY
NORTH ABUTMENT DETAILS
F.A.U. 3887 STATION 113+61.11
SCALE: N.T.S.
SECTION 06-00214-06-BR STRUCTURE NO. 045-2031
DATE: 00/00/2007