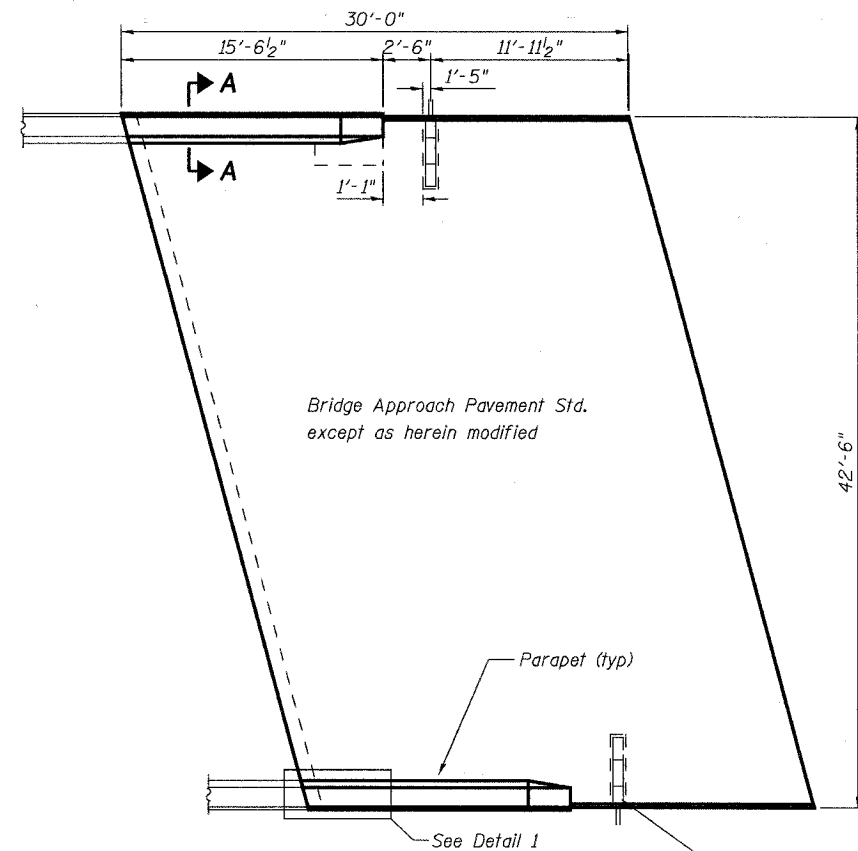


STATE OF ILLINOIS
DEPARTMENT OF TRANSPORTATION

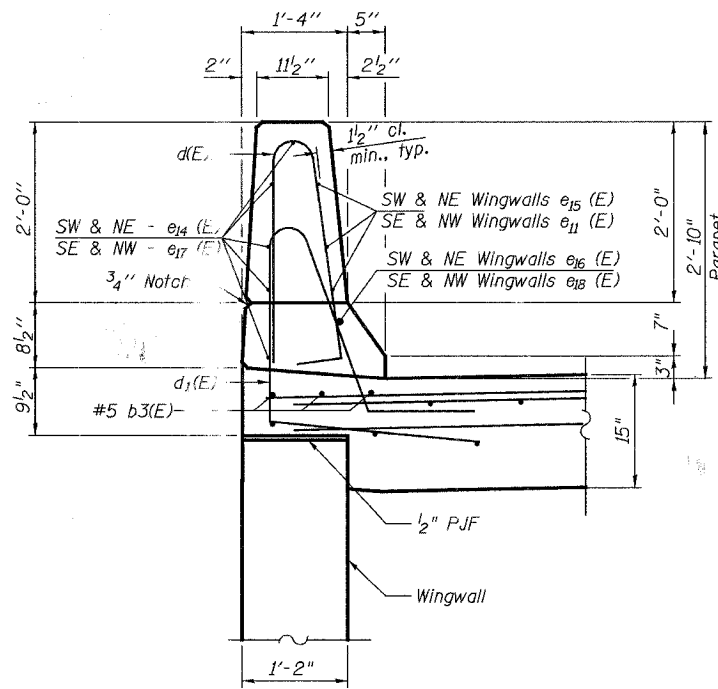
ROUTE NO.	SECTION	COUNTY	TOTAL SHEETS	SHEET NO.
F.A.U. 3887	06-00214-06-BR	KANE	55	32
FED. ROAD DIST. NO. 7	ILLINOIS	FED. AID PROJECT-		

SHEET NO. 17
25 SHEETS

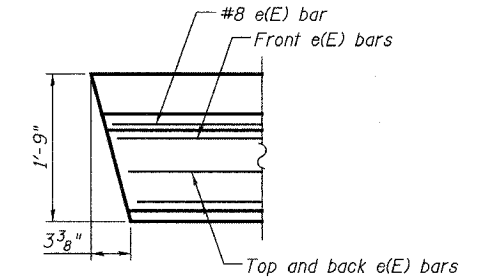
CONTRACT NO. 83923



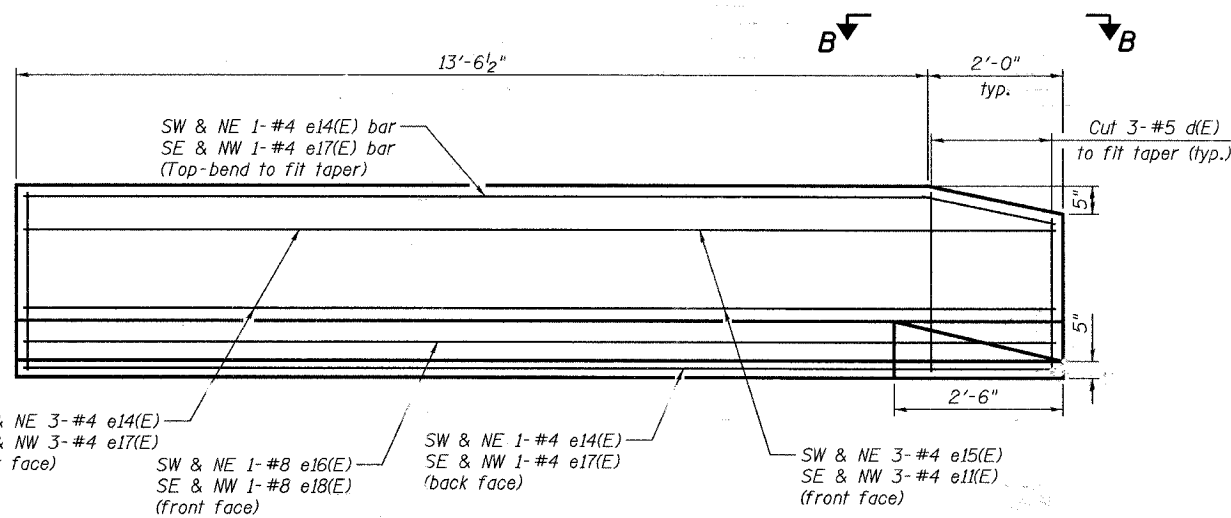
PLAN



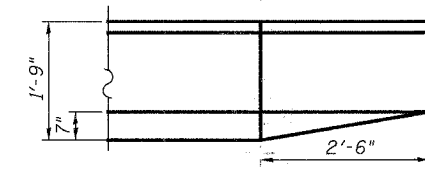
SECTION A-A



DETAIL 1



INSIDE PARAPET ELEVATION
(Typical at Four Locations)



SECTION B-B

- Notes:
- The details shown here are changes required for Bridge Approach Pavement Standard 420401.
 - Quantities for these details are included on Sheet 16 of 25.

DESIGNED	JRT
CHECKED	NPP
DRAWN	DYS
CHECKED	NPP

URS
100 South Wacker Drive,
Sulzr 500
Chicago, IL 60606
(312) 79-1000

REVISIONS	
NAME	DATE

ILLINOIS DEPARTMENT OF TRANSPORTATION
ILLINOIS ROUTE 31 OVER NEW STEARNS ROAD
KANE COUNTY
**BRIDGE APPROACH
PAVEMENT DETAILS**
F.A.U. 3887 STATION 113+61.11 SCALE:
SECTION 06-00214-06-BR STRUCTURE NO. 045-2031 DATE: 00/00/2007