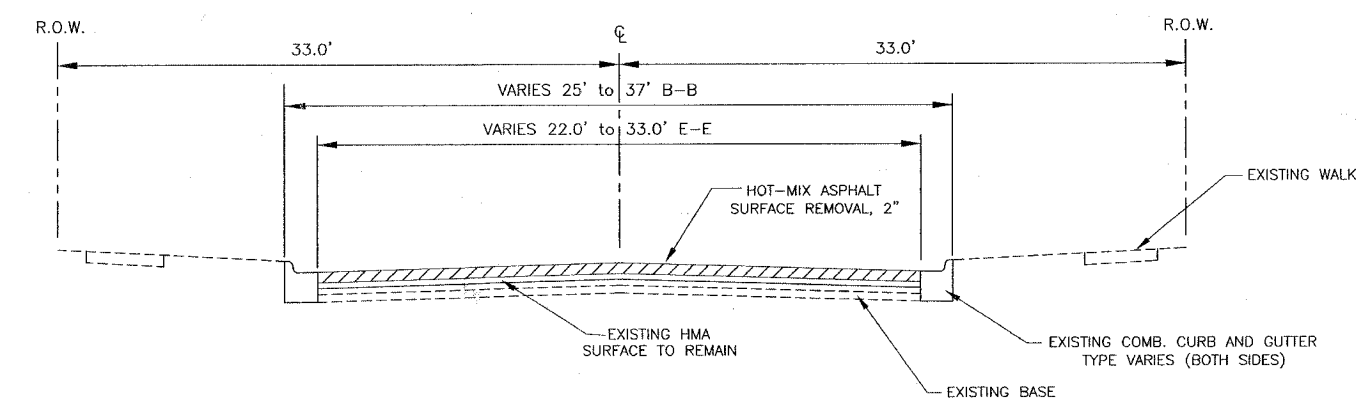
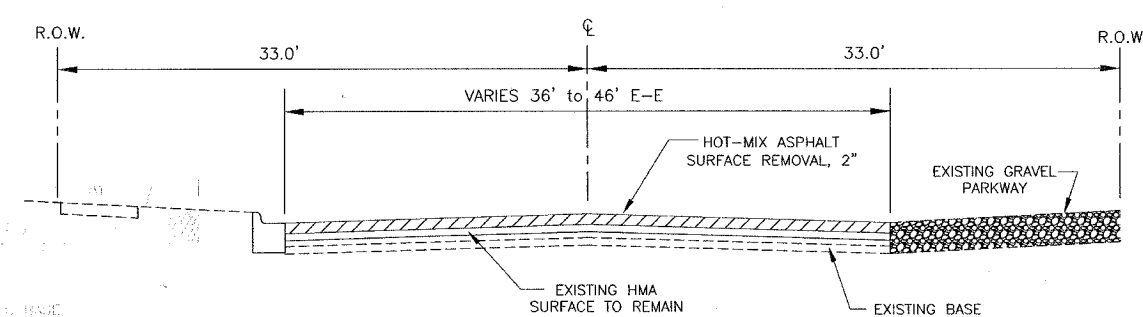


**EXISTING TYPICAL SECTION**  
STA. 0+00 to STA. 19+00



**EXISTING TYPICAL SECTION**  
STA. 24+75 to STA. 28+45.52



**EXISTING TYPICAL SECTION**  
STA. 19+00 to STA. 24+75



**VILLAGE OF HOMEWOOD**  
ENGINEERING DIVISION

DESIGNED BY:	D.J.A.
DRAWN BY:	D.J.A.
CHECKED BY:	M.M.

REVISIONS			
NO.	DATE	BY	DESCRIPTION
1	4-04-07	DJA	IDOT REVISION
2	4-11-07	DJA	IDOT REVISION

VILLAGE OF HOMEWOOD  
PARK AVENUE L.A.P.P. PROJECT  
**PARK AVENUE (FAU ROUTE 3597)**  
EXISTING TYPICAL SECTIONS  
DATE: 04-11-07 SCALE: NOT TO SCALE

SHEET  
**3**  
OF 10