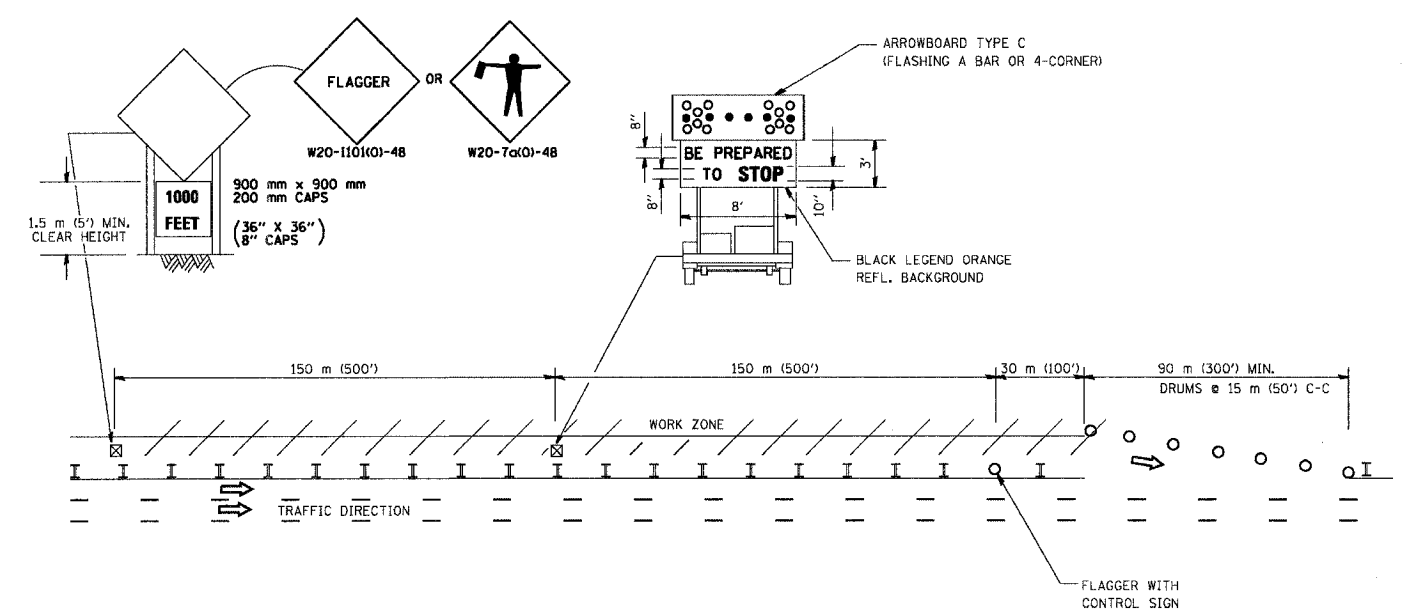


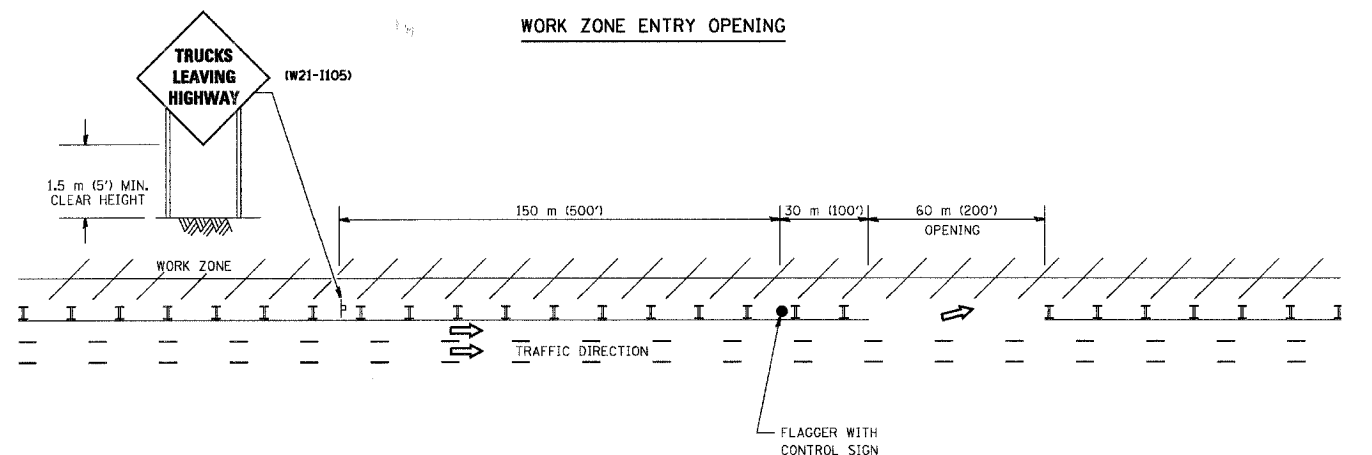
F.A. RTE.	SECTION	COUNTY	TOTAL SHEETS	SHEET NO.
	07-00026-00-RS	MCHENRY	10	8
STA.		TO STA.		
FED. ROAD DIST. NO.	ILLINOIS FED. AID PROJECT	CONTRACT NO.: 83929		

SIGNING FOR FLAGGING OPERATIONS AT WORK ZONE OPENINGS

WORK ZONE EXIT OPENING



WORK ZONE ENTRY OPENING



NOTES:

1. The Arrowboard, the Flagger Ahead trailer mounted sign, and the Trucks Leaving Highway sign shall be removed or turned away from traffic and the exit and entry openings shall be closed when the flagging operation ceases.
2. Work Zone Exit Openings should be a minimum of one half mile apart.
3. Exiting the work zone at any place other than at a Work Zone Exit Opening will be prohibited.
4. All vehicles shall enter the work zone at entry openings, using their turn signals to warn motorists

ALL DIMENSIONS ARE IN MILLIMETERS (INCHES) UNLESS OTHERWISE SHOWN

REVISIONS	
NAME	DATE
DWS	8/98
JAF	4/03
JAF	2/06

ILLINOIS DEPARTMENT OF TRANSPORTATION
SIGNING FOR FLAGGING OPERATIONS AT WORK ZONE OPENINGS

SCALE: NONE
DATE: 3/1/2006
DRAWN BY CADD
CHECKED BY TC-18

PLOT DATE = 3/1/2006
FILE NAME = K:\adistat\adistat.dgn
PLOT SCALE = 0.0000 / IN.
USER NAME = jafgo