

ROUTE NO.	SECTION	COUNTY	TOTAL SHEETS	SHEET NO.
VARIOUS	**	COOK	22	1
ILLINOIS PROJECT		HPP-1719 (001)		
VILLAGE SECTION		06-00121-00-PV		
CONTRACT NO. 83937				

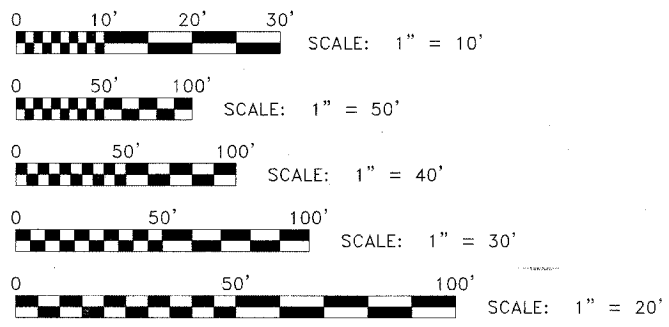
STATE OF ILLINOIS
DEPARTMENT OF TRANSPORTATION
DIVISION OF HIGHWAYS
PLANS FOR PROPOSED
FEDERAL AID HIGHWAY
19th, 18th, 15th, 11th, AND 3rd AVENUES
ROADWAY RESURFACING (LAPP)
SECTION 06-00121-00-PV
PROJECT HPP-1719 (001)
JOB C-91-180-06
VILLAGE OF MAYWOOD
COOK COUNTY

FOR INDEX OF SHEETS SEE SHEET NO. 2

PROJECT LOCATED IN
THE VILLAGE OF MAYWOOD

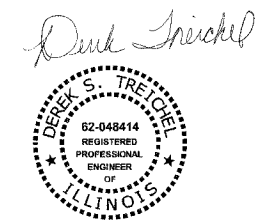


LOCATION OF SECTION INDICATED THUS:



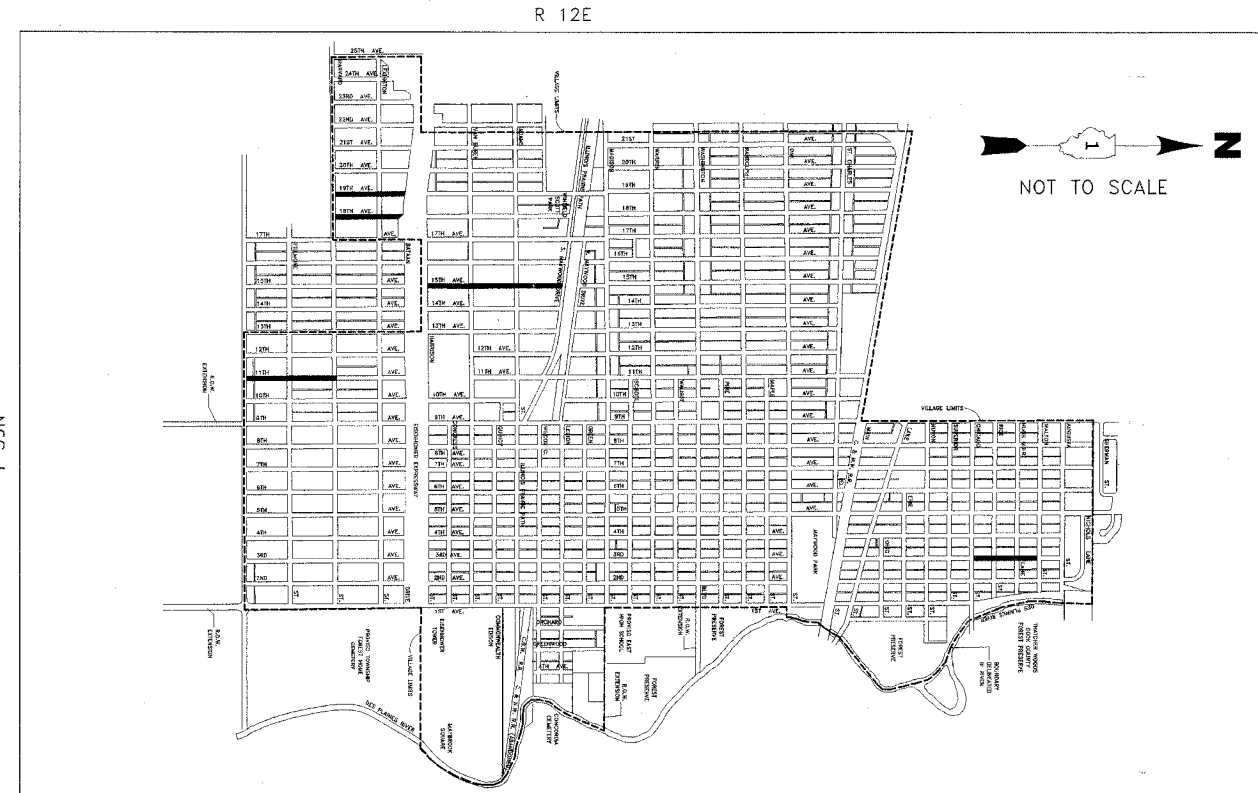
FULL SIZE PLANS HAVE BEEN PREPARED USING STANDARD ENGINEERING SCALES. REDUCED SIZED PLANS WILL NOT CONFORM TO STANDARD SCALES. IN MAKING MEASUREMENTS ON REDUCED PLANS, THE ABOVE SCALES MAY BE USED.

TRAFFIC DATA
2030 ADT = LESS THAN 1000
POSTED SPEED LIMIT: 25 MPH
DESIGN SPEED LIMIT: 25 MPH



DATE SIGNED: 04-16-07
LICENSE EXPIRES: 11-30-07

LOCATION MAP



PROVISO TOWNSHIP

█ - AREA OF IMPROVEMENT

GROSS AND NET LENGTH OF PROJECT = 6,420 FT. = 1.216 MI.

ILLINOIS DEPARTMENT OF TRANSPORTATION
DEPARTMENT OF HIGHWAYS

APPROVED April 17 2007
Stephen J. Subarsky, Sr.
VILLAGE OF MAYWOOD, PRESIDENT

PASSED MAY 31 2007
Christopher Holt
DISTRICT 1 ENGINEER OF LOCAL ROADS & STREETS

RELEASING FOR BID
BASED ON LIMITED
REVIEW June 1 2007
Diane O'Keefe
DEPUTY DIRECTOR OF HIGHWAYS, REGION 1 ENGINEER

(PRINTED BY AUTHORITY OF THE STATE OF ILLINOIS)

FEDERAL AID DESIGN ENGINEER: KEVIN STALLWORTH (847)705-4169
 CONSULTANT: EDWIN HANCOCK ENGINEERING COMPANY
 9933 ROOSEVELT ROAD PHONE: (708)865-0300
 WESTCHESTER, ILLINOIS 60154

CONTRACT NO. 83937

BEFORE YOU DIG, CALL J.U.L.I.E. 800-892-0123

E.H.E. NO. 565-06-35901

INDEX OF SHEETS

SHEET NO.	DESCRIPTION
1	COVER SHEET, LOCATION MAP
2	INDEX OF SHEETS, LEGEND, GENERAL NOTES, & I.D.O.T. STANDARD DRAWINGS
3-4	DETAIL SHEET
5	SUMMARY OF QUANTITIES
6-7	EXISTING & PROPOSED TYPICAL CROSS SECTIONS
8-20	PAVING IMPROVEMENTS
21	BUTT JOINT AND HMA TAPER DETAILS
22	TRAFFIC CONTROL AND PROTECTION FOR SIDE ROADS, INTERSECTIONS, AND DRIVEWAYS

I.D.O.T. STANDARD DRAWINGS

STANDARD NO.	TITLE OR DESCRIPTION
000001-04	STANDARD SYMBOLS, ABBREVIATIONS AND PATTERNS
424001-04	CURB RAMPS FOR SIDEWALKS
442201-02	CLASS C AND D PATCHES
602601-01	PRECAST REINFORCED CONCRETE FLAT SLAB TOP
604001-02	FRAMES AND LIDS, TYPE 1
701501-03	URBAN LANE CLOSURE, 2-LANE, 2-WAY, UNDIVIDED
701801-03	LANE CLOSURE, MULTILANE, 1-WAY OR 2-WAY CROSSWALK OR SIDEWALK CLOSURE
702001-06	TRAFFIC CONTROL DEVICES

STANDARDS

ANY REFERENCE TO STANDARDS THROUGHOUT THE PLANS OR SPECIAL PROVISIONS SHALL BE INTERPRETED TO BE THE LATEST STANDARD OF THE ILLINOIS DEPARTMENT OF TRANSPORTATION AS SHOWN ON THE INDEX OF SHEETS IN THE PLANS.

UNDERGROUND UTILITIES

BEFORE STARTING ANY EXCAVATION, THE CONTRACTOR SHALL CALL "JULIE" AT 800-892-0123 FOR FIELD LOCATIONS OF BURIED ELECTRICAL, TELEPHONE AND GAS FACILITIES. (48 HOURS NOTIFICATION IS REQUIRED).

THE LOCATIONS OF THE UNDERGROUND UTILITIES IF SHOWN ON THE PLANS HAVE BEEN OBTAINED BY FIELD SURVEYS AND SEARCHES OF AVAILABLE RECORDS. IT IS BELIEVED THAT THE DATA IS ESSENTIALLY CORRECT, BUT THE VILLAGE OF MAYWOOD, THE ILLINOIS DEPARTMENT OF TRANSPORTATION AND/OR OTHER OFFICES AND AGENCIES ASSOCIATED WITH THE DEVELOPMENT OF THESE PLANS DO NOT GUARANTEE THEIR ACCURACY OR COMPLETENESS OF THIS INFORMATION. THE CONTRACTOR WILL BE REQUIRED TO VERIFY THE EXACT LOCATION OF EACH FACILITY WITH THE RESPECTIVE UTILITY COMPANY, AND SHALL TAKE DUE CARE IN ALL PHASES OF THE CONSTRUCTION TO PROTECT ANY SUCH FACILITIES WHICH MAY BE AFFECTED BY THE WORK. ANY DAMAGE TO EXISTING UTILITIES SHALL BE REPAIRED AT THE CONTRACTOR'S EXPENSE.

THE CONTRACTOR SHALL COORDINATE CONSTRUCTION ACTIVITIES WITH UTILITY COMPANIES AND THE VILLAGE OF MAYWOOD.

FRAMES AND GRATES

THE TYPE OF FRAMES AND GRATES REQUIRED FOR ALL SEWER AND/OR WATER MAIN STRUCTURES LISTED IN THE SUMMARY OF QUANTITIES MAY BE FOUND ON THE PLANS AT THEIR RESPECTIVE LOCATIONS. FOR NEW LIDS ON ALL ADJUSTMENTS AND RECONSTRUCTIONS, THEY SHALL BE IN ACCORDANCE WITH ARTICLE 604 OF THE STANDARD SPECIFICATIONS AND THE TERM LID IS USED IN LIEU OF GRATE. ALL LIDS ON MANHOLES AND VALVE VAULTS SHALL BE OF THE SELF SEALING TYPE.

ON ALL IMPROVEMENTS, THE FRAMES AND LIDS OF EXISTING SEWER AND/OR WATER MAIN STRUCTURES WHICH ARE TO BE ABANDONED DUE TO CONSTRUCTION OF THIS IMPROVEMENT ARE TO REMAIN THE PROPERTY OF THE VILLAGE OF MAYWOOD AND BE SALVAGED. THESE ITEMS SHALL BE DELIVERED TO THE VILLAGE OF MAYWOOD.

MANHOLE OR VALVE VAULT COVERS

THE WORD "WATER", "SANITARY", OR "STORM" SHALL BE CAST INTO THE LID OF EACH RESPECTIVE MANHOLE OR VALVE VAULT.

MAINTENANCE OF SEWER FLOWS

THE CONTRACTOR SHALL CONDUCT HIS OPERATIONS AS TO MAINTAIN FLOW THROUGH EXISTING STORM AND SANITARY SEWER SYSTEMS AT ALL TIMES. HE SHALL ALSO PROVIDE AND MAINTAIN AN EFFICIENT PUMPING PLANT IF NECESSARY AND A TEMPORARY OUTLET AND BE PREPARED AT ALL TIMES TO DISPOSE OF THE WATER COLLECTED IN A SAFE MANNER WITHOUT DAMAGE OF ANY KIND TO ADJACENT PROPERTIES. THE ENDS OF EXISTING DRAINAGE LINES WHICH ARE NOT TO BE INCORPORATED INTO THE PROJECT ARE TO BE SEALED AS SPECIFIED IN THE SPECIAL PROVISIONS. EXISTING STRUCTURES ARE TO BE INSPECTED BEFORE CONSTRUCTION STARTS - ANY ACCUMULATION OF MATERIAL IN THE STRUCTURE DUE TO CONSTRUCTION OPERATIONS SHALL BE REMOVED BY THE CONTRACTOR AT HIS EXPENSE.

MAINTENANCE OF EXISTING DRAINAGE STRUCTURES

WHEN, DURING THE CONSTRUCTION OPERATIONS, ANY LOOSE MATERIAL IS DEPOSITED IN THE FLOW LINE OF ANY GUTTERS AND DRAINAGE STRUCTURE SO THAT THE NATURAL FLOW OF WATER IS OBSTRUCTED, IT SHALL BE REMOVED AT THE CLOSE OF EACH WORKING DAY. AT THE CONCLUSION OF THE CONSTRUCTION OPERATIONS, ALL DRAINAGE FACILITIES SHALL BE CLEAN AND FREE OF ALL OBSTRUCTIONS DUE TO CONSTRUCTION OPERATIONS. THE COST OF THIS WORK SHALL BE INCIDENTAL TO THE CONTRACT.

SAW CUTTING

THE CONTRACTOR SHALL SAW CUT ALL CURB AND GUTTER, SIDEWALK, AND PAVEMENT AS INDICATED ON THE PLANS TO SEPARATE THE EXISTING PAVEMENT TO BE REMOVED BY APPROVED MEANS OR AN APPROVED CONCRETE SAW TO A DEPTH AS DIRECTED BY THE ENGINEER. SUITABLE GUIDELINES OR DEVICES SHALL BE USED TO ASSURE CUTTING A NEAT, STRAIGHT LINE AS SHOWN ON THE PLANS. CARE SHALL BE TAKEN BY THE CONTRACTOR AS NOT TO DAMAGE THE REMAINING PAVEMENT DIRECTLY ADJACENT TO THE PAVEMENT TO BE REMOVED. ANY DAMAGE TO THE EXISTING PAVEMENT RESULTING FROM PAVEMENT REMOVAL OPERATIONS SHALL BE REPAIRED AT THE CONTRACTOR'S EXPENSE. THE COST OF SAW CUTTING SHALL BE INCLUDED IN THE ITEM BEING REMOVED.

PRIME COAT

PRIME COAT MUST BE INSTALLED NO EARLIER THAN TWENTY-FOUR (24) HOURS PRIOR TO PLACEMENT OF HOT-MIX ASPHALT.

GENERAL NOTES

BARRICADES

THE CONTRACTOR SHALL PROVIDE AND INSTALL TWO (2) WEIGHTED SANDBAGS ON EACH TYPE I OR TYPE II BARRICADE USED, ONE (1) WEIGHTED SANDBAG ACROSS EACH BOTTOM RAIL.

BUTT JOINTS

BUTT JOINTS WILL BE INSTALLED AT THE ENDS OF ALL RESURFACING (WHERE RESURFACING MEETS EXISTING PAVEMENT) IN ACCORDANCE WITH THE "BUTT JOINT AND HMA TAPER DETAILS" SHEET INCLUDED IN THE PLANS, UNLESS OTHERWISE SPECIFIED.

MILLED PAVEMENT OPEN TO TRAFFIC

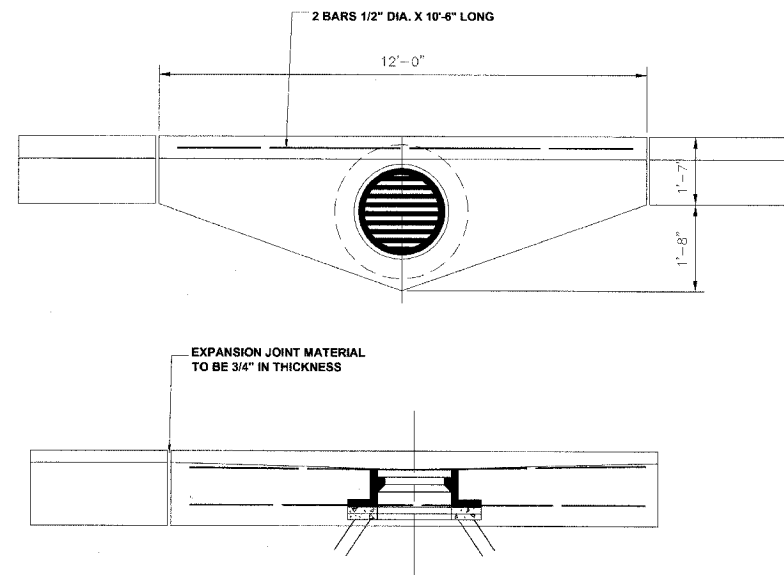
WHEN MILLED PAVEMENT IS OPEN TO TRAFFIC THE MAXIMUM GRADE DIFFERENTIAL BETWEEN PASSES OF THE MILLING MACHINE SHALL NOT EXCEED 1-1/2 INCHES (40 MM) WHERE THE SPEED LIMIT IS 45 MPH (80 KM/HR) OR LESS AND 1 INCH (25 MM) WHERE THE SPEED LIMIT IS GREATER THAN 45 MPH (80 KM/HR). WITH WRITTEN APPROVAL FROM THE ENGINEER, A MAXIMUM GRADE DIFFERENTIAL OF 3 INCHES (75 MM) MAY BE ALLOWED IF THE EDGE OF THE MILLING IS SLOPED A MINIMUM 1:3 (V:H)

LEGEND OF SYMBOLS

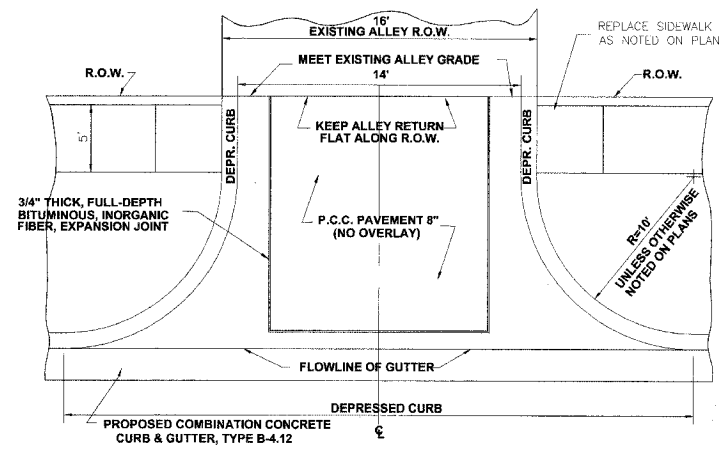
(TO BE USED IN CONJUNCTION WITH I.D.O.T. STANDARD 000001-03)

EXISTING	PROPOSED	DESCRIPTION	EXISTING	PROPOSED	DESCRIPTION
		GAS LINE			PROPOSED CONCRETE PAVEMENT, SIDEWALK, OR DRIVEWAY
		TELEPHONE LINE			PROPOSED HMA SURFACE COURSE
		SANITARY SEWER			PAVEMENT PATCH
		WATER MAIN			PAVEMENT, SIDEWALK OR DRIVEWAY TO BE REMOVED
		STORM SEWER			HMA DRIVEWAYS OR SURFACE TO BE REMOVED (PARKWAY)
		COMBINATION SEWER			BUTT JOINT
		FIRE HYDRANT			COMBINATION CONCRETE CURB & GUTTER, TYPE B-6.12 (MOD.)
		POWER POLE			CONCRETE CURB & GUTTER TO BE REMOVED
		ELECTRIC HANDHOLE		A	STRUCTURE TO BE ADJUSTED
		WATER MAIN VALVE VAULT		A-1C	STRUCTURE TO BE ADJUSTED WITH NEW TYPE 1 FRAME AND LID
		WATER MAIN VALVE BOX		RC	STRUCTURE TO BE RECONSTRUCTED
		MANHOLE		RC-1C	STRUCTURE TO BE RECONSTRUCTED WITH NEW TYPE 1 FRAME AND LID
		INLET			STRUCTURE TO BE REMOVED
		BUFFALO BOX			STRUCTURE TO BE FILLED
		CATCH BASIN			
		SUMMIT			
		GRADE BREAK			
		RIM ELEVATION (SANITARY) INVERT ELEVATION			
		RIM ELEVATION (STORM) INVERT ELEVATION			
		RIM ELEVATION (WATER MAIN) TOP OF WATER MAIN			
		ELEVATION			

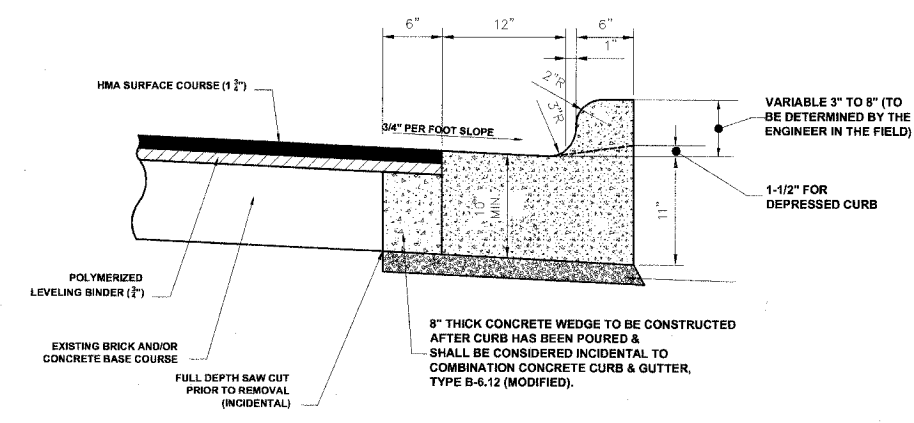
ROUTE NO.	SECTION	COUNTY	TOTAL SHEETS	SHEET NO.
VARIOUS	**	COOK	22	2
ILLINOIS PROJECT		HPP-1719 (001)		
VILLAGE SECTION		06-00121-00-PV		
CONTRACT NO. 83937				



GUTTER DETAIL AT DRAINAGE STRUCTURE



ALLEY RETURN DETAIL

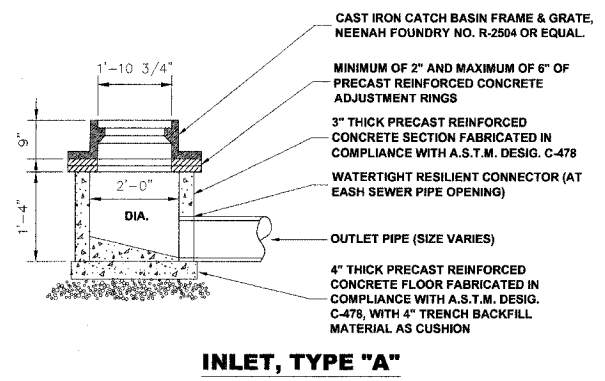


COMBINATION CONCRETE CURB & GUTTER TYPE B-6.12 (MODIFIED)

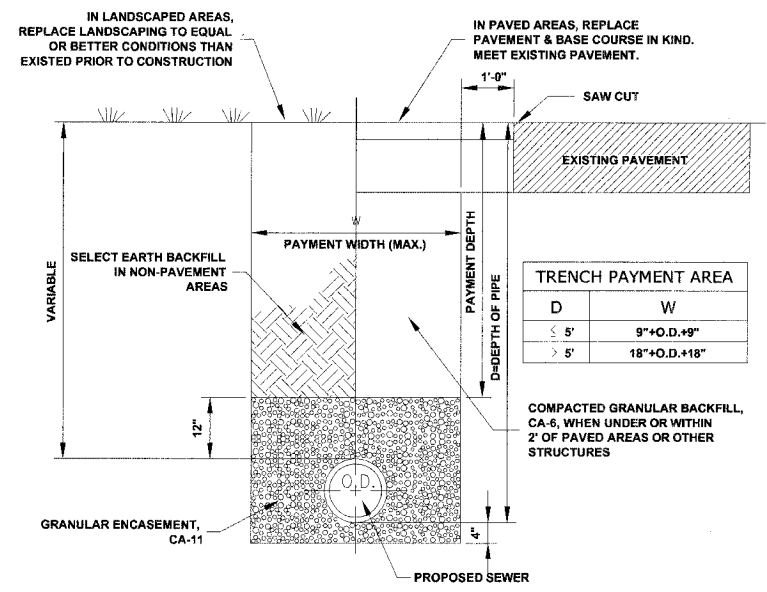
STREET	PAVT. WIDTH (B-B)
19th AVE., HARVARD ST. TO BATAAN DR.	26.3'
18th AVE., HARVARD ST. TO BATAAN DR.	26.0'
15th AVE., HARRISON ST. TO S. MAYWOOD DR.	25.3'
11th AVE., ROOSEVELT RD. TO HARVARD ST.	25.6'
3rd AVE., CHICAGO AVE. TO WALTON ST.	26.6'

TYPICAL PAVEMENT WIDTHS

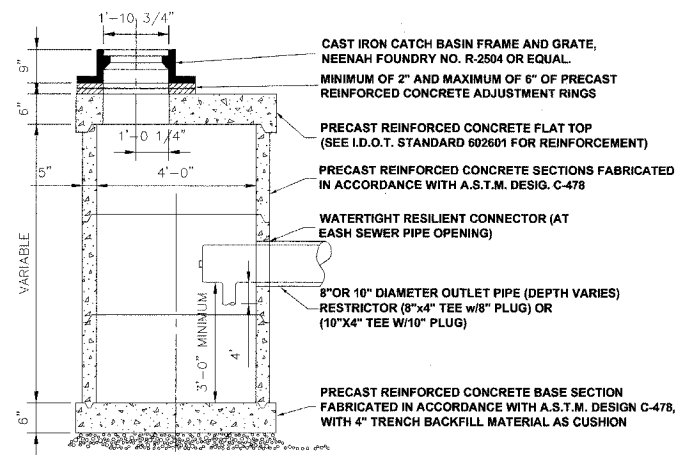
Drawing file: W:\Projects\65606359 - High Priority Cont\Detail.dwg Apr 11, 2007 - 1:59pm



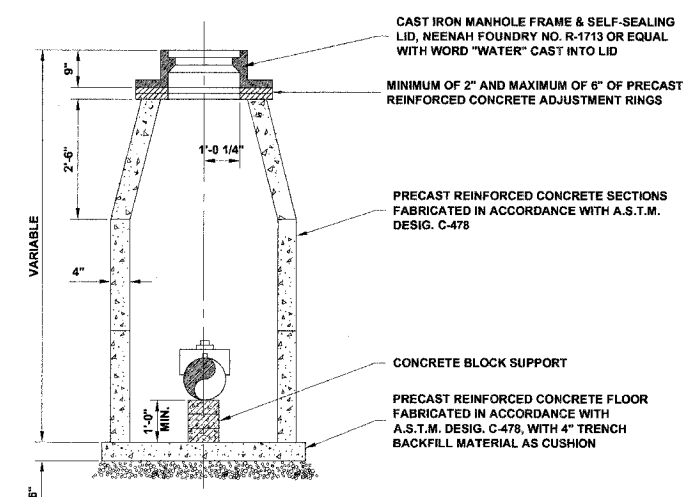
INLET, TYPE "A"



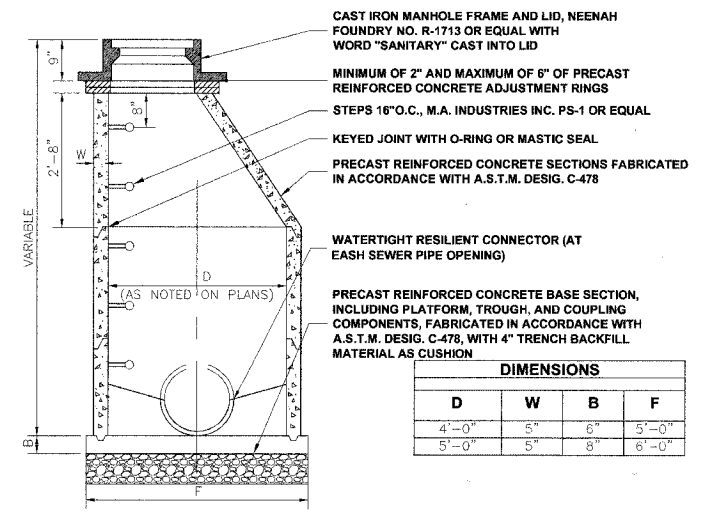
TYPICAL SEWER TRENCH DETAIL



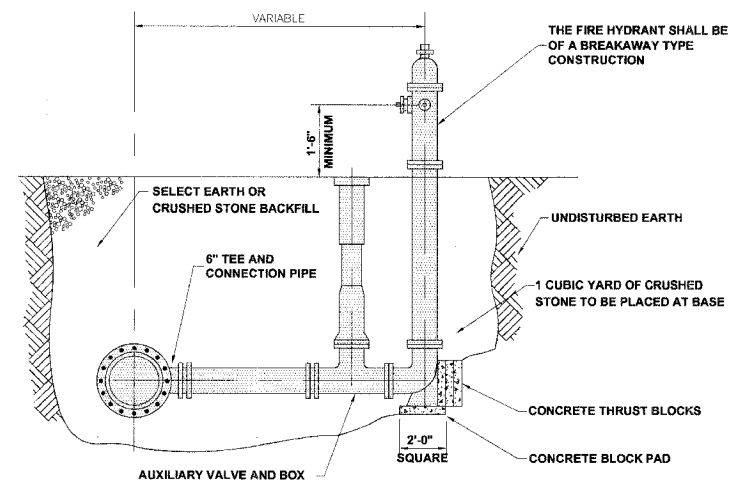
**RESTRICTED DEPTH CATCH BASIN
TYPICAL**



STANDARD VALVE VAULT DETAIL



STANDARD SEWER MANHOLE



FIRE HYDRANT DETAIL

M.W.R.D.G.C. GENERAL NOTES

1. THE MWDR SEWER SYSTEMS SECTION FIELD OFFICE MUST BE NOTIFIED AT LEAST TWO (2) WORKING DAYS PRIOR TO THE COMMENCEMENT OF WORK AT (708) 588-4055.
2. ELEVATION DATUM IS U.S.G.S.
3. ALL FLOOR DRAINS SHALL DISCHARGE TO THE SANITARY SEWER SYSTEM.
4. ALL DOWNSPOUTS AND FOOTING DRAINS SHALL DISCHARGE INTO THE STORM SEWER SYSTEM.
5. ALL PVC STORM, COMBINED, AND SANITARY SEWER PIPE JOINTS SHALL CONFORM TO ASTM D-3139. ALL PVC SEWER PIPE 12" IN DIAMETER OR LESS SHALL CONFORM TO ASTM D-2241 (WATER QUALITY PIPE). ALL PVC SEWER PIPE 15" OR GREATER SHALL CONFORM TO ASTM D-3034. ALL PVC SEWER PIPE SHALL BE SDR 26.
6. ALL SANITARY SEWER CONSTRUCTION, AND ALSO STORM SEWER CONSTRUCTION IN COMBINED SEWER AREAS, REQUIRES STONE BEDDING 1/4" TO 1" IN SIZE, WITH A MINIMUM THICKNESS EQUAL TO 1/4 THE OUTSIDE DIAMETER OF THE SEWER PIPE, BUT NOT LESS THAN FOUR INCHES (4") NOR MORE THAN EIGHT INCHES (8"). MATERIAL SHALL BE CA-11 OR CA-13 AND SHALL BE EXTENDED AT LEAST 12" ABOVE THE TOP OF THE PIPE WHEN USING PVC PIPE.
7. "BAND SEAL" OR SIMILAR FLEXIBLE-TYPE COUPLINGS SHALL BE USED IN THE CONNECTION OF SEWER PIPE OF DISSIMILAR MATERIALS.
8. WHEN CONNECTING TO AN EXISTING SEWER MAIN BY MEANS OTHER THAN AN EXISTING WYE, TEE, OR AN EXISTING MANHOLE, ONE OF THE FOLLOWING METHODS SHALL BE USED:
 - 1) CIRCULAR SAW-CUT OF SEWER MAIN BY MECHANICAL CORING MACHINE, AND PROPER INSTALLATION OF HUB-WYE SADDLE OR HUB-TEE SADDLE, IN ACCORDANCE WITH THE MANUFACTURER'S RECOMMENDATIONS.
 - 2) REMOVE AN ENTIRE SECTION OF PIPE (BREAKING ONLY THE TOP OF ONE BELL) AND REPLACE WITH A WYE OR TEE BRANCH SECTION. AFTER THE WYE OR TEE BRANCH IS INSERTED, CONCRETE SHALL BE PLACED OVER THE BROKEN AREA TO A MINIMUM THICKNESS OF 4" AND TO A DIMENSION OF 8" IN ALL DIRECTIONS.
 - 3) USING PIPE CUTTER, NEATLY AND ACCURATELY CUT OUT DESIRED LENGTH OF PIPE FOR INSERTION OF PROPER FITTING. USE "BAND SEAL" OR SIMILAR COUPLINGS TO HOLD FIRMLY IN PLACE. FOLLOW MANUFACTURER'S RECOMMENDATIONS FOR THE INSTALLATION.
9. WHEREVER A SANITARY/COMBINED SEWER CROSSES UNDER A WATER MAIN, THE MINIMUM VERTICAL DISTANCE FROM THE TOP OF THE SEWER TO THE BOTTOM OF THE WATERMAIN SHALL BE 18 INCHES. FURTHERMORE, A MINIMUM HORIZONTAL DISTANCE OF 10 FEET BETWEEN SANITARY/COMBINED SEWERS AND WATERMANS SHALL BE MAINTAINED UNLESS: THE SEWER IS LAID IN A SEPARATE TRENCH, KEEPING A MINIMUM 18" VERTICAL SEPARATION; OR THE SEWER IS LAID IN THE SAME TRENCH WITH THE WATERMAIN LOCATED AT THE OPPOSITE SIDE ON BENCH OF UNDISTURBED EARTH, KEEPING A MINIMUM 18" VERTICAL SEPARATION. IF EITHER THE VERTICAL OR HORIZONTAL DISTANCES DESCRIBED ABOVE CANNOT BE MAINTAINED, OR THE SEWER CROSSES ABOVE THE WATERMAIN, THE SEWER SHALL BE CONSTRUCTED WATERMAIN STANDARDS.
10. ALL SANITARY MANHOLES, (AND STORM MANHOLES IN COMBINED SEWER AREAS), SHALL HAVE A MINIMUM INSIDE DIAMETER OF 48 INCHES, AND SHALL BE CAST IN PLACE OR PRE-CAST REINFORCED CONCRETE.
11. ALL ABANDONED SANITARY SEWERS SHALL BE PLUGGED AT BOTH ENDS WITH A MINIMUM OF TWO (2) FEET LONG CONCRETE/MORTAR PLUG.
12. ALL INLET AND OUTLET PIPES OF SANITARY SEWER MANHOLES AND OTHER UNDERGROUND STRUCTURES (IN COMBINED SEWER AREAS, ALSO INCLUDED ARE ALL COMBINED/STORM SEWER MANHOLES, CATCH BASINS, INLETS, AND UNDERGROUND DETENTION STORAGE STRUCTURES) SHALL BE JOINED WITH WATERTIGHT FLEXIBLE RUBBER CONNECTORS CONFORMING TO ASTM C-443 AND C-823 WITH STAINLESS STEEL BAND.
13. THE MAXIMUM ALLOWABLE INFILTRATION OR EX-FILTRATION IS 100 GAL/DAY/MILE/INCH DIA. OF SEWER PIPE.

Drawing file: W:\Projects\56505359 - High Priority Grant\Details.dwg Apr 11, 2007 1:58pm

HANCOCK ENGINEERING ♦ Civil Engineers ♦ Municipal Consultants ♦ Established 1911

9933 Roosevelt Road
Westchester, Illinois 60154-2780
Phone: 708/865-0300
Fax: 708/865-1212

**ROADWAY RESURFACING (LAPP)
PROJECT HPP-1717 (001)
VILLAGE OF MAYWOOD, ILLINOIS**

DETAIL SHEET

SCALE:	NONE	SHEET	4
DRAWN BY:	LEV/ECW		
BOOK NO.:	1484/1516/1538		
DATE:	4-12-07		
REVISION:	E.H.E. NO.: 565-06-35901		

SUMMARY OF QUANTITIES					
CODE	PAY ITEM	UNIT	TOTAL QTY.	1000-2A 80% Federal 20% Village	1000-2A 100% Village
20800150	TRENCH BACKFILL	CUYD	622	312	310
21101615	TOPSOIL FURNISH AND PLACE, 4"	SOYD	2,175	2,175	0
25000400	NITROGEN FERTILIZER NUTRIENT	POUND	41	41	0
25000500	PHOSPHORUS FERTILIZER NUTRIENT	POUND	41	41	0
25000600	POTASSIUM FERTILIZER NUTRIENT	POUND	41	41	0
25200100	SODDING	SOYD	2,175	2,175	0
25200200	SUPPLEMENTAL WATERING	UNIT	25	25	0
40201000	AGGREGATE FOR TEMPORARY ACCESS	TON	213	135	78
40600100	BITUMINOUS MATERIALS (PRIME COAT)	GAL	1,850	1,850	0
40600300	AGGREGATE (PRIME COAT)	TON	28	28	0
40600982	HOT-MIX ASPHALT SURFACE REMOVAL - BUTT JOINT	SOYD	600	600	0
40600310	HOT-MIX ASPHALT SURFACE COURSE, MIX "C", N50	TON	1,814	1,814	0
42000300	PORTLAND CEMENT CONCRETE PAVEMENT, 8"	SOYD	80	80	0
42101300	PROTECTIVE COAT	SOYD	2,782	2,782	0
42300300	PORTLAND CEMENT CONCRETE DRIVEWAY PAVEMENT, 7"	SOYD	995	995	0
42400200	PORTLAND CEMENT CONCRETE SIDEWALK, 5"	SQFT	7,490	7,490	0
42400800	DETECTABLE WARNINGS	SOFT	940	940	0
44000100	PAVEMENT REMOVAL	SOYD	80	80	0
44000159	HOT-MIX ASPHALT SURFACE REMOVAL, 2 1/2"	SOYD	18,500	18,500	0
44000200	DRIVEWAY PAVEMENT REMOVAL	SOYD	1,015	1,015	0
44000500	COMBINATION CURB AND GUTTER REMOVAL	FOOT	3,935	3,935	0
44000600	SIDEWALK REMOVAL	SQFT	7,700	7,700	0
44201329	CLASS C PATCHES, TYPE II, 8"	SOYD	440	440	0
44201333	CLASS C PATCHES, TYPE III, 8"	SOYD	240	240	0
44201335	CLASS C PATCHES, TYPE IV, 8"	SOYD	1,170	1,170	0
* 56400510	FIRE HYDRANTS TO BE REMOVED AND REPLACED	EACH	21	0	21
60213800	RESTRICTED DEPTH CATCH BASINS, 4' DIAMETER, TYPE 1 FRAME, OPEN LID	EACH	24	24	0
60228110	MANHOLES, SANITARY, 4' DIAMETER, TYPE 1 FRAME, CLOSED LID	EACH	4	4	0
60234200	INLETS, TYPE A, TYPE 1 FRAME, OPEN LID	EACH	13	13	0
60248700	VALVE VAULTS, TYPE A, 4' DIAMETER, TYPE 1 FRAME, CLOSED LID	EACH	6	6	0
60257900	MANHOLES TO BE RECONSTRUCTED	EACH	20	20	0
60266100	VALVE VAULTS TO BE RECONSTRUCTED	EACH	2	2	0
60300305	FRAMES AND LIDS TO BE ADJUSTED	EACH	44	44	0
60406000	FRAMES AND LIDS, TYPE 1, OPEN LID	EACH	8	8	0
60406100	FRAMES AND LIDS, TYPE 1, CLOSED LID	EACH	57	57	0
60500040	REMOVING MANHOLES	EACH	2	2	0
60500060	REMOVING INLETS	EACH	16	10	0
60500205	FILLING CATCH BASINS	EACH	31	31	0
60604100	COMBINATION CONCRETE CURB AND GUTTER, TYPE B-6.12 (MODIFIED)	FOOT	3,935	3,935	0
67100100	MOBILIZATION	L SUM	1	1	0
70101700	TRAFFIC CONTROL AND PROTECTION	L SUM	1	1	0
78000400	THERMOPLASTIC PAVEMENT MARKING - LINE 6"	FOOT	595	595	0
78000650	THERMOPLASTIC PAVEMENT MARKING - LINE 24"	FOOT	310	310	0
X4067107	POLYMERIZED LEVELING BINDER (MACHINE METHOD), IL-4.75, N50	TON	727	727	0
XX003036	STORM SEWERS, PVC, SDR 26, 10"	FOOT	631	631	0
XX006449	12" PVC COMBINED SEWER PIPE REPLACEMENT	FOOT	24	24	0
Xx006993	10" X 4" CATCH BASIN TRAP AND RESTRICTOR	EACH	20	20	0
Xx006994	8" X 4" CATCH BASIN TRAP AND RESTRICTOR	EACH	9	9	0
Δ 20076600	TRAINEES	HOURL	500	500	0

*SPECIALTY ITEMS
Δ 4080

Drawing File: W:\Projects\56506359 - High Priority Grant\SUM01.dwg Apr 11, 2007 - 2:35pm



◆ Civil Engineers
◆ Municipal Consultants
◆ Established 1911

9933 Roosevelt Road
Westchester, Illinois 60154-2780
Phone: 708/865-0300
Fax: 708/865-1212

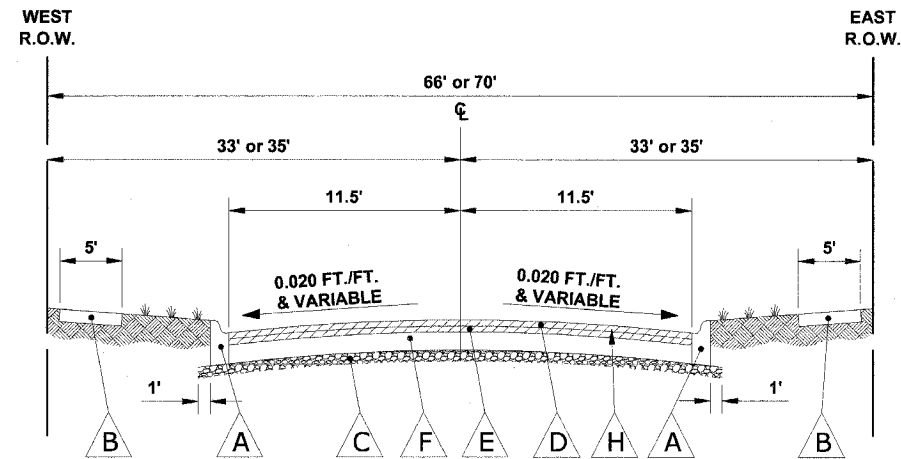
**ROADWAY RESURFACING (LAPP)
PROJECT HPP-1717 (001)
VILLAGE OF MAYWOOD, ILLINOIS**

SUMMARY OF QUANTITIES

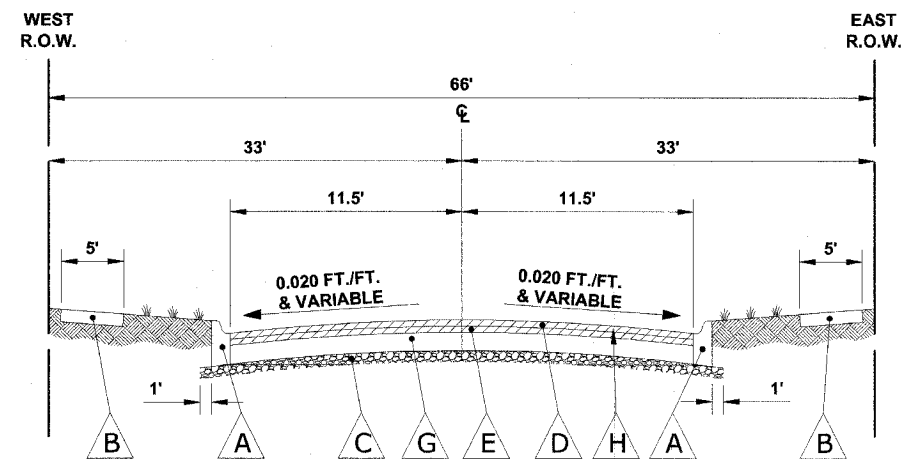
REVISION:

SCALE: NONE
DRAWN BY: LEV/ECW
BOOK NO.: 1484/1516/1538
DATE: 4-12-07
E.H.E. NO.: 565-06-35901

SHEET
5
22
OF



EXISTING TYPICAL CROSS SECTION
19TH, 18TH, 15TH, & 11TH AVENUES



EXISTING TYPICAL CROSS SECTION
3RD AVENUE

LEGEND OF SYMBOLS

SYMBOL	DESCRIPTION
A	INTERMITTENT COMBINATION CONCRETE CURB & GUTTER, TYPE B-6.12 (MOD.)
B	INTERMITTENT PORTLAND CEMENT CONCRETE SIDEWALK, 5"
C	EXISTING SUB-BASE GRANULAR MATERIAL, 4"
D	EXISTING HOT-MIX ASPHALT SURFACE COURSE, 2"
E	EXISTING HOT-MIX ASPHALT BINDER COURSE, 2"
F	EXISTING CONCRETE BASE COURSE, 8"
G	EXISTING BRICK PAVER BASE COURSE
H	PROPOSED HOT-MIX ASPHALT SURFACE REMOVAL, 2-1/2"
I	PROPOSED POLYMERIZED LEVELING BINDER (MACHINE METHOD), IL-4.75, N50, MINIMUM 3/4"
J	PROPOSED HOT-MIX ASPHALT SURFACE COURSE, MIX C, N50, 1-3/4"

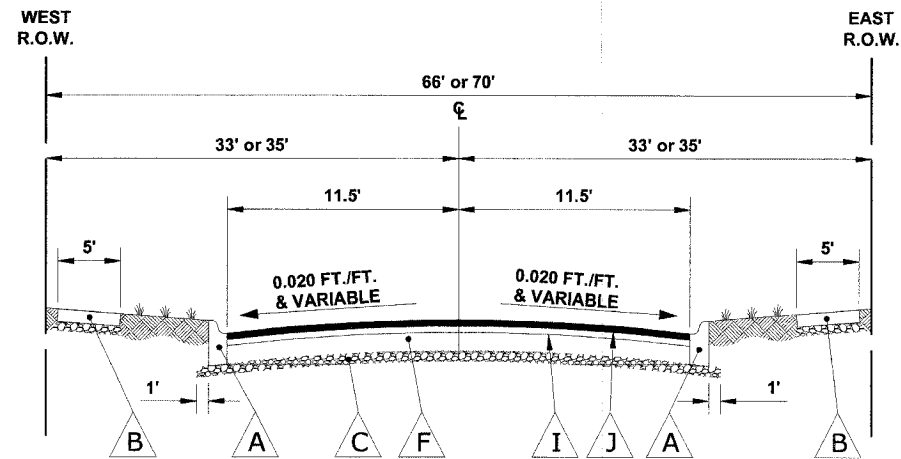
HOT-MIX ASPHALT (HMA) MIXTURE REQUIREMENTS

ITEM	A C TYPE	VOIDS
HMA SURFACE COURSE, MIX C, N50, IL-9.5 MM	PG 64-22	4% @ 50 GYR.
POLYMERIZED LEVELING BINDER (MACHINE METHOD), IL-4.75, N50	SBS/SBR PG 76-28/22	4% @ 50 GYR.

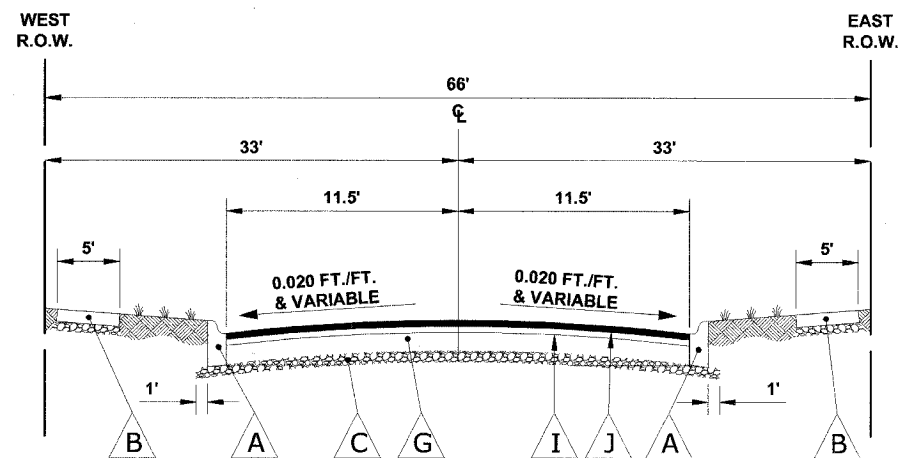
* THE UNIT WEIGHT USED TO CALCULATE ALL HMA SURFACE COURSE IS 112 LBS/SQYD/IN AND THE UNIT WEIGHT USED TO CALCULATE POLYMERIZED LEVELING BINDER IS 105 LBS/SQYD/IN.

* WHEN RAP EXCEEDS 20%, THE NEW ASPHALT BINDER IN THE MIX SHALL BE PG 58-22.

Drawing file: w:\Projects\65506359 - High Priority Grant\PROJECTS.dwg Apr 11, 2007 - 2:00pm



PROPOSED TYPICAL CROSS SECTION
19TH, 18TH, 15TH, & 11TH AVENUES



PROPOSED TYPICAL CROSS SECTION
3RD AVENUE

LEGEND OF SYMBOLS

SYMBOL	DESCRIPTION
A	INTERMITTENT COMBINATION CONCRETE CURB & GUTTER, TYPE B-6.12 (MOD.)
B	INTERMITTENT PORTLAND CEMENT CONCRETE SIDEWALK, 5"
C	EXISTING SUB-BASE GRANULAR MATERIAL, 4"
D	EXISTING HOT-MIX ASPHALT SURFACE COURSE, 2"
E	EXISTING HOT-MIX ASPHALT BINDER COURSE, 2"
F	EXISTING CONCRETE BASE COURSE, 8"
G	EXISTING BRICK PAVER BASE COURSE
H	PROPOSED HOT-MIX ASPHALT SURFACE REMOVAL, 2-1/2"
I	PROPOSED POLYMERIZED LEVELING BINDER (MACHINE METHOD), IL-4.75, N50, MINIMUM 3/4"
J	PROPOSED HOT-MIX ASPHALT SURFACE COURSE, MIX C, N50, 1-3/4"

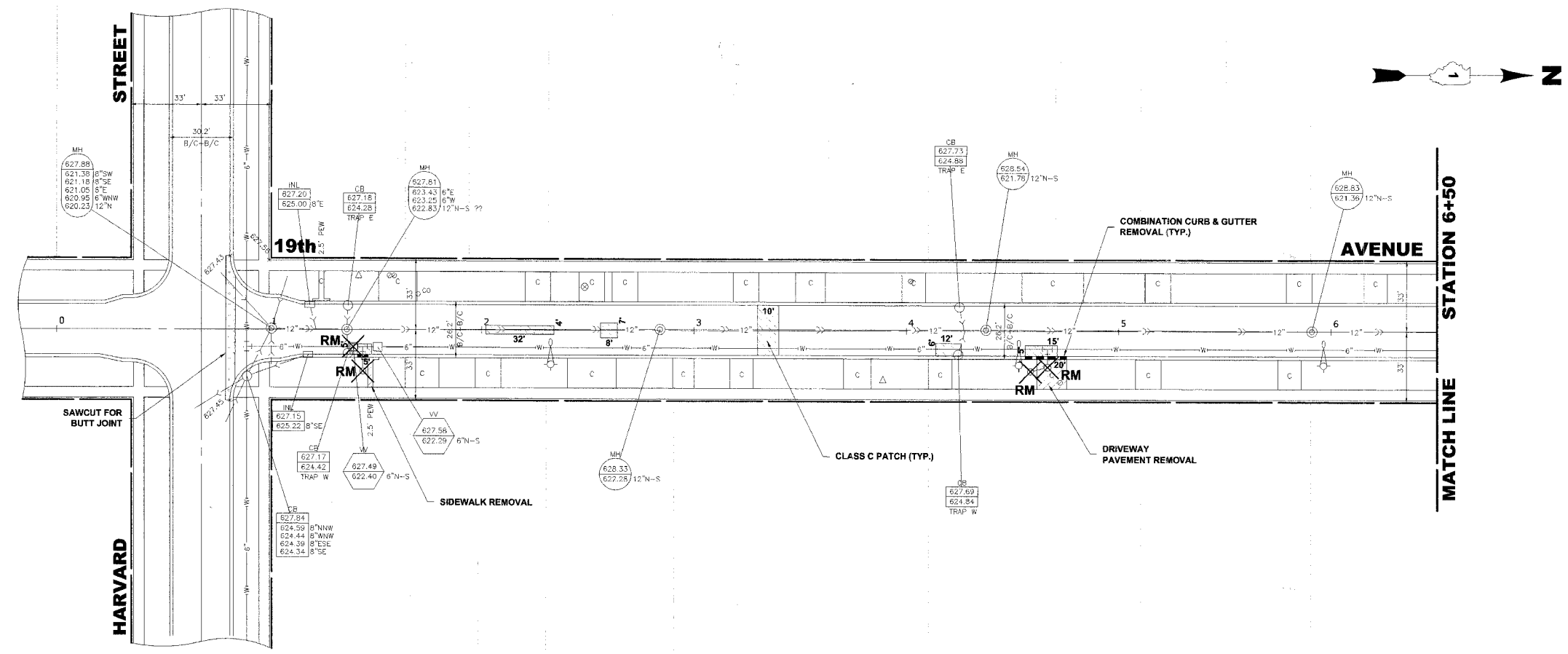
HOT-MIX ASPHALT (HMA) MIXTURE REQUIREMENTS

ITEM	A C TYPE	VOIDS
HMA SURFACE COURSE, MIX C, N50, IL-9.5 MM	PG 64-22	4% @ 50 GYR.
POLYMERIZED LEVELING BINDER (MACHINE METHOD), IL-4.75, N50	SBS/SBR PG 76-28/22	4% @ 50 GYR.

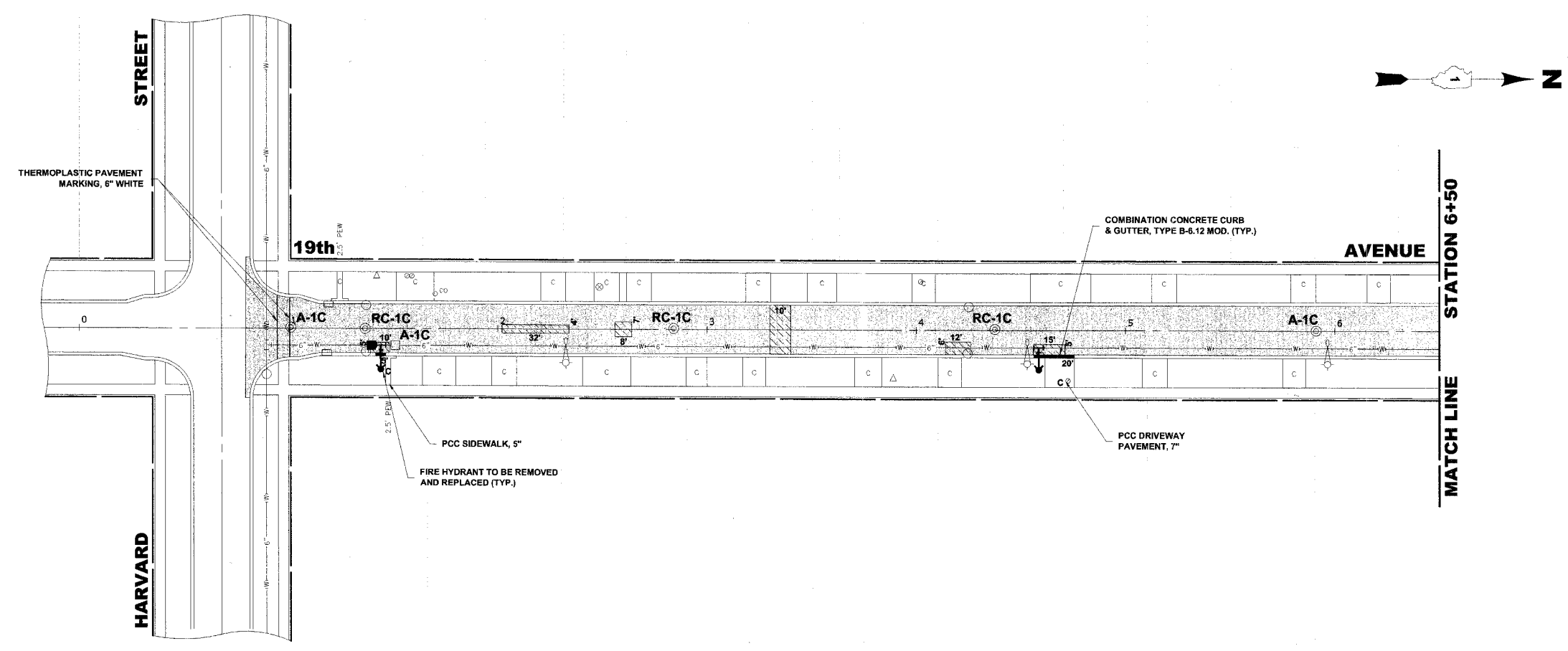
* THE UNIT WEIGHT USED TO CALCULATE ALL HMA SURFACE COURSE IS 112 LBS/SQYD/IN AND THE UNIT WEIGHT USED TO CALCULATE POLYMERIZED LEVELING BINDER IS 105 LBS/SQYD/IN.
* WHEN RAP EXCEEDS 20%, THE NEW ASPHALT BINDER IN THE MIX SHALL BE PG 58-22.

Drawing file: W:\Projects\56506319 - High Priority Grant\TSEC05.dwg Apr 11, 2007 - 2:00pm

ROUTE NO.	SECTION	COUNTY	TOTAL SHEETS	SHEET NO.
VARIOUS	**	COOK	22	8
ILLINOIS PROJECT		HPP-1719 (001)		
VILLAGE SECTION		06-00121-00-PV		
CONTRACT NO. 83937				



EXISTING TOPOGRAPHY



PROPOSED IMPROVEMENT

Drawing file: W:\Projects\06-00121-00-PV\007 STREETS WEST.dwg Apr 11, 2007 - 2:04pm

HANCOCK ENGINEERING ♦ Civil Engineers
 ♦ Municipal Consultants
 ♦ Established 1911

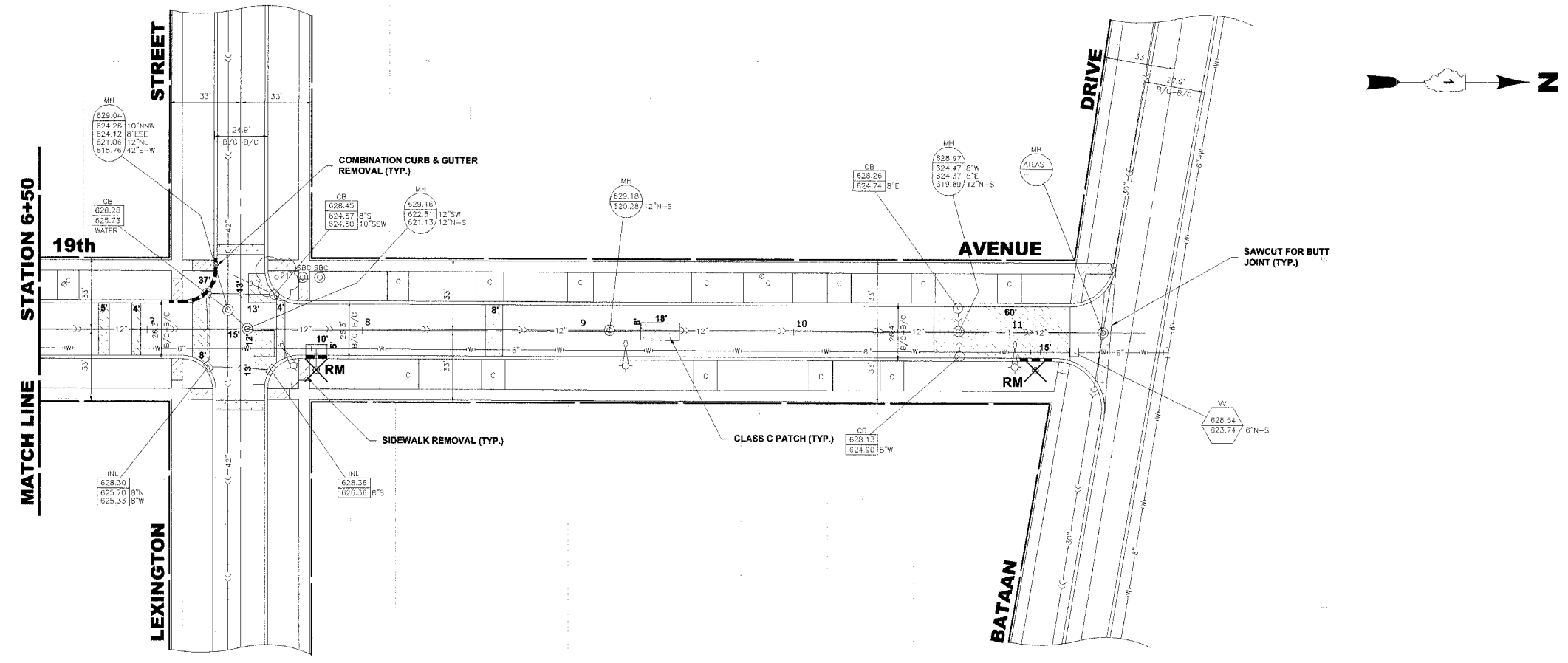
9933 Roosevelt Road
 Westchester, Illinois 60154-2780
 Phone: 708/865-0300
 Fax: 708/865-1212

**ROADWAY RESURFACING (LAPP)
 PROJECT HPP-1717 (001)
 VILLAGE OF MAYWOOD, ILLINOIS**

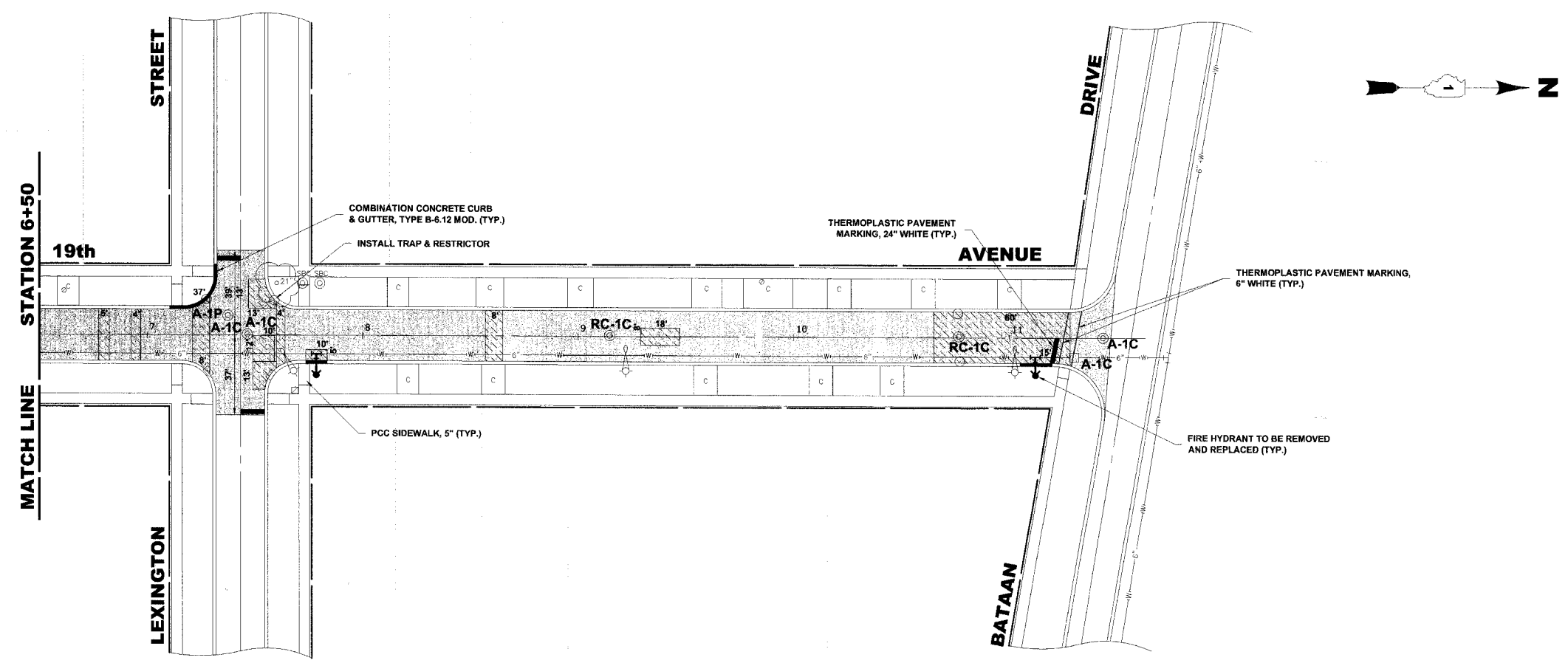
**19th AVENUE
 PAVING PLAN**

SCALE:	1" = 30'	SHEET 8 / 22
DRAWN BY:	LEV/ECW	
BOOK NO.:	1484/1516/1538	
DATE:	4-12-07	
REVISION:	E.H.E. NO.: 565-06-35901	OF

ROUTE NO.	SECTION	COUNTY	TOTAL SHEETS	SHEET NO.
VARIOUS	**	COOK	22	9
ILLINOIS PROJECT HPP-1719 (001)				
VILLAGE SECTION 06-00121-00-PV				
CONTRACT NO. 83937				



EXISTING TOPOGRAPHY



PROPOSED IMPROVEMENT

Drawing file: W:\Projects\65606358 - High Priority\cema\2007 STREETS WEST.dwg Apr 11, 2007 - 2:04pm

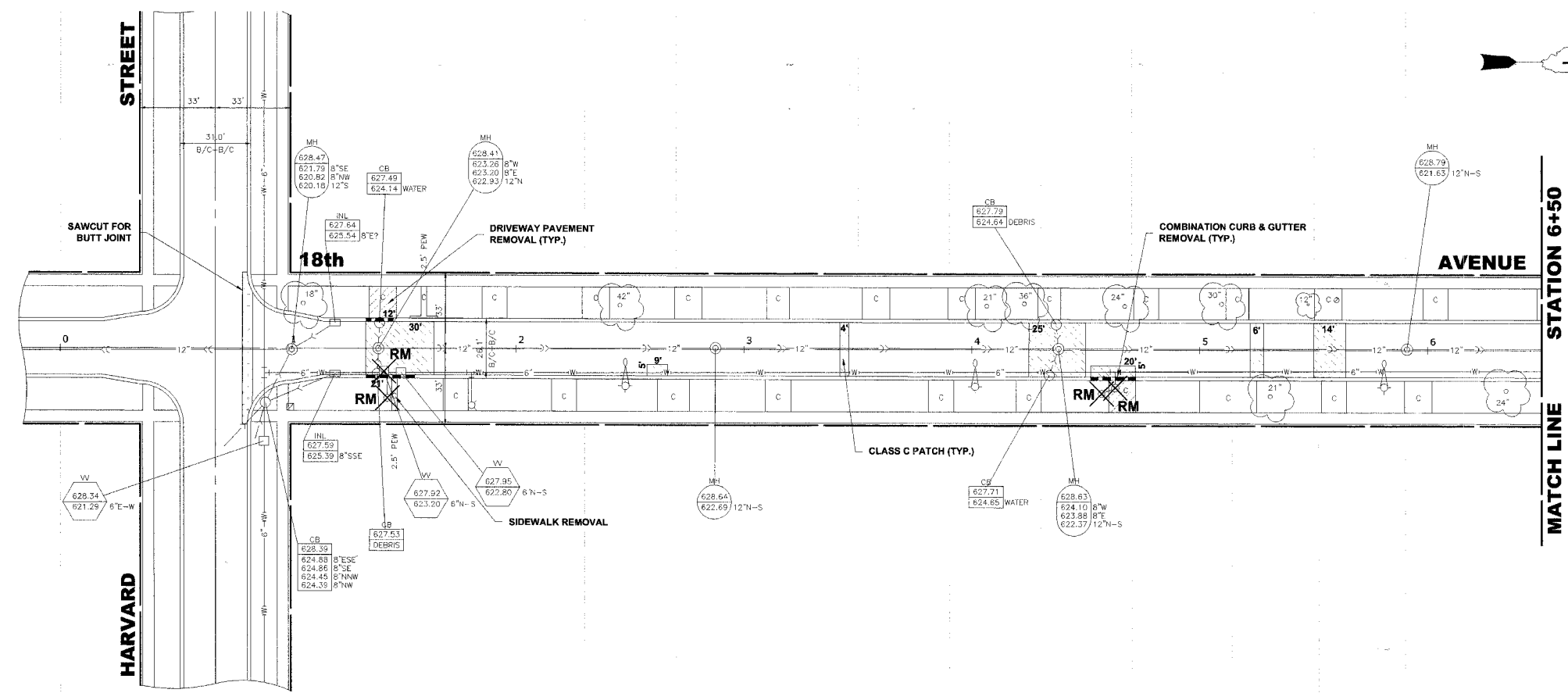
	◆ Civil Engineers	9933 Roosevelt Road
	◆ Municipal Consultants	Westchester, Illinois 60154-2780
	◆ Established 1911	Phone: 708/865-0300
		Fax: 708/865-1212

ROADWAY RESURFACING (LAPP)
PROJECT HPP-1717 (001)
VILLAGE OF MAYWOOD, ILLINOIS

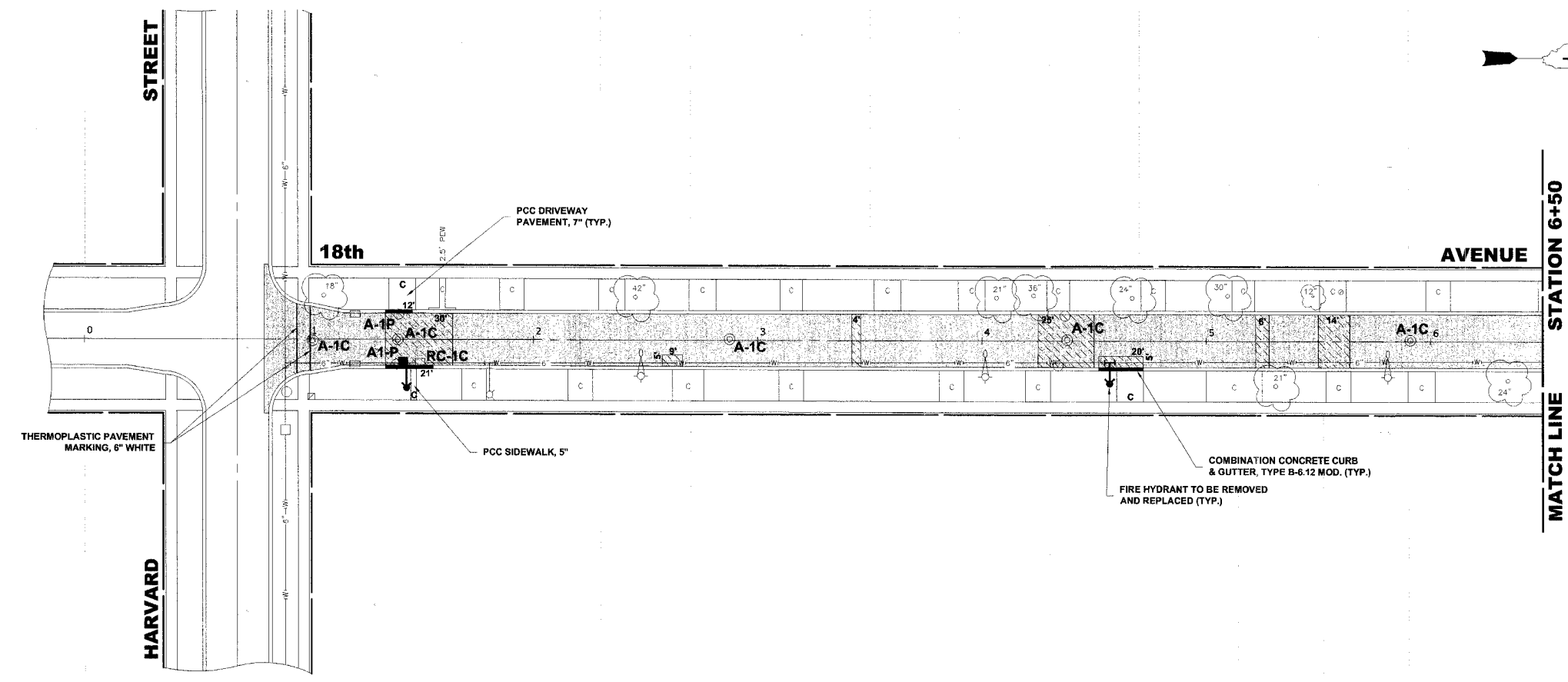
19th AVENUE
PAVING PLAN

SCALE:	1" = 30'	SHEET 9 / 22
DRAWN BY:	LEV/ECW	
BOOK NO.:	1484/1516/1538	
DATE:	4-12-07	
E.H.E. NO.:	565-06-35901	
REVISION:		OF

ROUTE NO.	SECTION	COUNTY	TOTAL SHEETS	SHEET NO.
VARIOUS	**	COOK	22	10
ILLINOIS PROJECT		HPP-1719 (001)		
VILLAGE SECTION		06-00121-00-PV		
CONTRACT NO. 83937				



EXISTING TOPOGRAPHY



PROPOSED IMPROVEMENT

Drawing file: W:\Projects\66506359 - High Priority Comm\2007 STREETS WEST.dwg Apr 11, 2007 - 2:04pm

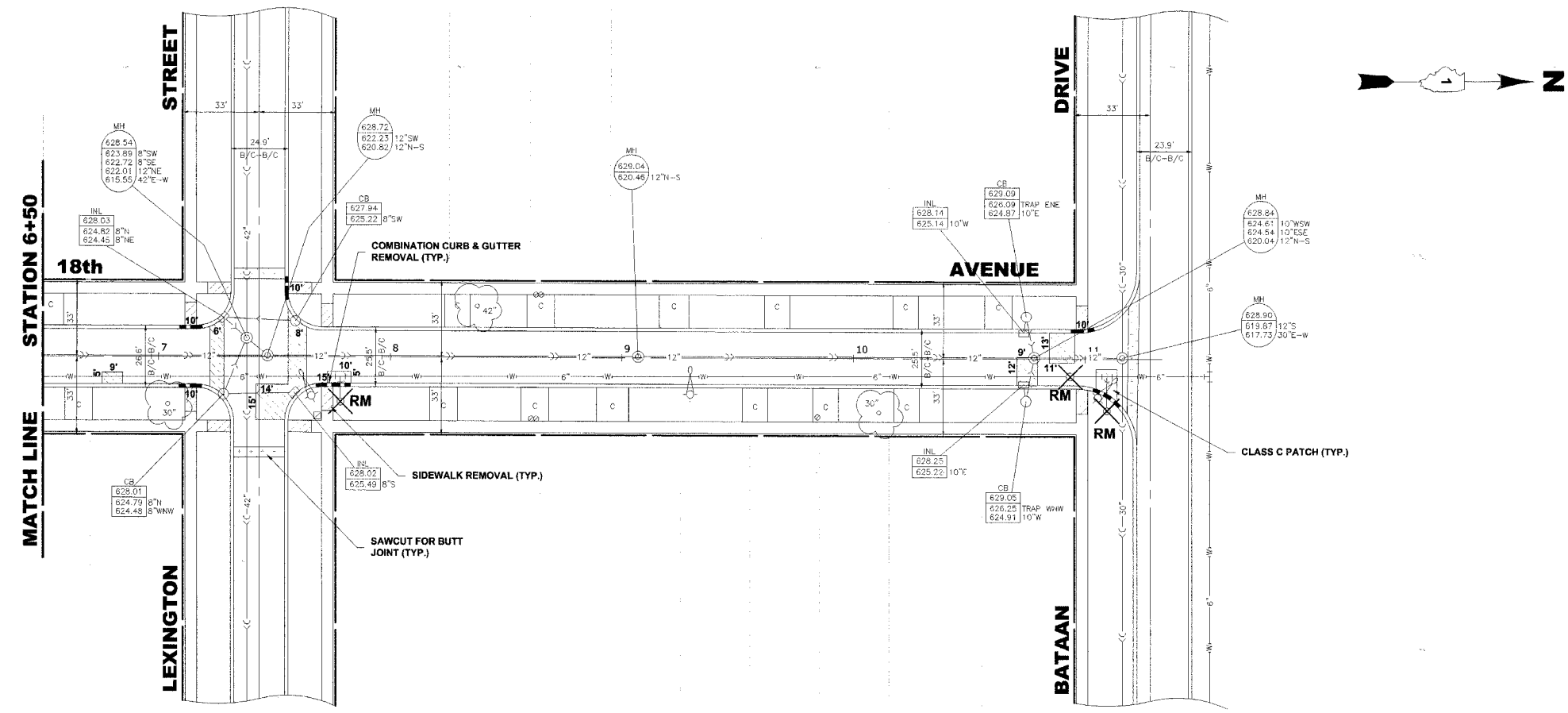
	◆ Civil Engineers	9933 Roosevelt Road
	◆ Municipal Consultants	Westchester, Illinois 60154-2780
	◆ Established 1911	Phone: 708/865-0300
		Fax: 708/865-1212

**ROADWAY RESURFACING (LAPP)
PROJECT HPP-1717 (001)
VILLAGE OF MAYWOOD, ILLINOIS**

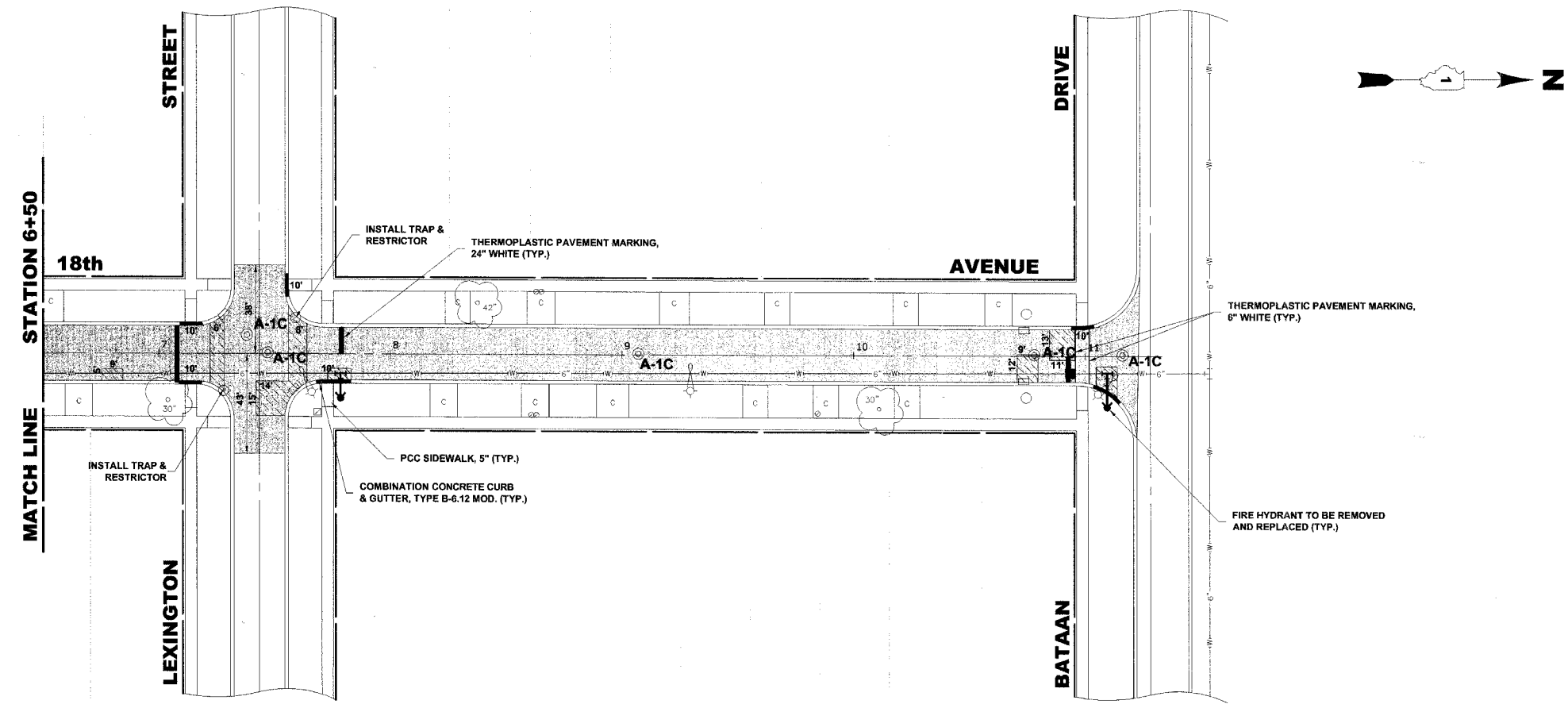
**18th AVENUE
PAVING PLAN**

SCALE:	1" = 30'	SHEET 10 / 22 OF
DRAWN BY:	LEV/ECW	
BOOK NO.:	1484/1516/1538	
DATE:	4-12-07	
REVISION:	E.H.E. NO.: 565-06-35901	

R/W/T/F. N/3	SECTION	COUNTY	TOTAL SHEETS	SHEET NO.
VARIOUS	**	COOK	22	11
ILLINOIS PROJECT HPP-1719 (001)				
VILLAGE SECTION 06-00121-00-PV				
CONTRACT NO. 83937				



EXISTING TOPOGRAPHY



PROPOSED IMPROVEMENT

Drawing file: W:\Projects\55655559 - High Priority\Grant\2007 STREETS WEST.dwg Apr 11, 2007 - 2:04pm



♦ Civil Engineers
 ♦ Municipal Consultants
 ♦ Established 1911

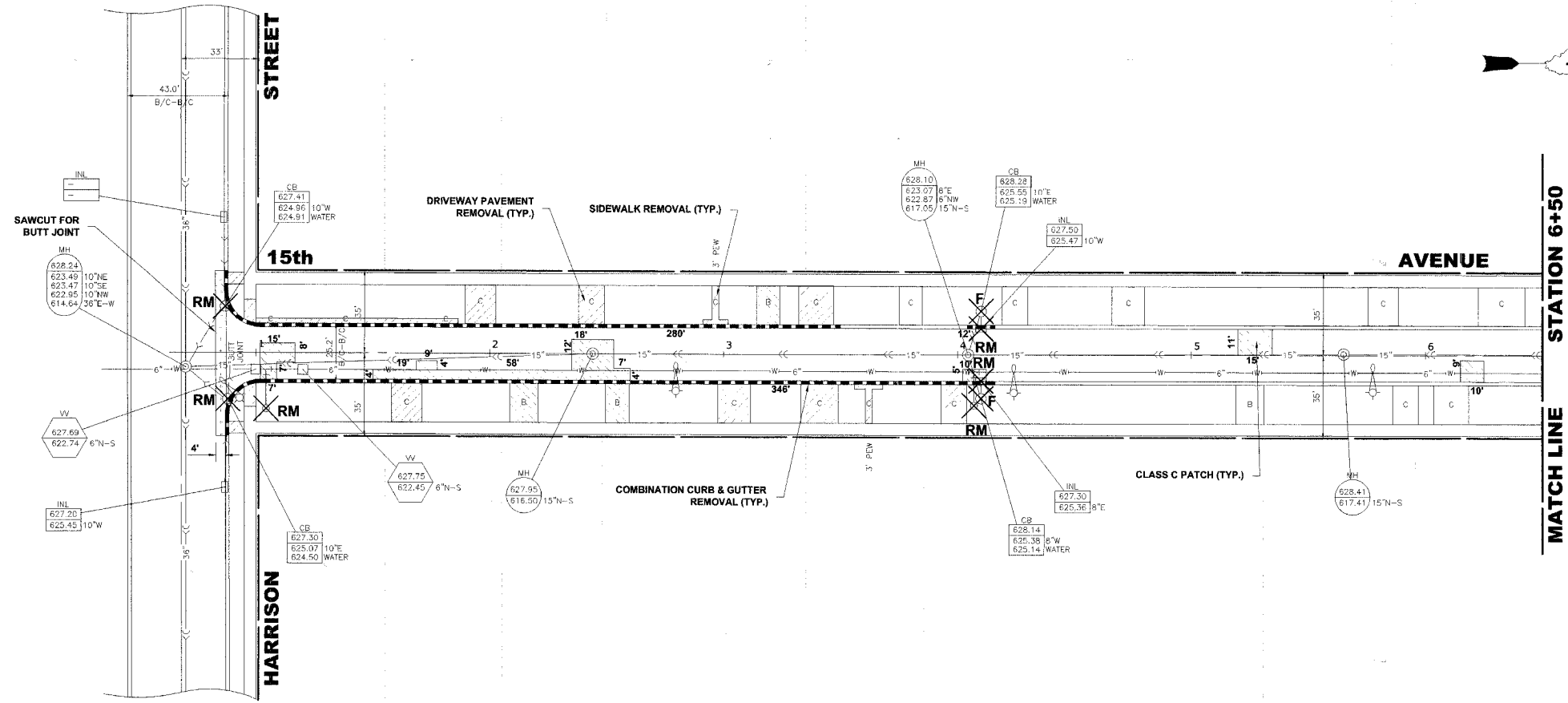
9933 Roosevelt Road
 Westchester, Illinois 60154-2780
 Phone: 708/865-0300
 Fax: 708/865-1212

ROADWAY RESURFACING (LAPP)
PROJECT HPP-1717 (001)
VILLAGE OF MAYWOOD, ILLINOIS

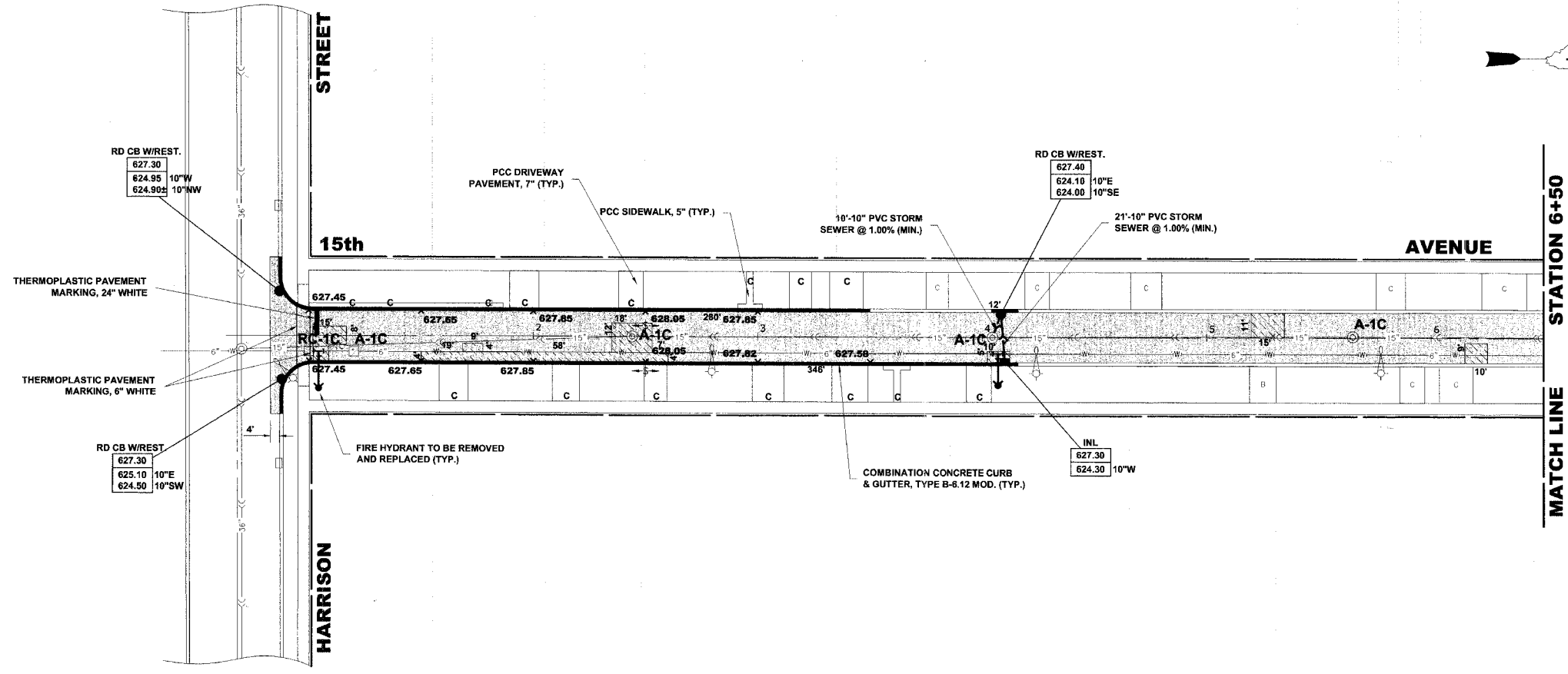
18th AVENUE
PAVING PLAN

SCALE:	1" = 30'	SHEET 11 OF 22
DRAWN BY:	LEV/ECW	
BOOK NO.:	1484/1516/1538	
DATE:	4-12-07	
REVISION:	E.H.E. NO.: 565-06-35901	

ROUTE NO.	SECTION	COUNTY	TOTAL SHEETS	SHEET NO.
VARIOUS	**	COOK	22	12
ILLINOIS PROJECT HPP-1719 (001)				
VILLAGE SECTION 06-00121-00-PV				
CONTRACT NO. 83937				



EXISTING TOPOGRAPHY



PROPOSED IMPROVEMENT

Drawing file: W:\Projects\56505599 - High Priority Grant\2007 STREETS CENTRAL.dwg Apr 11, 2007 - 2:01 pm



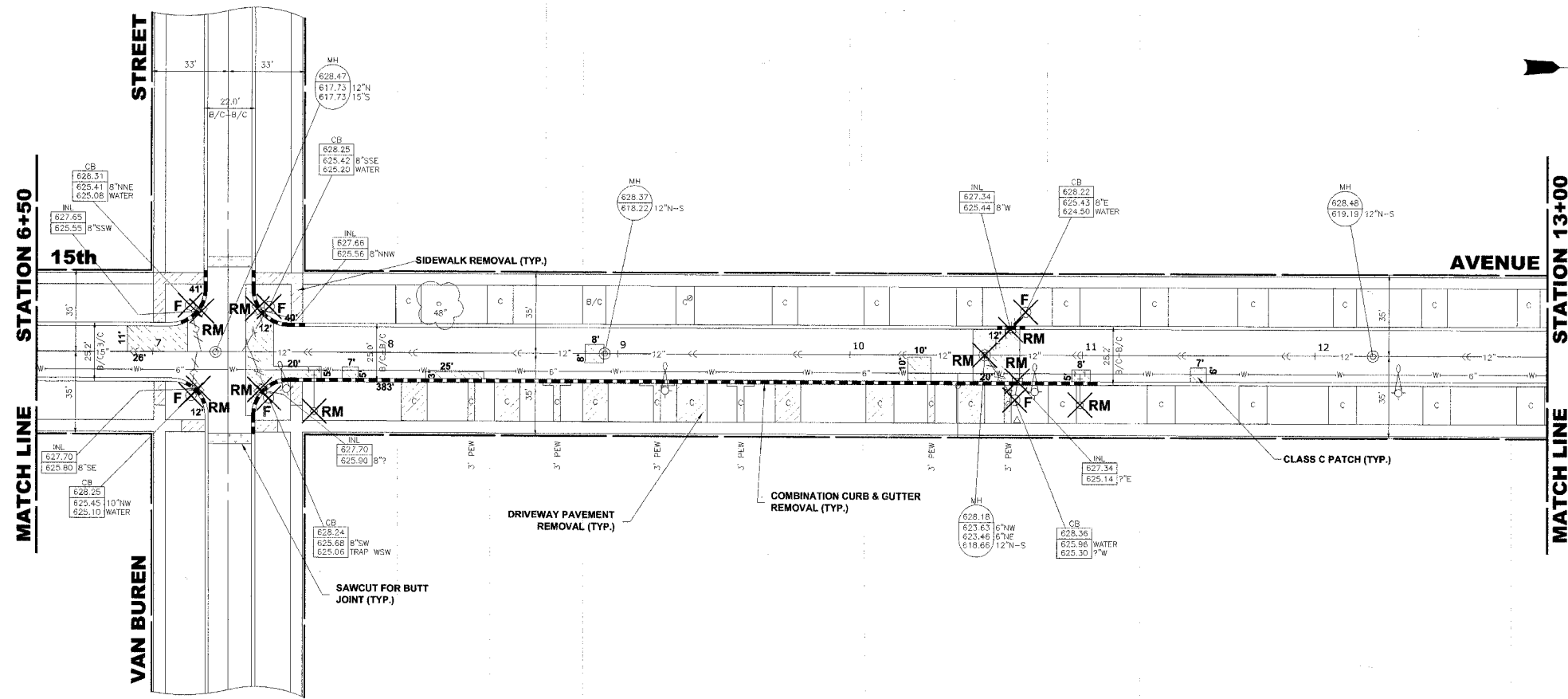
♦ Civil Engineers
 ♦ Municipal Consultants
 ♦ Established 1911
 9933 Roosevelt Road
 Westchester, Illinois 60154-2780
 Phone: 708/865-0300
 Fax: 708/865-1212

ROADWAY RESURFACING (LAPP)
PROJECT HPP-1717 (001)
VILLAGE OF MAYWOOD, ILLINOIS

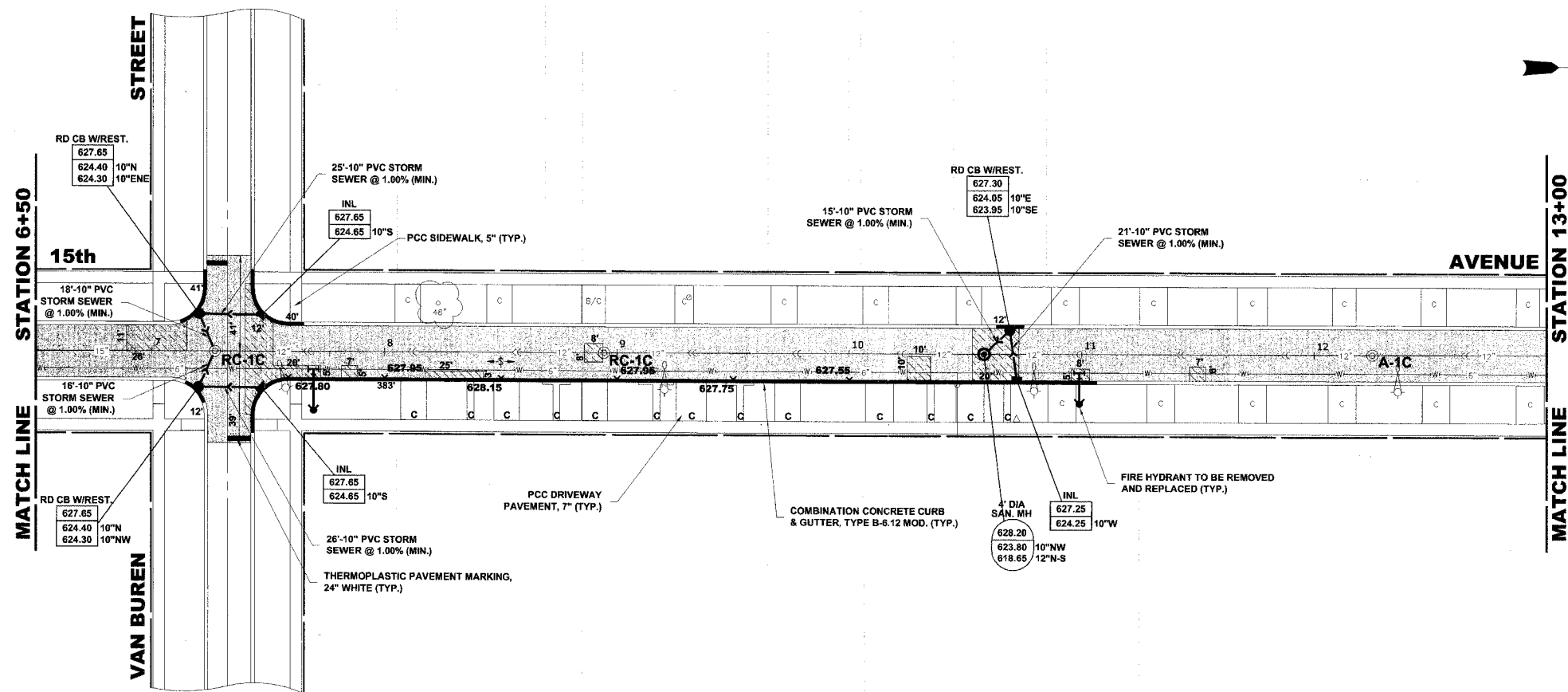
15th AVENUE
PAVING PLAN

SCALE:	1" = 30'	SHEET 12 OF 22
DRAWN BY:	LEV/ECW	
BOOK NO.:	1484/1516/1538	
DATE:	4-12-07	
REVISION:	E.H.E. NO.: 565-06-35901	

ROUTE NO.	SECTION	COUNTY	TOTAL SHEETS	SHEET NO.
VARIOUS	**	COOK	22	13
ILLINOIS PROJECT		HPP-1719 (001)		
VILLAGE SECTION		06-00121-00-PV		
CONTRACT NO. 83937				



EXISTING TOPOGRAPHY



PROPOSED IMPROVEMENT

Drawing File: W:\Projects\65506259 - High Priority\Drawn\2007 STREETS - CENTRAL.dwg Apr 11, 2007 - 2:01pm



♦ Civil Engineers
 ♦ Municipal Consultants
 ♦ Established 1911

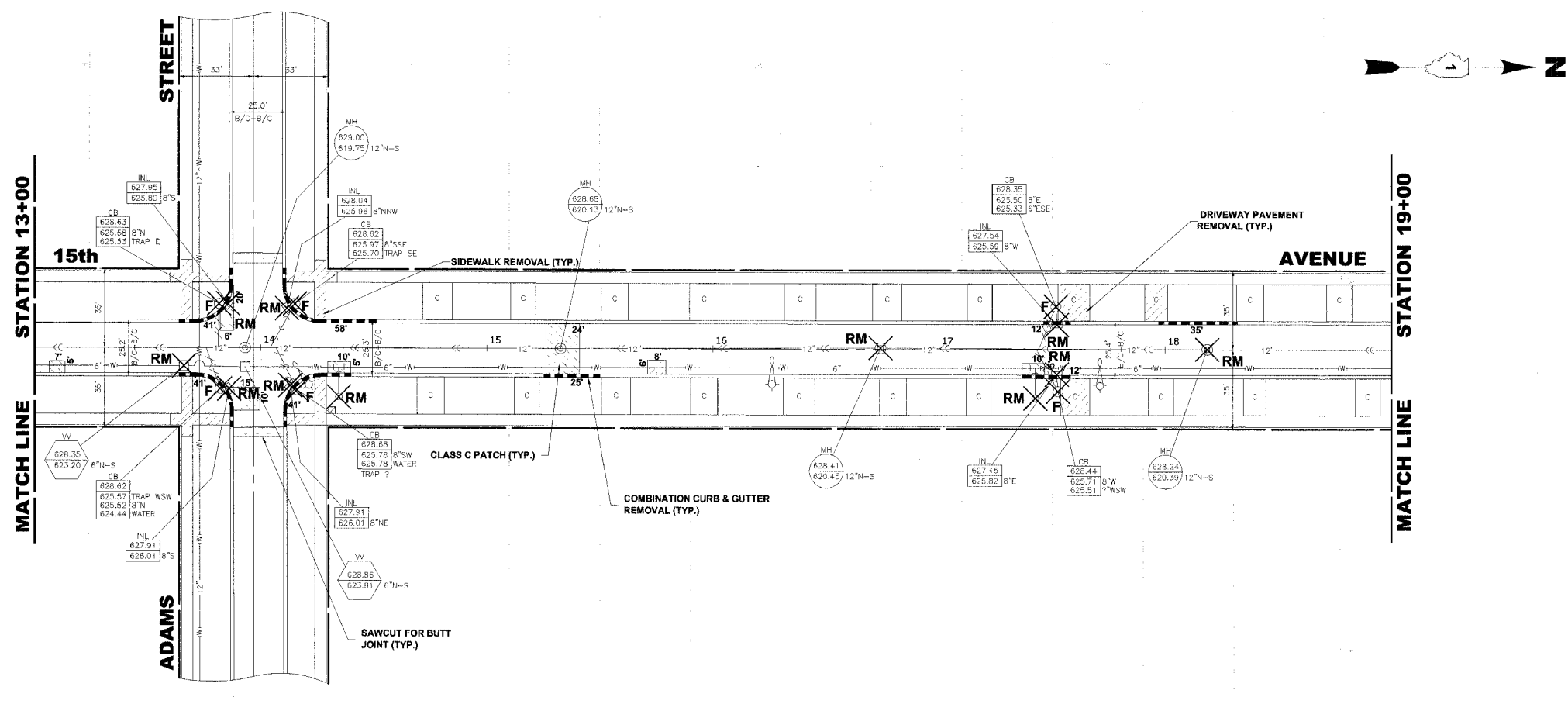
9933 Roosevelt Road
 Westchester, Illinois 60154-2780
 Phone: 708/865-0300
 Fax: 708/865-1212

ROADWAY RESURFACING (LAPP)
PROJECT HPP-1717 (001)
VILLAGE OF MAYWOOD, ILLINOIS

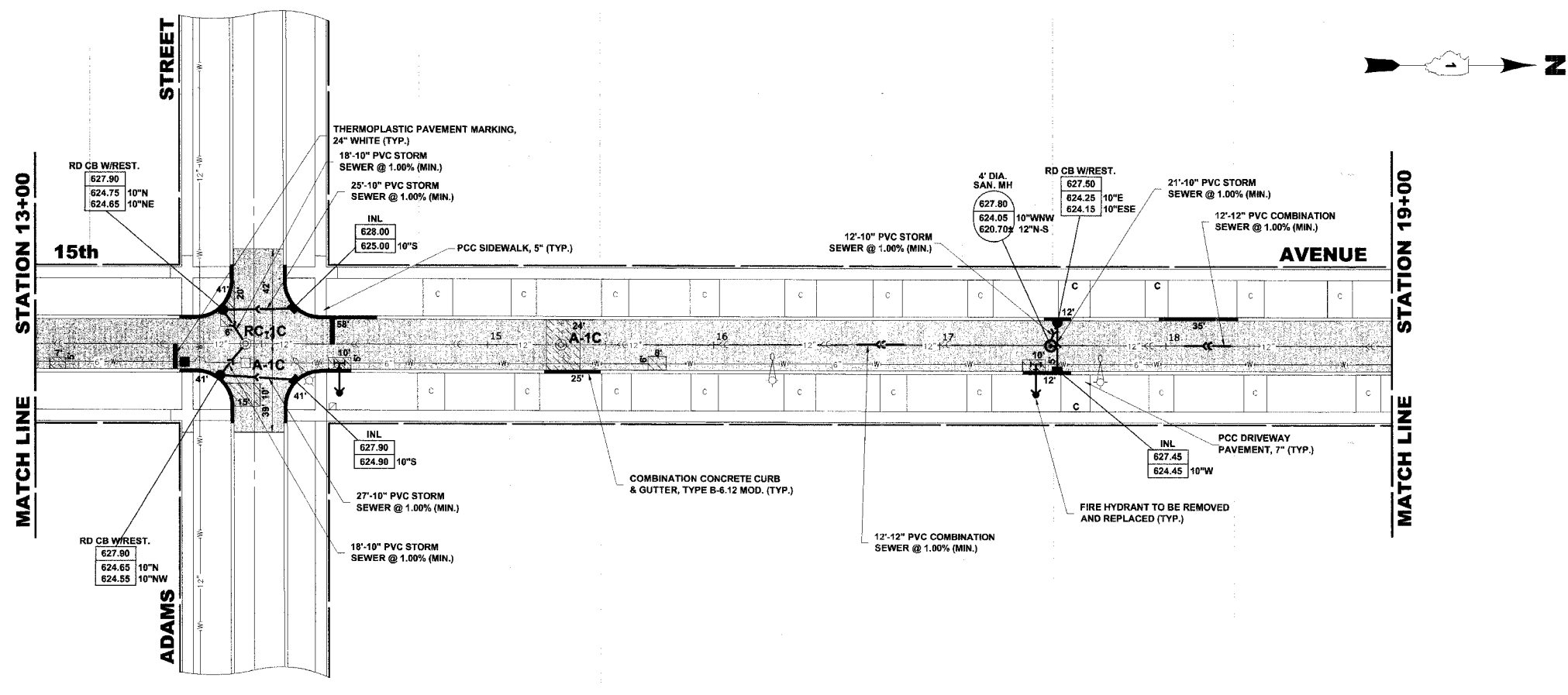
15th AVENUE
PAVING PLAN

SCALE:	1" = 30'	SHEET 13 OF 22
DRAWN BY:	LEV/ECW	
BOOK NO.:	1484/1516/1538	
DATE:	4-12-07	
REVISION:	E.H.E. NO.: 565-06-35901	

ROUTE NO.	SECTION	COUNTY	TOTAL SHEETS	SHEET NO.
VARIOUS	**	COOK	22	14
ILLINOIS PROJECT HPP-1719 (001)				
VILLAGE SECTION 06-00121-00-PV				
CONTRACT NO. 83937				



EXISTING TOPOGRAPHY



PROPOSED IMPROVEMENT

Drawing File: W:\Projects\65050559 - High Priority\Drawn\2007 STREETS CENTRAL.dwg Apr 11, 2007 - 2:01pm

HANCOCK ENGINEERING ♦ Civil Engineers ♦ Municipal Consultants ♦ Established 1911

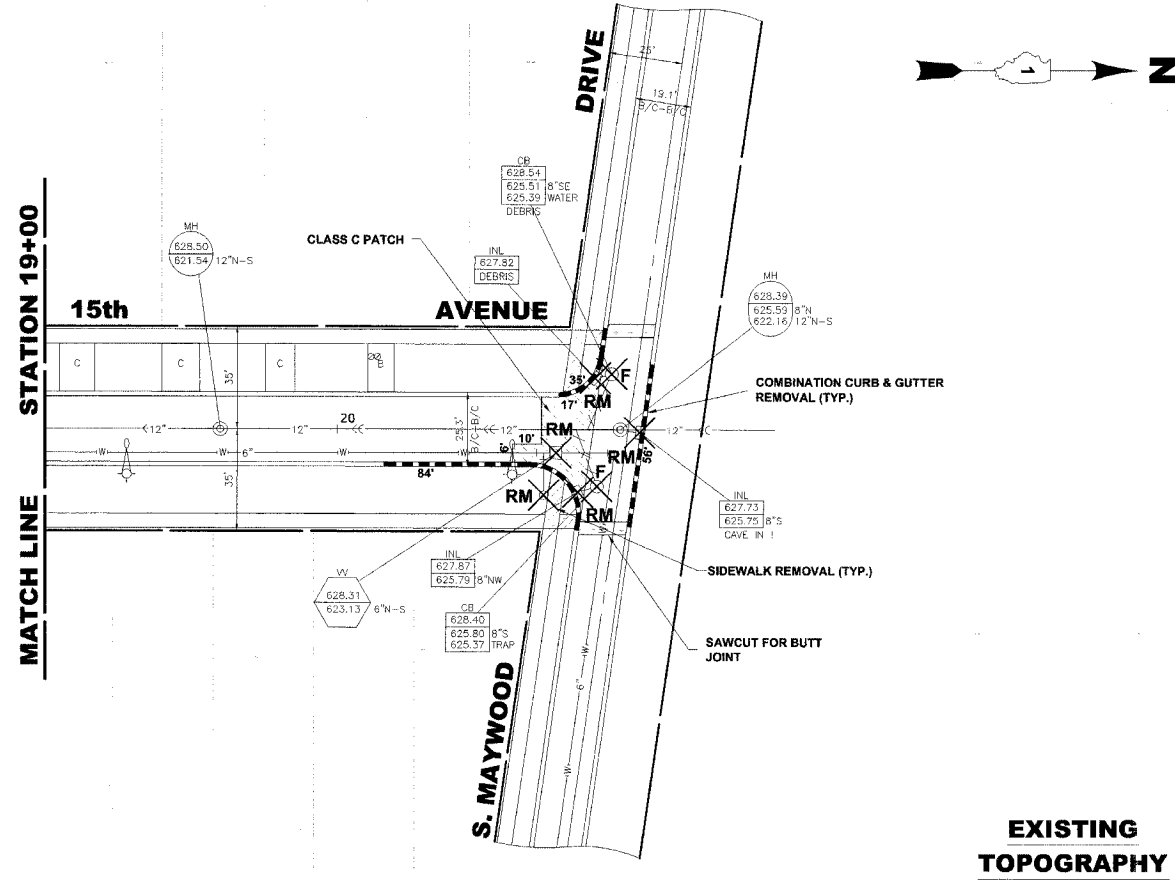
9933 Roosevelt Road
Westchester, Illinois 60154-2780
Phone: 708/865-0300
Fax: 708/865-1212

**ROADWAY RESURFACING (LAPP)
PROJECT HPP-1717 (001)
VILLAGE OF MAYWOOD, ILLINOIS**

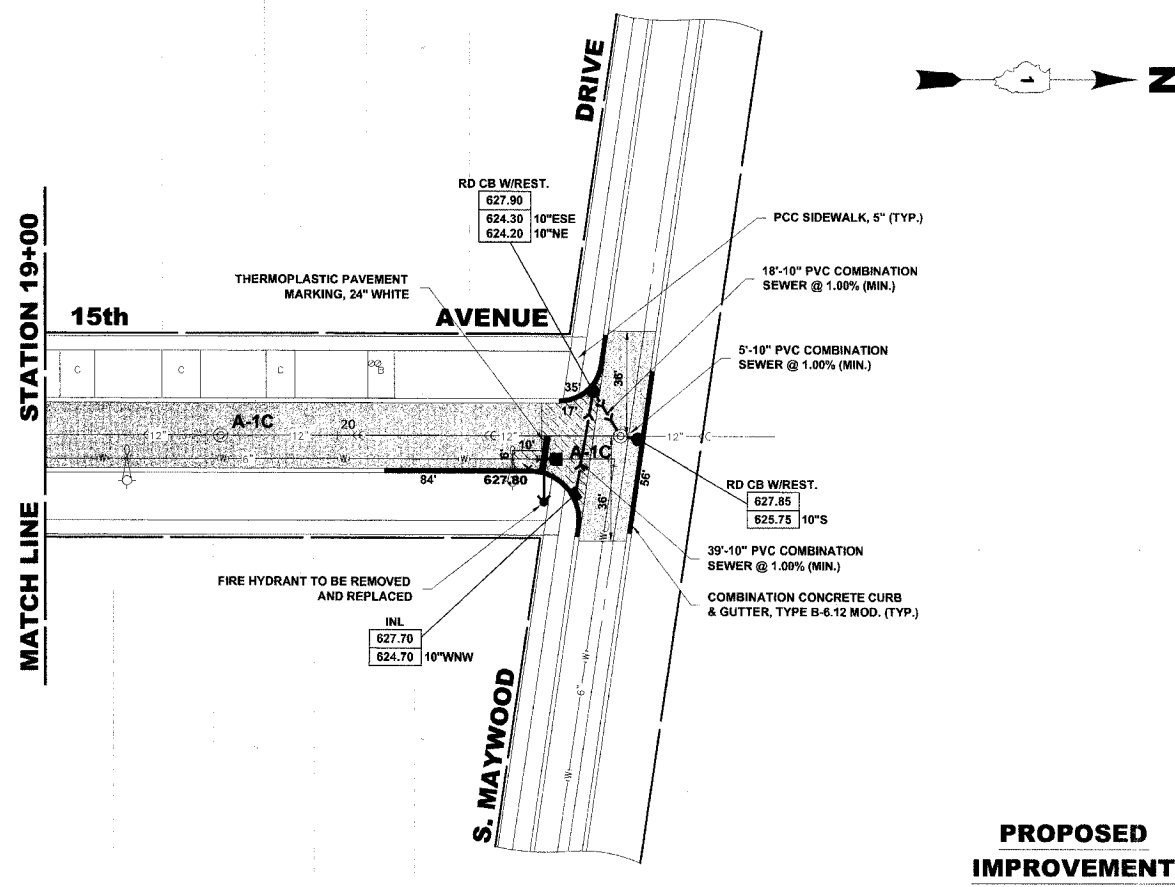
**15th AVENUE
PAVING PLAN**

SCALE:	1" = 30'	SHEET 14 22
DRAWN BY:	LEV/ECW	
BOOK NO.:	1484/1516/1538	
DATE:	4-12-07	
REVISION:	E.H.E. NO.: 565-06-35901	CF

ROUTE NO.	SECTION	COUNTY	TOTAL SHEETS	SHEET NO.
VARIOUS	**	COOK	22	15
ILLINOIS PROJECT HPP-1719 (001)				
VILLAGE SECTION 06-00121-00-PV				
CONTRACT NO. 83937				



EXISTING TOPOGRAPHY



PROPOSED IMPROVEMENT

Drawing file: W:\Projects\56506359 - High Priority\Drawn\2007 STREETS CENTRAL.dwg Apr 11, 2007 - 2:01pm



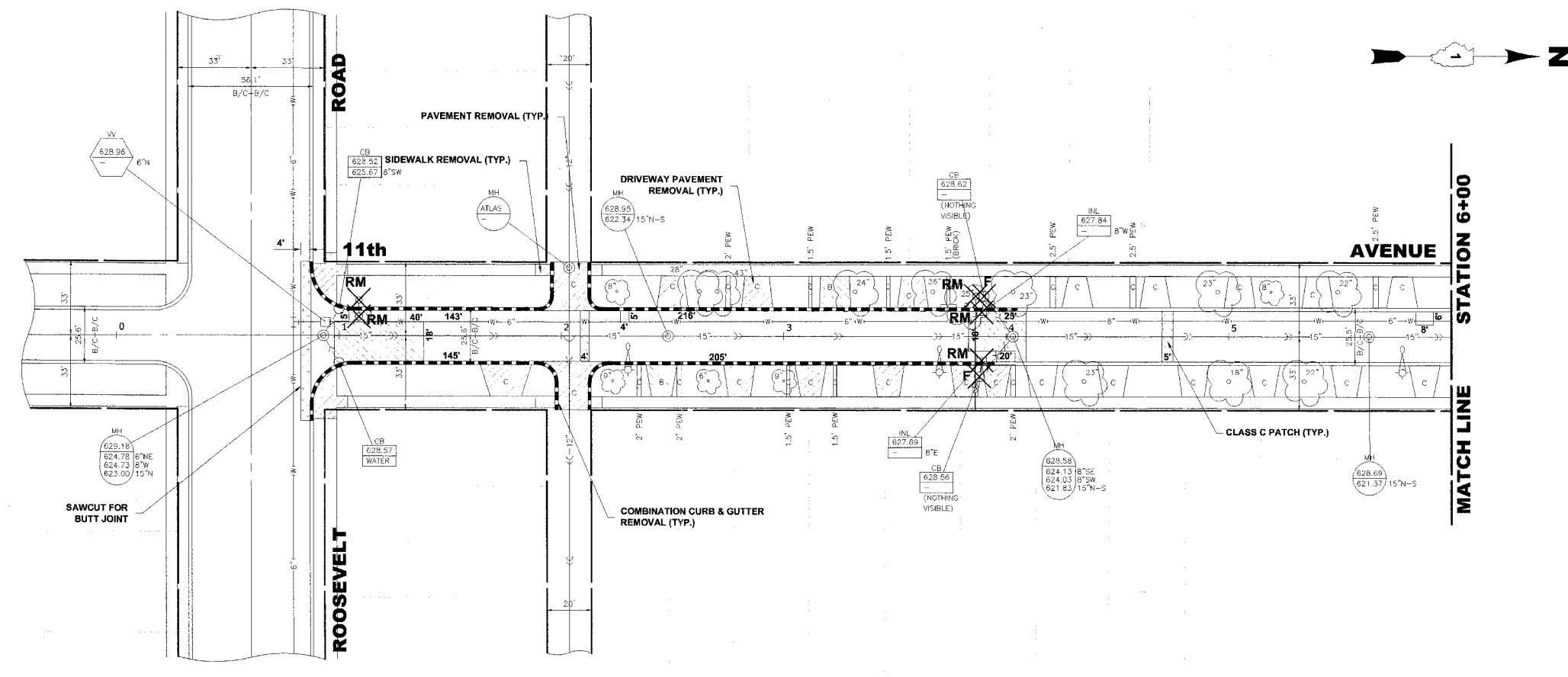
♦ Civil Engineers
 ♦ Municipal Consultants
 ♦ Established 1911
 9933 Roosevelt Road
 Westchester, Illinois 60154-2780
 Phone: 708/865-0300
 Fax: 708/865-1212

ROADWAY RESURFACING (LAPP)
PROJECT HPP-1717 (001)
VILLAGE OF MAYWOOD, ILLINOIS

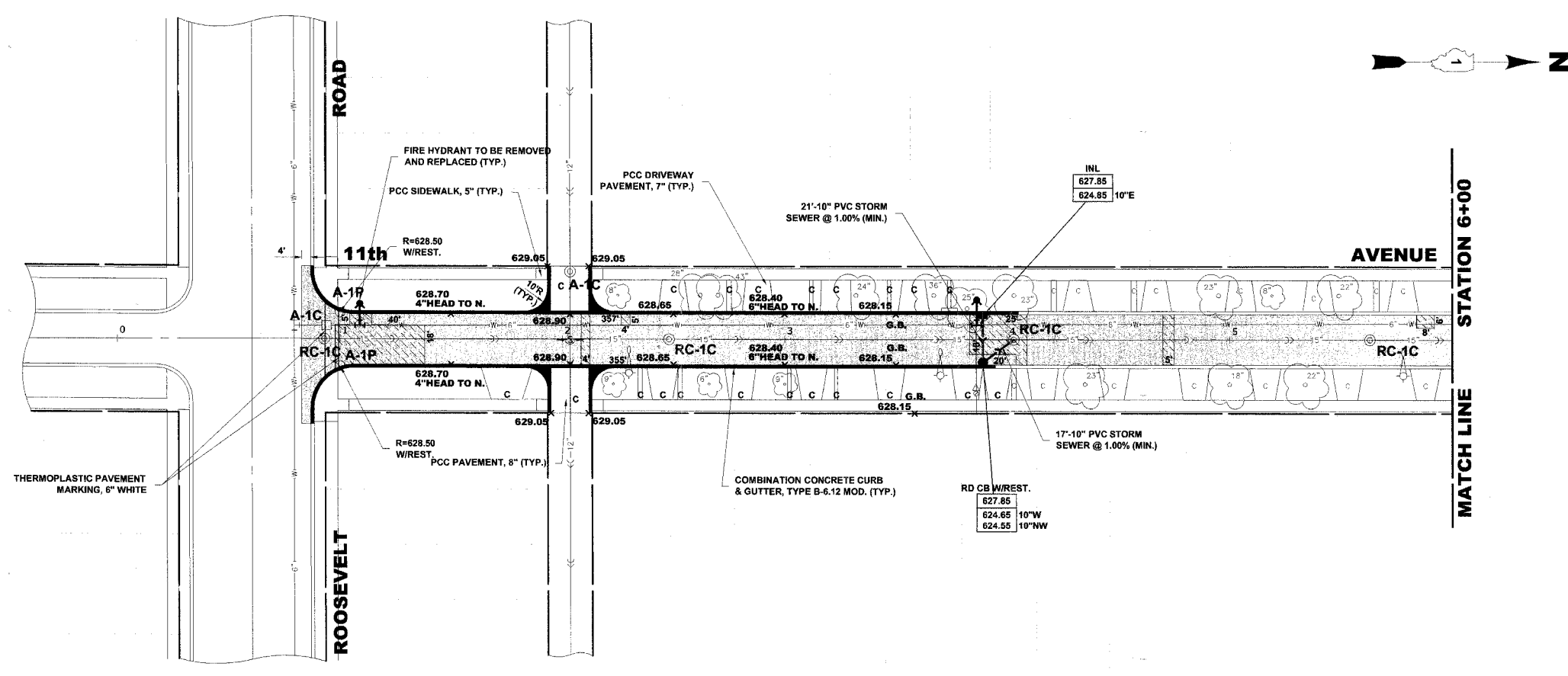
15th AVENUE
PAVING PLAN

SCALE:	1" = 30'	SHEET 15 OF 22
DRAWN BY:	LEV/ECW	
BOOK NO.:	1484/1516/1538	
DATE:	4-12-07	
REVISION:	E.H.E. NO. 565-06-35901	

ROUTE NO.	SECTION	COUNTY	TOTAL SHEETS	SHEET NO.
VARIOUS	**	COOK	22	16
ILLINOIS PROJECT		HPP-1719 (001)		
VILLAGE SECTION		06-00121-00-PV		
CONTRACT NO. 83937				



EXISTING TOPOGRAPHY



PROPOSED IMPROVEMENT

Drawing file: W:\Projects\06000359 - High Priority\Grant\1007 STREETS - CENTRAL.dwg Apr 11, 2007 - 2:02pm

HANCOCK ENGINEERING ♦ Civil Engineers ♦ Municipal Consultants ♦ Established 1911

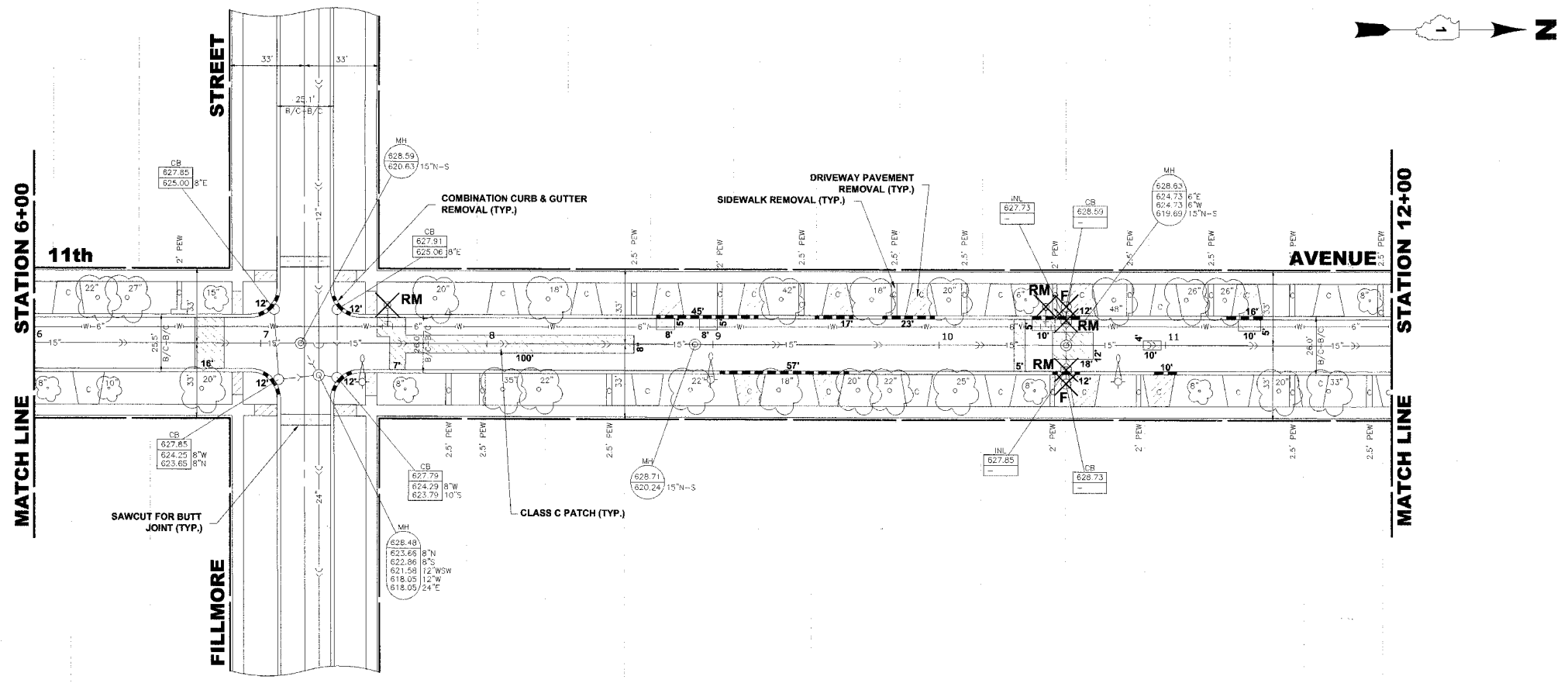
9933 Roosevelt Road
Westchester, Illinois 60154-2780
Phone: 708/865-0300
Fax: 708/865-1212

**ROADWAY RESURFACING (LAPP)
PROJECT HPP-1717 (001)
VILLAGE OF MAYWOOD, ILLINOIS**

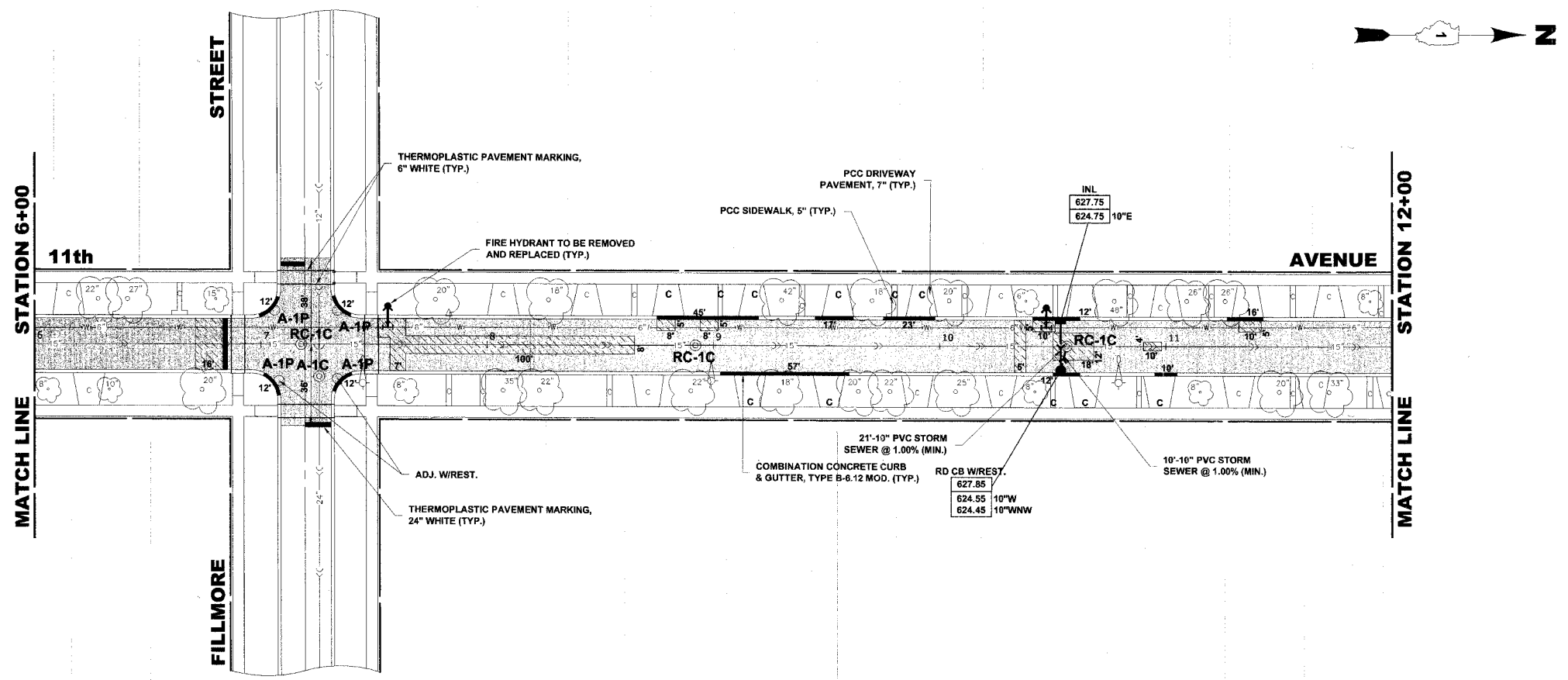
**11th AVENUE
PAVING PLAN**

SCALE:	1" = 30'	SHEET 16 / 22
DRAWN BY:	LEV/ECW	
BOOK NO.:	1484/1516/1538	OF
DATE:	4-12-07	
REVISION:	E.H.E. NO.: 565-06-35901	

ROUTE NO.	SECTION	COUNTY	TOTAL SHEETS	SHEET NO.
VARIOUS	**	COOK	22	17
ILLINOIS PROJECT HPP-1719 (001)				
VILLAGE SECTION 06-00121-00-PV				
CONTRACT NO. 83937				



EXISTING TOPOGRAPHY



PROPOSED IMPROVEMENT

Drawing file: W:\Projects\55506359 - High Priority\Grant\2007 STREETS\CENTRAL.dwg Apr 11, 2007 - 2:02pm



◆ Civil Engineers
 ◆ Municipal Consultants
 ◆ Established 1911

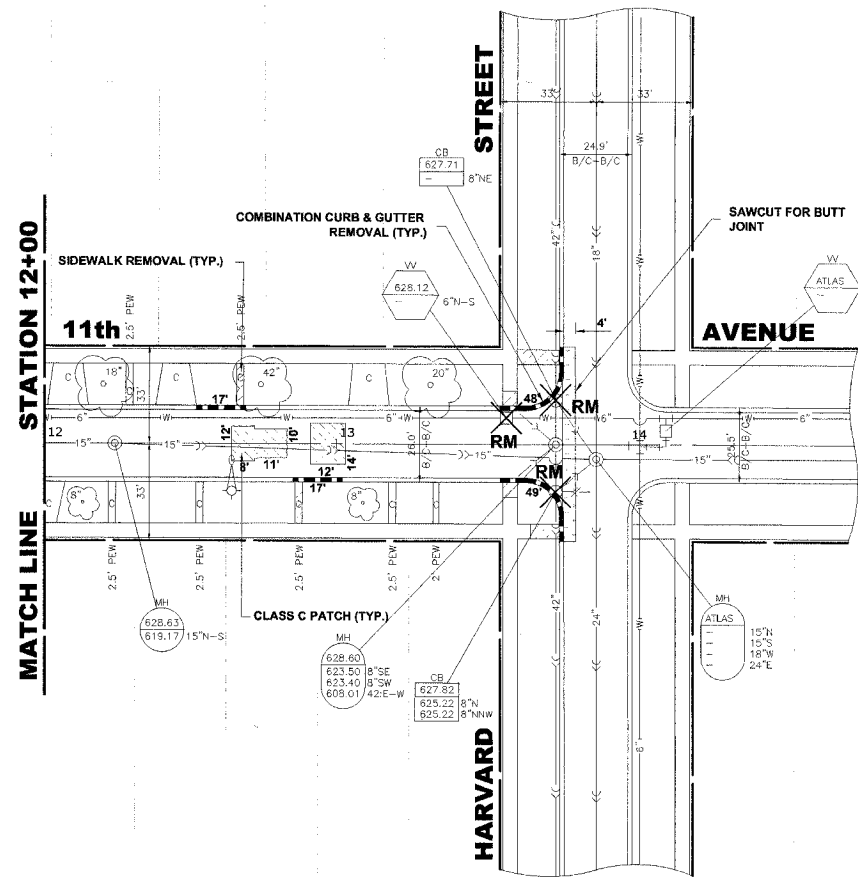
9933 Roosevelt Road
 Westchester, Illinois 60154-2780
 Phone: 708/865-0300
 Fax: 708/865-1212

**ROADWAY RESURFACING (LAPP)
 PROJECT HPP-1717 (001)
 VILLAGE OF MAYWOOD, ILLINOIS**

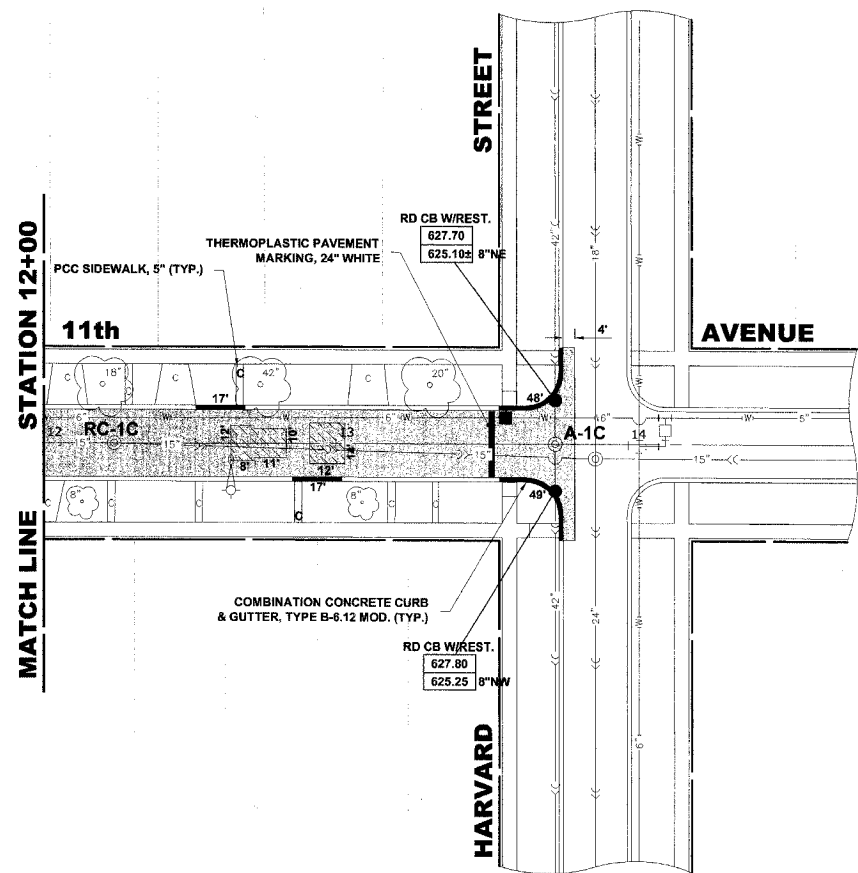
**11th AVENUE
 PAVING PLAN**

SCALE:	1" = 30'	SHEET	17 / 22
DRAWN BY:	LEV/ECW	OF	
BOOK NO.:	1484/1516/1538		
DATE:	4-12-07		
REVISION:	E.H.E. NO.: 565-06-35901		

ROUTE NO.	SECTION	COUNTY	TOTAL SHEETS	SHEET NO.
VARIOUS	**	COOK	22	18
ILLINOIS PROJECT HPP-1719 (001)				
VILLAGE SECTION 06-00121-00-PV				
CONTRACT NO. 83937				



EXISTING TOPOGRAPHY



PROPOSED IMPROVEMENT

Drawing file: W:\Projects\55505559 - High Priority Grant\2007 STREETS CENTRAL.dwg Apr 11, 2007 - 2:02pm

HANCOCK ENGINEERING ♦ Civil Engineers ♦ Municipal Consultants ♦ Established 1911

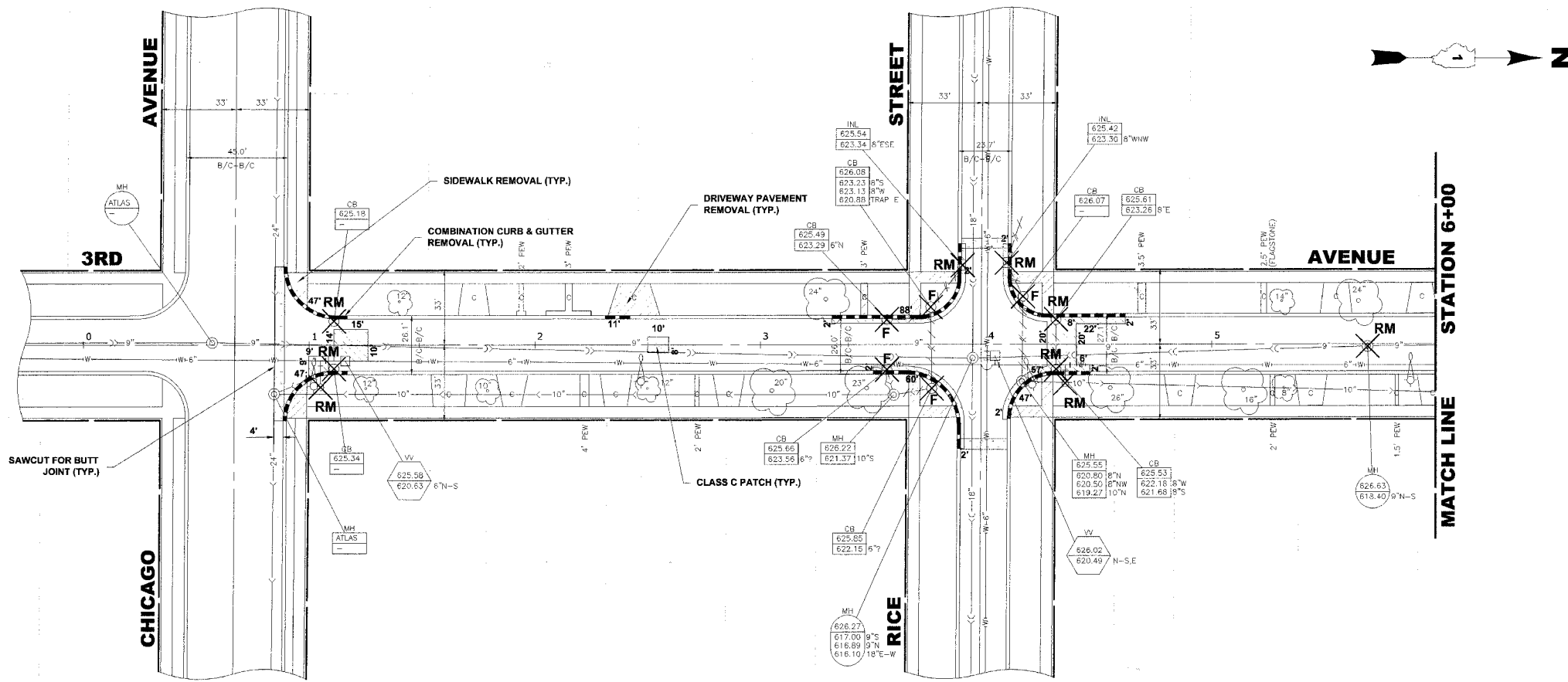
9933 Roosevelt Road
Westchester, Illinois 60154-2780
Phone: 708/865-0300
Fax: 708/865-1212

**ROADWAY RESURFACING (LAPP)
PROJECT HPP-1717 (001)
VILLAGE OF MAYWOOD, ILLINOIS**

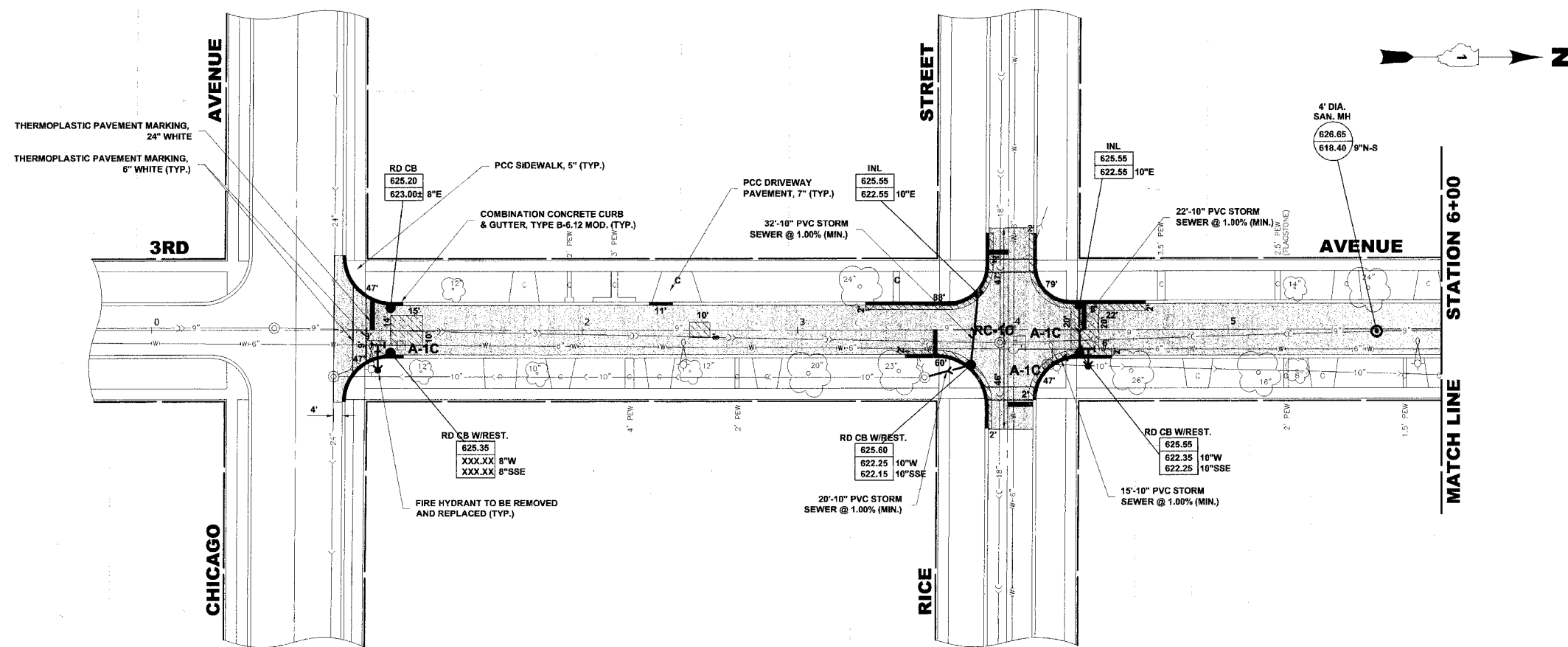
**11th AVENUE
PAVING PLAN**

SCALE:	1" = 30'	SHEET
DRAWN BY:	LEV/ECW	
BOOK NO.:	1484/1516/1538	18 / 22
DATE:	4-12-07	
E.H.E. NO.:	565-06-35901	OF

ROUTE NO.	SECTION	COUNTY	TOTAL SHEETS	SHEET NO.
VARIOUS	**	COOK	22	19
ILLINOIS PROJECT HPP-1719 (001)				
VILLAGE SECTION 06-00121-00-PV				
CONTRACT NO. 83937				



EXISTING TOPOGRAPHY



PROPOSED IMPROVEMENT

Drawing file: W:\Projects\6506359 - High Priority Area\2007 STREETS EAST.dwg Apr 11, 2007 - 2:03pm



◆ Civil Engineers
◆ Municipal Consultants
◆ Established 1911

9933 Roosevelt Road
Westchester, Illinois 60154-2780
Phone: 708/865-0300
Fax: 708/865-1212

**ROADWAY RESURFACING (LAPP)
PROJECT HPP-1717 (001)
VILLAGE OF MAYWOOD, ILLINOIS**

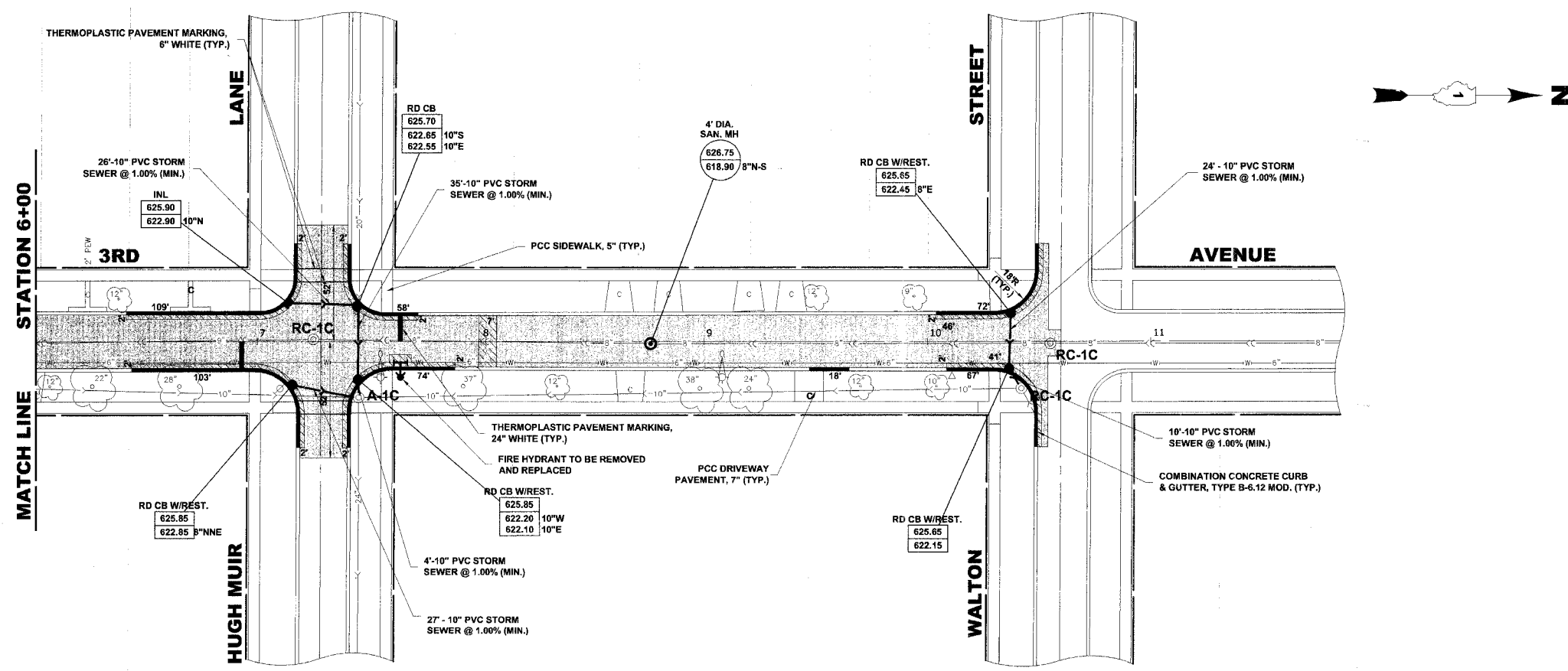
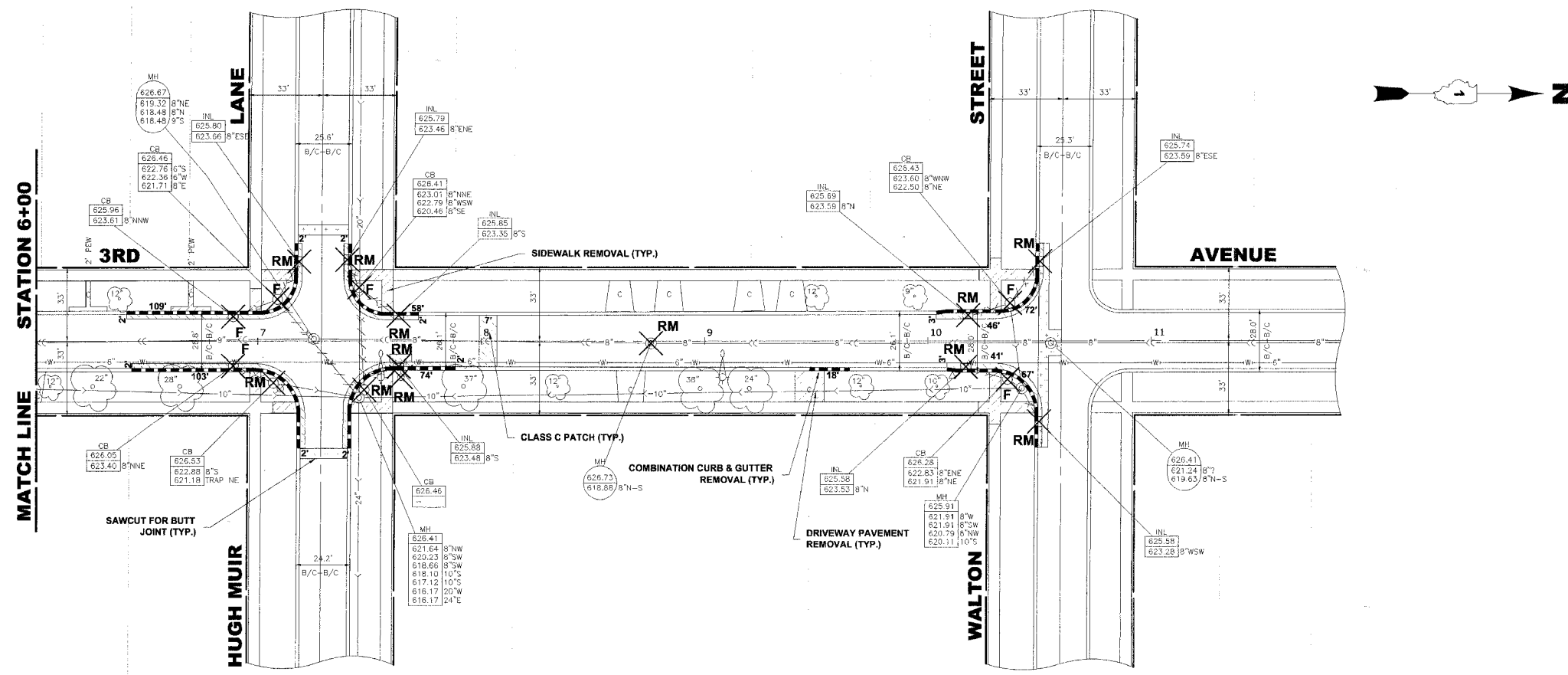
**3rd AVENUE
PAVING PLAN**

REVISION:

SCALE: 1" = 30'
DRAWN BY: LEV/ECW
BOOK NO.: 1484/1516/1538
DATE: 4-12-07
E.H.E. NO.: 565-06-35901

SHEET
19
22
OF

ROUTE NO.	SECTION	COUNTY	TOTAL SHEETS	SHEET NO.
VARIOUS	**	COOK	22	20
ILLINOIS PROJECT HPP-1719 (001)				
VILLAGE SECTION 06-00121-00-PV				
CONTRACT NO. 83937				



Drawing file: W:\Projects\56506359 - High Priority Comm\2007 STREETS EAST.dwg Apr 11, 2007 - 2:03pm



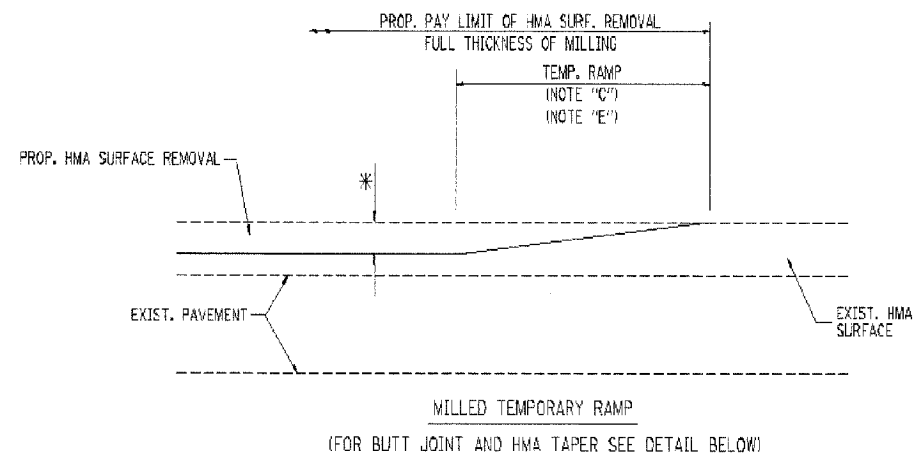
♦ Civil Engineers
 ♦ Municipal Consultants
 ♦ Established 1911
 9933 Roosevelt Road
 Westchester, Illinois 60154-2780
 Phone: 708/865-0390
 Fax: 708/865-1212

ROADWAY RESURFACING (LAPP)
PROJECT HPP-1717 (001)
VILLAGE OF MAYWOOD, ILLINOIS

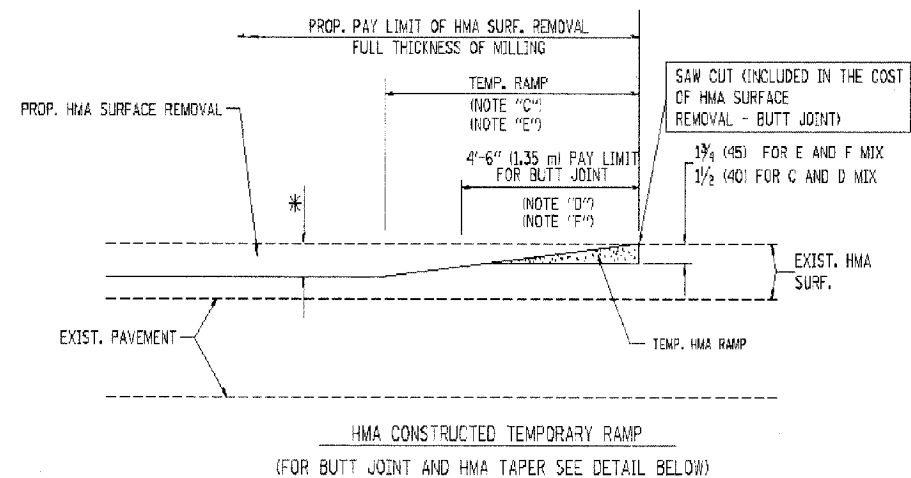
3rd AVENUE
PAVING PLAN

SCALE:	1" = 30'	SHEET	20/22
DRAWN BY:	LEV/ECW	OF	
BOOK NO.:	1484/1516/1538		
DATE:	4-12-07		
REVISION:	E.H.E. NO.:	565-06-35901	

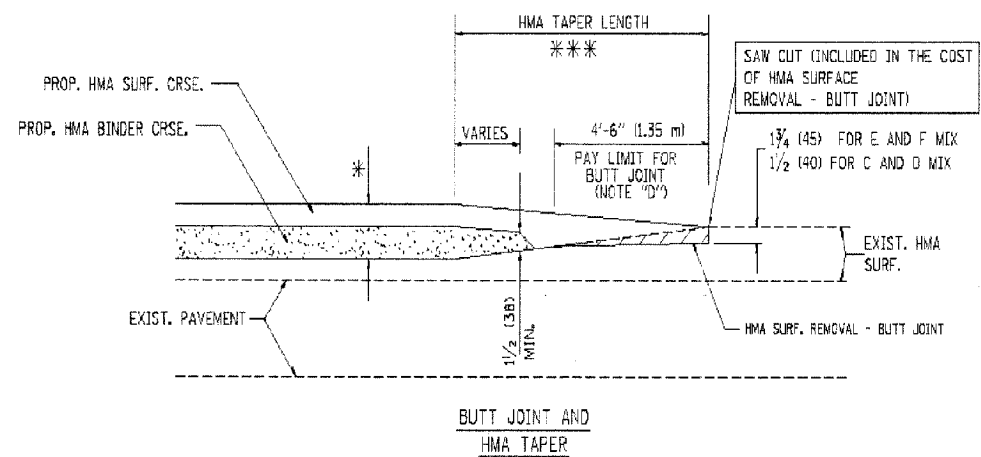
ROUTE NO.	SECTION	COUNTY	TOTAL SHEETS	SHEET NO.
VARIOUS	**	COOK	22	21
ILLINOIS PROJECT HPP-1719 (001)				
VILLAGE SECTION 06-00121-00-PV				
CONTRACT NO. 83937				



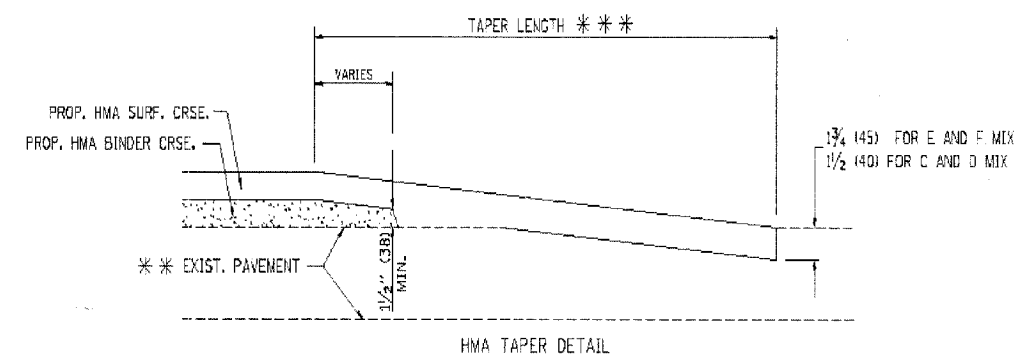
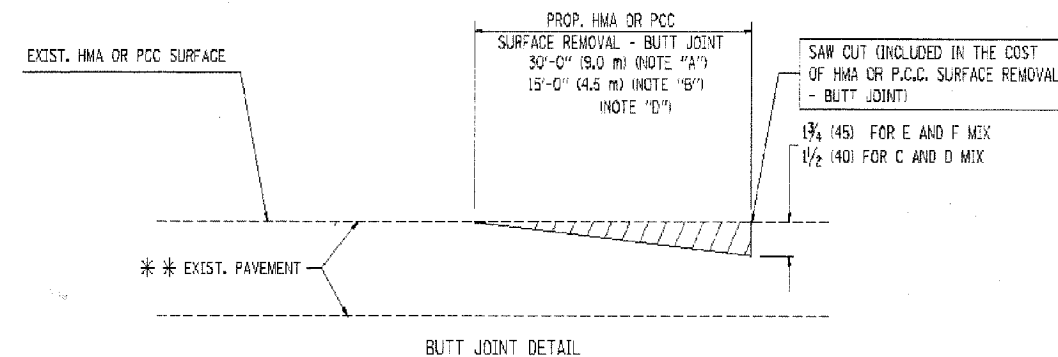
OPTION 1



OPTION 2
TYPICAL TEMPORARY RAMP



TYPICAL BUTT JOINT AND HMA TAPER FOR MILLING AND RESURFACING



TYPICAL BUTT JOINT AND HMA TAPER FOR RESURFACING ONLY

*** PC CONCRETE, HMA OR HMA RESURFACED PAVEMENT.

NOTES

- A: MAINLINE ROADWAYS AND MAJOR SIDE ROADS.
 - B: MINOR SIDE ROADS.
 - C: THE TEMP. RAMP SHALL BE CONSTRUCTED IMMEDIATELY UPON REMOVAL OF THE EXISTING HMA SURFACE.
 - D: THE BUTT JOINT SHALL BE CONSTRUCTED IMMEDIATELY PRIOR TO PLACING THE PROPOSED HMA COURSES.
 - E: TAPER THE TEMP. RAMP AT A RATE OF 3'-0" (900 mm) PER 1 INCH (25 mm) OF MILLING THICKNESS.
 - F: INSTALLATION AND REMOVAL OF THE 4'-6" (1.35 m) TEMP. RAMP IS INCLUDED IN COST OF HMA SURFACE REMOVAL - BUTT JOINT
 - G: SEE ARTICLE 406.08 AND 406.14 OF THE STANDARD SPECIFICATIONS FOR "HMA AND/OR PCC SURFACE REMOVAL, BUTT JOINT".
- * SEE TYPICAL SECTIONS FOR MILLING THICKNESS.

*** 20'-0" (6.1 m) PER 1 (25) RESURFACING (NOTE "A")
10'-0" (3.0 m) PER 1 (25) RESURFACING (NOTE "B")

ALL DIMENSIONS ARE IN INCHES (MILLIMETERS) UNLESS OTHERWISE SHOWN.

BASIS OF PAYMENT:

THE BUTT JOINT WILL BE PAID FOR AT THE CONTRACT UNIT PRICE PER SQUARE YARD (SQUARE METER) FOR "HOT-MIX ASPHALT SURFACE REMOVAL - BUTT JOINT" OR FOR "PORTLAND CEMENT CONCRETE SURFACE REMOVAL - BUTT JOINT".

REVISIONS	
NAME	DATE
M. DE YONG	6-13-90
M. DE YONG	7-3-90
M. DE YONG	3-27-92
P. SHAH	09/09/94
P. SHAH	10/25/94
A. ABBAS	03/21/97
M. GOMEZ	04/06/01
P. BORO	01/01/07

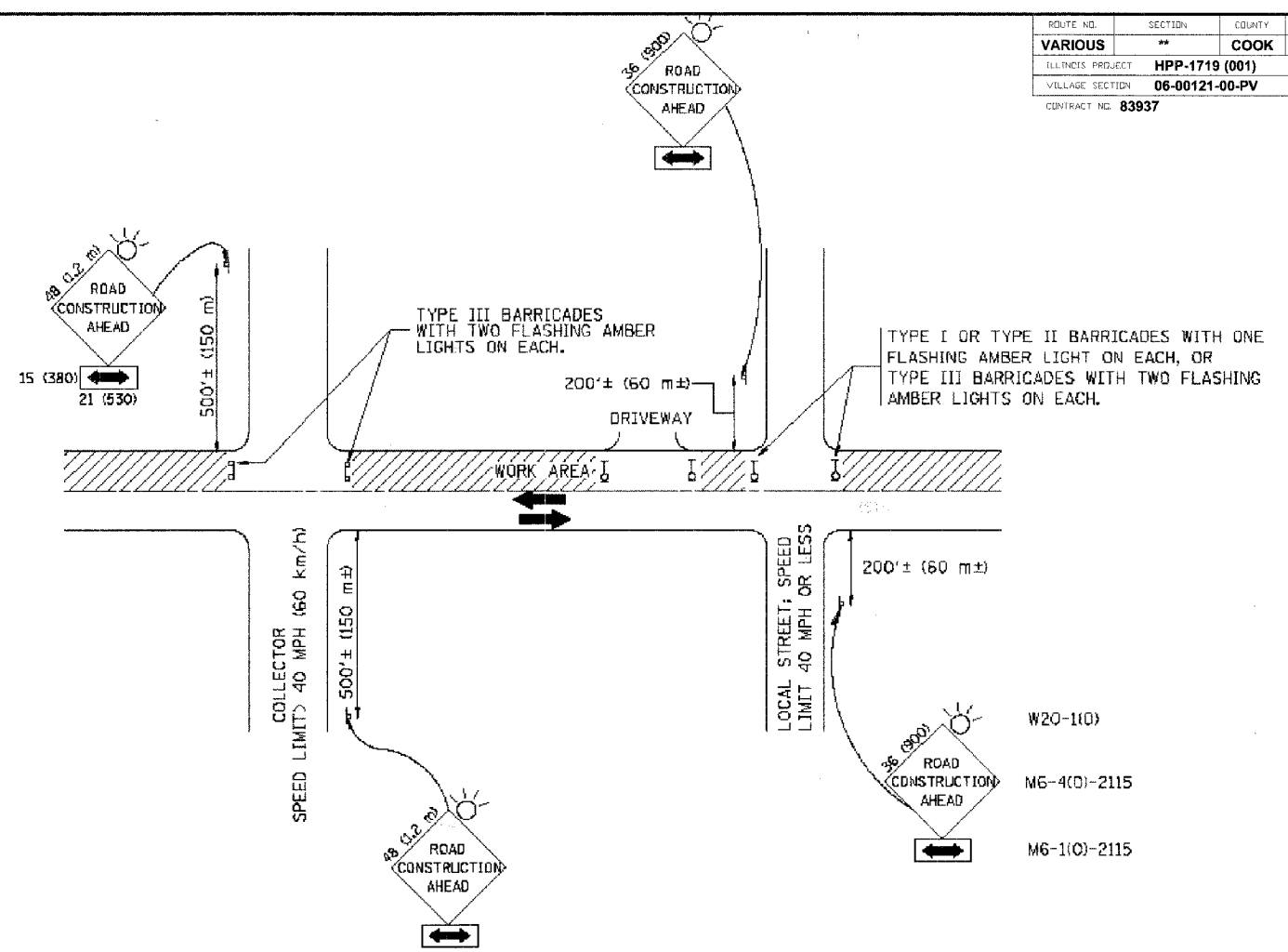
ILLINOIS DEPARTMENT OF TRANSPORTATION

BUTT JOINT AND HMA TAPER DETAILS

SCALE: VERT. NONE
HORIZ. NONE

DRAWN BY
CHECKED BY

ROUTE NO.	SECTION	COUNTY	TOTAL SHEETS	SHEET NO.
VARIOUS	**	COOK	22	22
ILLINOIS PROJECT		HPP-1719 (001)		
VILLAGE SECTION		06-00121-00-PV		
CONTRACT NO. 83937				



TRAFFIC CONTROL AND PROTECTION FOR SIDE ROADS, INTERSECTIONS, AND DRIVEWAYS

NOTES:

- A. FOR NO LANE RESTRICTION ON THE SIDE ROAD OR DRIVEWAYS
- SIDE ROAD WITH A SPEED LIMIT OF 40 MPH (60 km/h) OR LESS AS SHOWN ON THE DRAWING AND AS DIRECTED BY THE ENGINEER:
 - ONE **ROAD CONSTRUCTION AHEAD** SIGN 36 x 36 (900x900) WITH A FLASHER AND FLAG MOUNTED ON IT APPROXIMATELY 200' (60 m) IN ADVANCE OF THE MAIN ROUTE.
 - THE CLOSED PORTION OF THE MAIN ROUTE SHALL BE PROTECTED BY BLOCKING WITH TYPE I, TYPE II OR TYPE III BARRICADES, 1/3 OF THE CROSS SECTION OF THE CLOSED PORTION.
 - SIDE ROAD WITH A SPEED LIMIT GREATER THAN 40 MPH (60 km/h) AS SHOWN ON THE DRAWING AND AS DIRECTED BY THE ENGINEER:
 - ONE **ROAD CONSTRUCTION AHEAD** SIGN 48 x 48 (1.2 m x 1.2 m) WITH A FLASHER MOUNTED ON IT APPROXIMATELY 500' (150 m) IN ADVANCE OF THE MAIN ROUTE.
 - THE CLOSED PORTION OF THE MAIN ROUTE SHALL BE PROTECTED BY BLOCKING WITH TYPE III BARRICADES, 1/2 OF THE CROSS SECTION OF THE CLOSED PORTION.
 - WHEN THE SIDE ROAD LIES BETWEEN THE BEGINNING OF THE MAINLINE SIGNING AND THE WORK ZONE, A SINGLE HEADED ARROW (M6-1) SHALL BE USED IN LIEU OF THE DOUBLE HEADED ARROW (M6-4).
- B. FOR A LANE CLOSURE ON A SIDE ROAD OR DRIVEWAY:
- USE APPLICABLE PORTIONS OF THE TYPICAL APPLICATION OF TRAFFIC CONTROL DEVICES (STD. 701501, STD. 701606 OR THE APPROPRIATE STANDARD). THE SPACING OF SIGNS AND BARRICADES SHALL BE ADJUSTED FOR FIELD CONDITIONS AS DIRECTED BY THE ENGINEER. THE DIRECTIONAL ARROW SHALL BE COVERED OR REMOVED WHEN NO LONGER CONSISTENT WITH THE SIDE ROAD LANE CLOSURE.
- C. ADVANCE WARNING SIGNS ARE TO BE OMITTED ON DRIVEWAY UNLESS OTHERWISE NOTED.
- D. THE TRAFFIC CONTROL AND PROTECTION FOR SIDE ROADS, INTERSECTIONS, AND DRIVEWAYS SHALL BE INCIDENTAL TO THE COST OF SPECIFIED TRAFFIC CONTROL STANDARDS OR ITEMS.

All dimensions are in millimeters (inches) unless otherwise shown.

REVISIONS		ILLINOIS DEPARTMENT OF TRANSPORTATION TRAFFIC CONTROL AND PROTECTION FOR SIDE ROADS, INTERSECTIONS, AND DRIVEWAYS
NAME	DATE	
LHA	6/89	SCALE: NONE DRAWN BY CHECKED BY E.H.E. PROJECT NO. 565-06-35901
T. RAMMACHER	09/08/94	
J. OBERLE	10/18/95	
A. HOUSEH	03/06/96	
A. HOUSEH	10/15/96	
T. RAMMACHER	01/06/00	