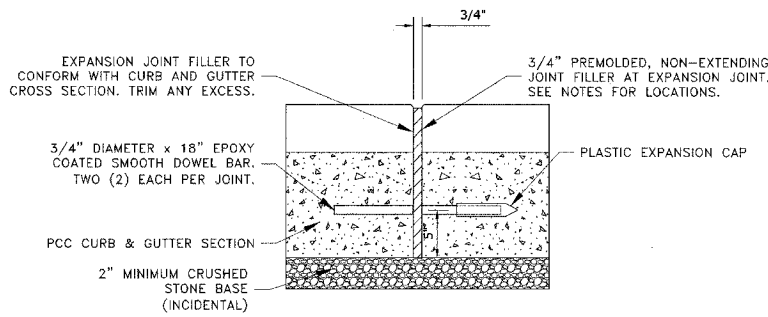
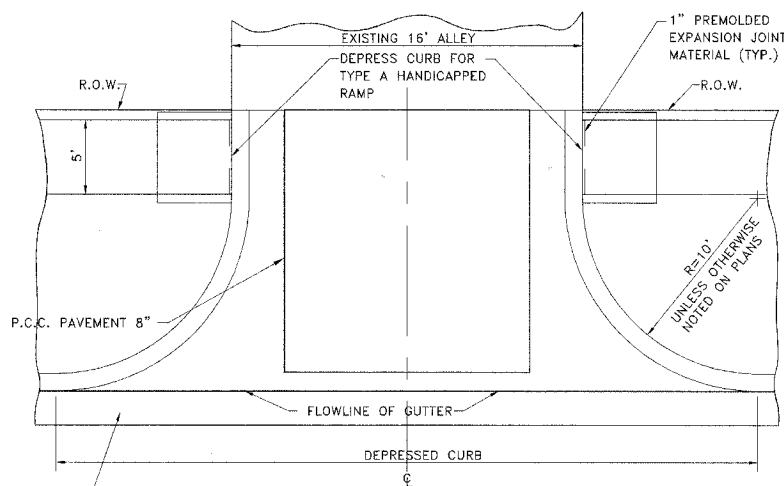


**TYPICAL P.C.C. SIDEWALK & DRIVEWAY DETAIL**



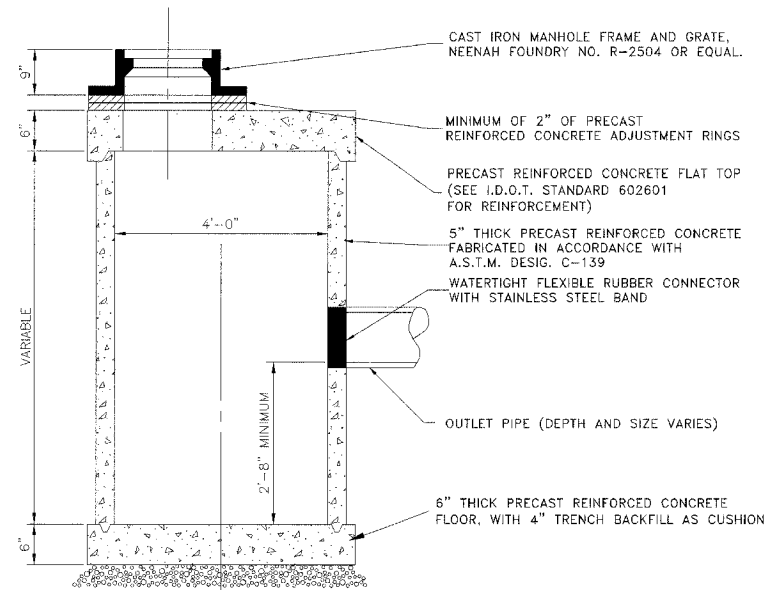
**NOTE:**  
 1. EXPANSION JOINTS ARE TO BE CONSTRUCTED AT ALL PC'S & PT'S OF INTERSECTION RETURNS AND ALL OTHER SHORT RADIUS SECTIONS, CONSTRUCTION JOINTS, EVERY 50' ON TANGENT SECTIONS, AND AS DIRECTED BY THE ENGINEER.

**TYPICAL CURB AND GUTTER EXPANSION JOINT**

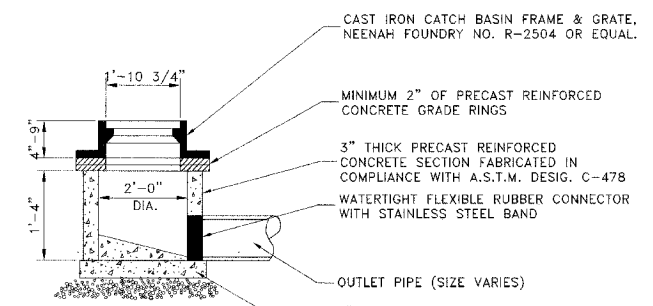


**NOTE:** UNLESS OTHERWISE NOTED ON PLAN USE RADII AS MARKED ABOVE.  
 REPLACE COMBINATION CONCRETE CURB AND GUTTER, TYPE B-6.12 (AS NOTED ON PLAN)

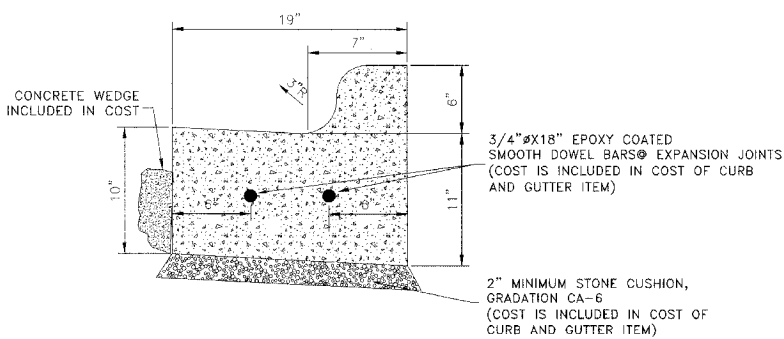
**ALLEY RETURN DETAIL**



**RESTRICTED DEPTH CATCH BASIN**



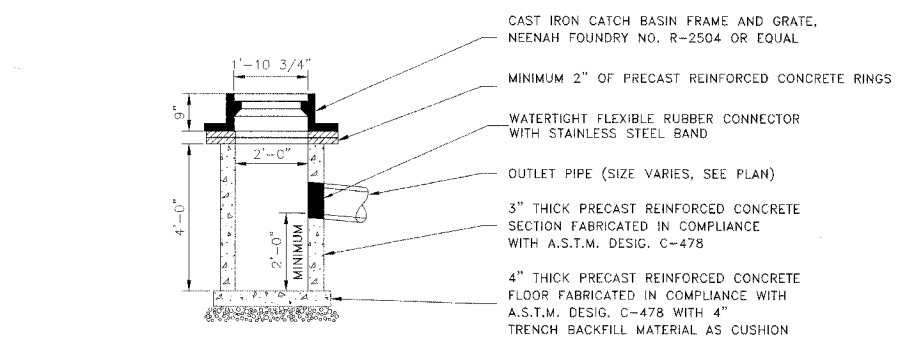
**INLET, TYPE "A"**



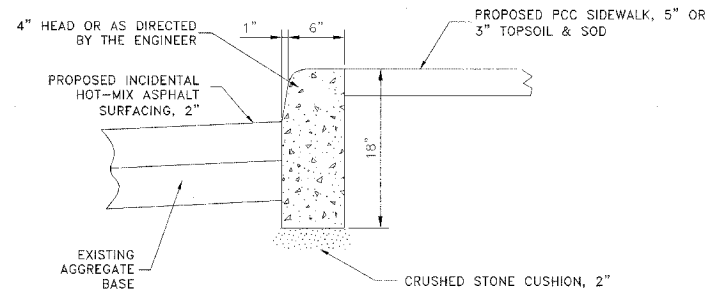
1. PROVIDE 2 3/4" Ø EPOXY COATED SMOOTH BARS WITH PLASTIC EXPANSION CAPS AT EACH EXPANSION JOINT.
2. CONTRACTION JOINTS SHALL BE PLACED AT EQUAL SPACES BETWEEN NORMAL EXPANSION JOINTS. CONTRACTION JOINTS SHALL BE SAW CUT IN THE UPPER 1/3 OF CURB AND GUTTERS WITHIN 24 HOURS OF PLACEMENT.

**COMBINATION CONCRETE CURB & GUTTER TYPE B-6.12 (MODIFIED)**

- M.W.R.D.G.C. GENERAL NOTES**
1. THE MWRD SEWER SYSTEMS SECTION FIELD OFFICE MUST BE NOTIFIED AT LEAST TWO (2) WORKING DAYS PRIOR TO THE COMMENCEMENT OF WORK AT (708) 588-4055.
  2. ELEVATION DATUM IS U.S.G.S.
  3. ALL FLOOR DRAINS SHALL DISCHARGE TO THE SANITARY SEWER SYSTEM.
  4. ALL DOWNSPOUTS AND FOOTING DRAINS SHALL DISCHARGE INTO THE STORM SEWER SYSTEM.
  5. ALL PVC STORM SEWER PIPE JOINTS SHALL CONFORM TO ASTM D-3139. ALL PVC SEWER PIPE 12" IN DIAMETER OR LESS SHALL CONFORM TO ASTM D-2241 (WATER QUALITY PIPE). ALL PVC SEWER PIPE SHALL BE SDR 26.
  6. ALL SANITARY SEWER CONSTRUCTION, AND ALSO STORM SEWER CONSTRUCTION IN COMBINED SEWER AREAS, REQUIRES STONE BEDDING 1/4" TO 1" IN SIZE, WITH A MINIMUM THICKNESS EQUAL TO 1/4 THE OUTSIDE DIAMETER OF THE SEWER PIPE, BUT NOT LESS THAN FOUR INCHES (4") NOR MORE THAN EIGHT INCHES (8"). MATERIAL SHALL BE CA-11 OR CA-13 AND SHALL BE EXTENDED AT LEAST 12" ABOVE THE TOP OF THE PIPE WHEN USING PVC PIPE.
  7. "BAND SEAL" OR SIMILAR FLEXIBLE-TYPE COUPLINGS SHALL BE USED IN THE CONNECTION OF SEWER PIPE OF DISSIMILAR MATERIALS.
  8. WHEN CONNECTING TO AN EXISTING SEWER MAIN BY MEANS OTHER THAN AN EXISTING WYE, TEE, OR AN EXISTING MANHOLE, ONE OF THE FOLLOWING METHODS SHALL BE USED:
    - 1) CIRCULAR SAW-CUT OF SEWER MAIN BY MECHANICAL CORING MACHINE, AND PROPER INSTALLATION OF HUB-WYE SADDLE OR HUB-TEE SADDLE, IN ACCORDANCE WITH THE MANUFACTURER'S RECOMMENDATIONS
    - 2) REMOVE AN ENTIRE SECTION OF PIPE (BREAKING ONLY THE TOP OF ONE BELL) AND REPLACE WITH A WYE OR TEE BRANCH SECTION. AFTER THE WYE OR TEE BRANCH IS INSERTED, CONCRETE SHALL BE PLACED OVER THE BROKEN AREA TO A MINIMUM THICKNESS OF 4" AND TO A DIMENSION OF 8" IN ALL DIRECTIONS.
    - 3) USING PIPE CUTTER, NEATLY AND ACCURATELY CUT OUT DESIRED LENGTH OF PIPE FOR INSERTION OF PROPER FITTING. USE "BAND SEAL" OR SIMILAR COUPLINGS TO HOLD FIRMLY IN PLACE. FOLLOW MANUFACTURER'S RECOMMENDATIONS FOR THE INSTALLATION.
  9. WHEREVER A SANITARY/COMBINED SEWER CROSSES UNDER A WATER MAIN, THE MINIMUM VERTICAL DISTANCE FROM THE TOP OF THE SEWER TO THE BOTTOM OF THE WATER MAIN SHALL BE 18 INCHES. FURTHERMORE, A MINIMUM HORIZONTAL DISTANCE OF 10 FEET BETWEEN SANITARY/COMBINED SEWERS AND WATER MAINS SHALL BE MAINTAINED UNLESS THE SEWER IS LAID IN A SEPARATE TRENCH, KEEPING A MINIMUM 18" VERTICAL SEPARATION; OR THE SEWER IS LAID IN THE SAME TRENCH WITH THE WATER MAIN LOCATED AT THE OPPOSITE SIDE ON A BENCH OF UNDISTURBED EARTH, KEEPING A MINIMUM 18" VERTICAL SEPARATION. IF EITHER THE VERTICAL OR HORIZONTAL DISTANCES DESCRIBED ABOVE CANNOT BE MAINTAINED, OR THE SEWER CROSSES ABOVE THE WATER MAIN, THE SEWER SHALL BE CONSTRUCTED TO WATER MAIN STANDARDS.
  10. ALL SANITARY MANHOLES, (AND STORM MANHOLES IN COMBINED SEWER AREAS), SHALL HAVE A MINIMUM INSIDE DIAMETER OF 48 INCHES, AND SHALL BE CAST IN PLACE OR PRE-CAST REINFORCED CONCRETE.
  11. ALL ABANDONED SEWERS SHALL BE PLUGGED AT BOTH ENDS WITH A MINIMUM OF TWO (2) FEET LONG NON-SHRINK CONCRETE/MORTAR PLUG.
  12. ALL INLET AND OUTLET PIPES OF SANITARY SEWER MANHOLES AND OTHER UNDERGROUND STRUCTURES (AND IN COMBINED SEWER AREAS, ALSO ALL COMBINED/STORM SEWER MANHOLES, CATCH BASINS, INLETS, AND UNDERGROUND DETENTION STORAGE STRUCTURES) SHALL BE JOINED WITH WATERTIGHT FLEXIBLE RUBBER CONNECTORS CONFORMING TO A.S.T.M. C-443 & C-923 WITH STAINLESS STEEL BANDS.
  13. THE MAXIMUM ALLOWABLE INFILTRATION OR EX-FILTRATION IS 100 GAL/DAY/MILE/INCH DIA OF THE SEWER PIPE.



**CATCH BASIN, TYPE C**



**BARRIER CURB DETAIL**

Drawings File: \\A:\Projects\76007004 - 2007 St. Resurf. HPP\Detailing.dwg Apr 11, 2007 - 3:25pm  
 2007 St. Resurf. HPP\Detailing.dwg

**HANCOCK ENGINEERING** ♦ Civil Engineers ♦ Municipal Consultants ♦ Established 1911

9933 Roosevelt Road  
 Westchester, Illinois 60154-2780  
 Phone: 708/865-8300  
 Fax: 708/865-1212

**2007 STREET RESURFACING PROJECT  
 VILLAGE OF RIVER GROVE, ILLINOIS**

**DETAILS**

SCALE:	NONE	SHEET <b>3</b> OF <b>11</b>
DRAWN BY:	MK	
BOOK NO.:	1505	
DATE:	04/09/07	
REVISION:	E.H.E. NO.: 760-07-00401	