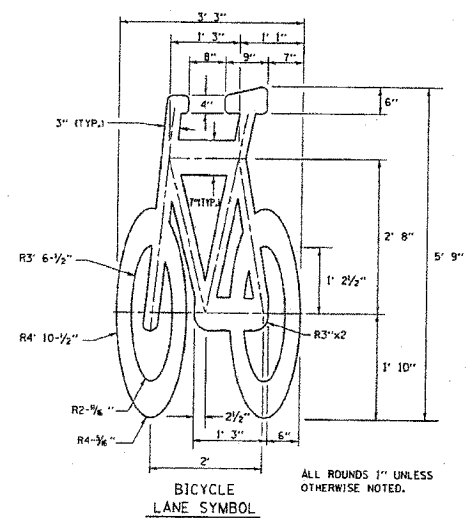
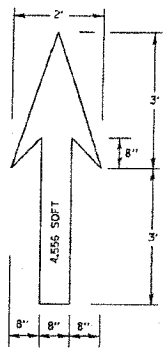


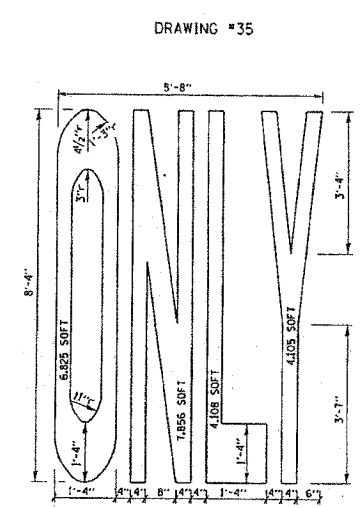
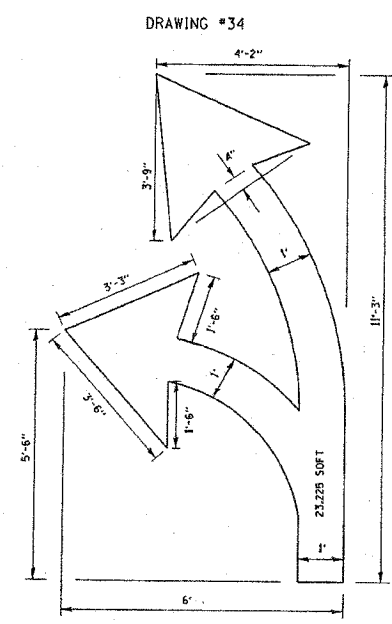
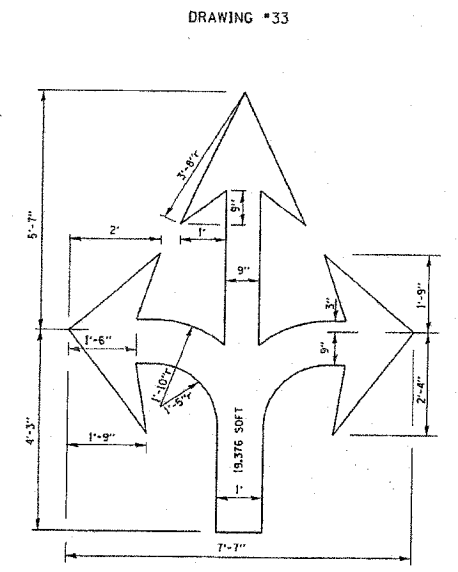
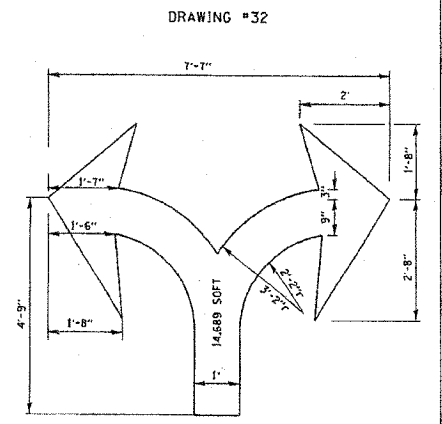
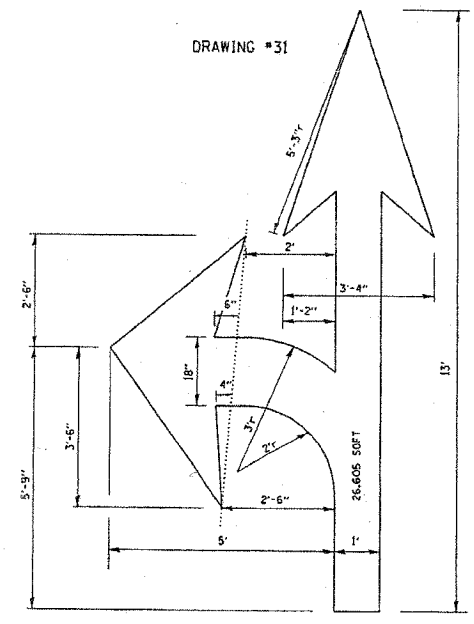
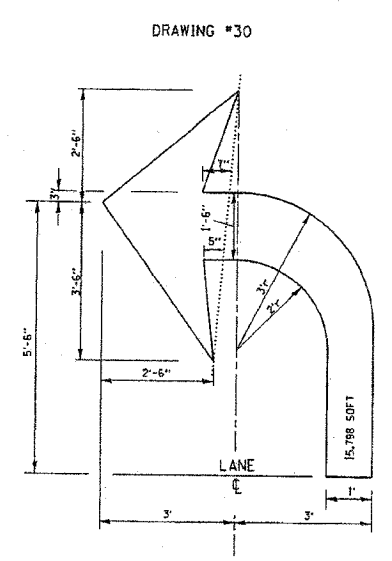
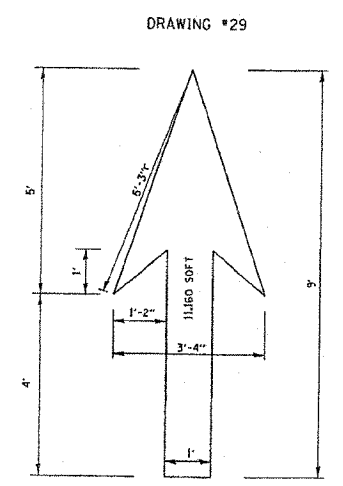
F.A. RTE.	SECTION	COUNTY	TOTAL SHEETS
			52
STA.		TO STA.	
FED. ROAD DIST. NO.		ILLINOIS FED. AID PROJECT	



Revised 7-27-07

**NOTE:**  
 1.) FOR BIKE LANE SYMBOLS ONLY, USE PRE-FORMED THERMOPLASTIC WITH A MINIMUM THICKNESS OF 90 MILS, MINIMUM SKID RESISTANCE VALUE OF 60 BPN, & A MINIMUM INDEX OF REFRACTION OF 1.50.  
 2.) THE RESIDENT ENGINEER SHALL CONTACT MR. BEN COMBERG AT 312-744-8093 AT LEAST ONE CALENDAR WEEK PRIOR TO INSTALLING BIKE LANE SYMBOLS.

TYPICAL BIKE LANE SYMBOLS  
DRAWING #28



**NOTE:** ALL MARKINGS SHALL BE SOLID WHITE UNLESS OTHERWISE NOTED IN THE PLANS

REVISIONS	
NAME	DATE
T. RAMMACHER	12/07/00
ADDEN DUM	7/27/07

ILLINOIS DEPARTMENT OF TRANSPORTATION

TYPICAL PAVEMENT MARKINGS

SCALE: NONE

DRAWN BY  
CHECKED BY  
TC-24 MODIFIED

PLOT DATE: 3/7/2007  
 PLOT SCALE: 1/8" = 1'-0"  
 USER NAME: bboard