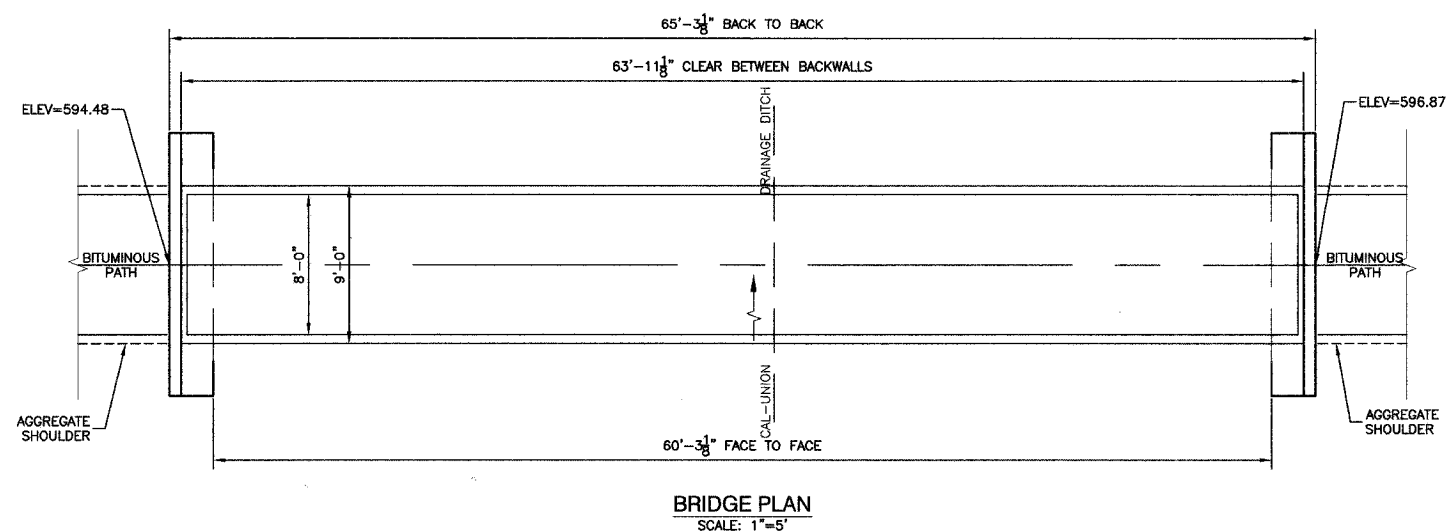


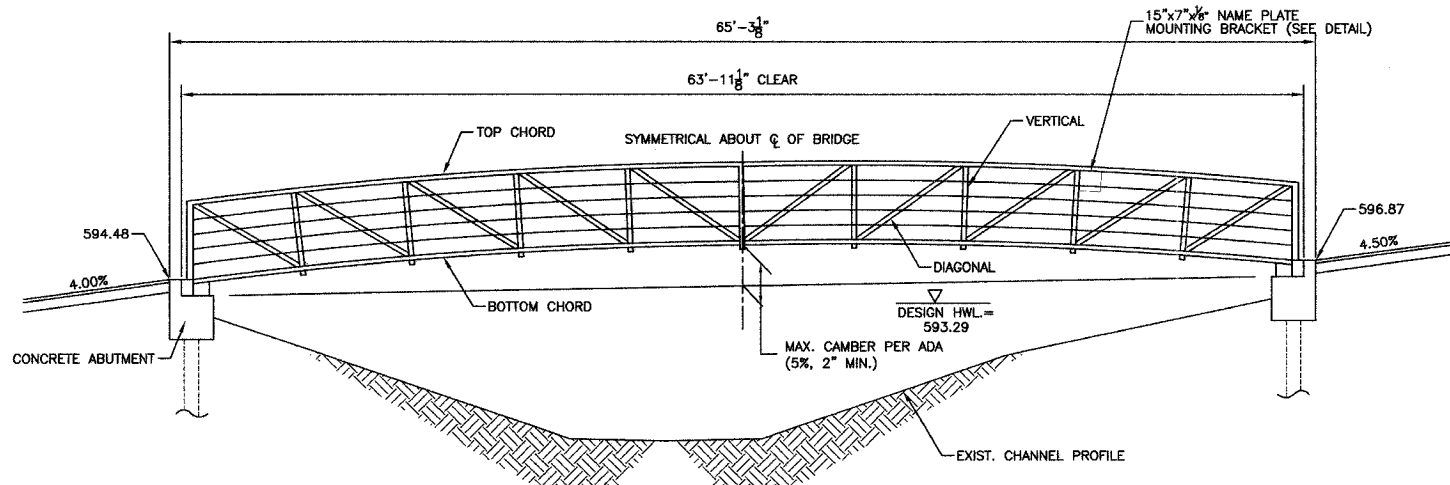
F. A. U. NO.	SECTION	COUNTY	TOTAL SHEETS	SHEET NO.
	06-00082-00-BR	COOK	009	006
STA.	TO STA.			
FED. ROAD DIST. NO.	KLINGSTUBBINS	FED. AID PROJECT		

CONTRACT NO. 83948



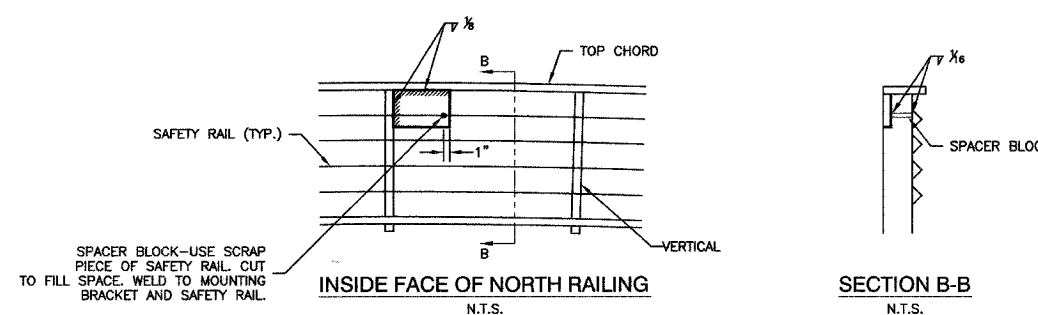
BRIDGE PLAN
SCALE: 1"=5'

PEDESTRIAN BRIDGE
BUILT 2007 BY
VILLAGE OF SOUTH HOLLAND
LOADING 85 psl AND 8,000 lb. VEHICLE
(SEE IDOT STANDARD 515001)
NAME PLATE



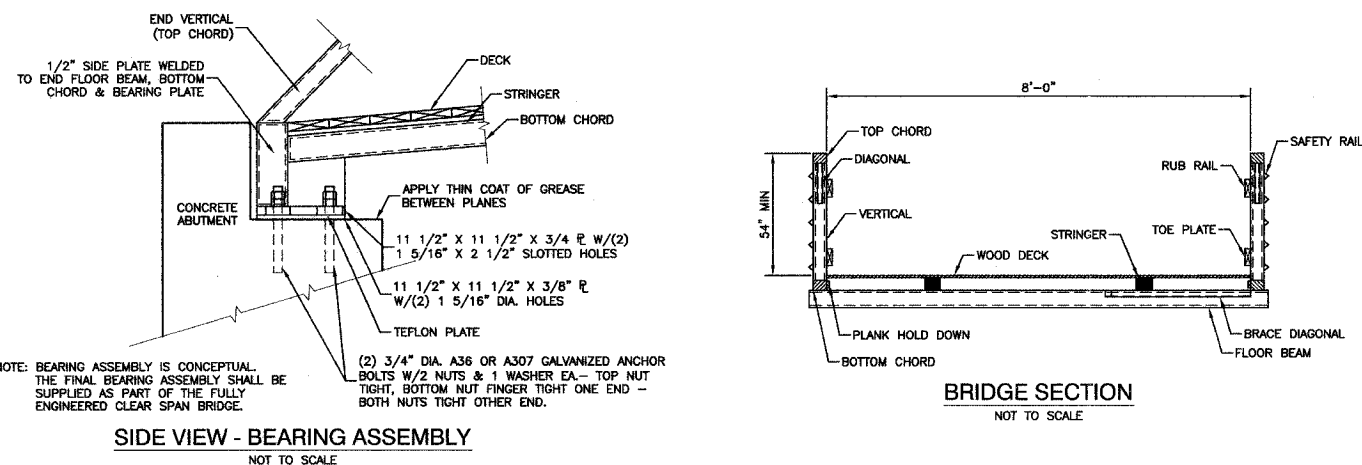
BRIDGE ELEVATION
SCALE 1"= 5'

NOTE: EXCAVATION AND EMBANKMENT IN THE AREA OF THE ABUTMENTS SHALL BE COMPLETED PRIOR TO THE PLACEMENT OF THE PILES.



NAME PLATE MOUNTING BRACKET DETAIL

NOTE: BRACKET TO BE FABRICATED AND ATTACHED TO BRIDGE BY BRIDGE SUPPLIER AT SHOP.



SIDE VIEW - BEARING ASSEMBLY
NOT TO SCALE

NOTE: BEARING ASSEMBLY IS CONCEPTUAL. THE FINAL BEARING ASSEMBLY SHALL BE SUPPLIED AS PART OF THE FULLY ENGINEERED CLEAR SPAN BRIDGE.

NOTES:

SEE SPECIAL PROVISIONS FOR SPECIFICATION FOR FULLY ENGINEERED CLEAR SPAN BRIDGE OF STEEL CONSTRUCTION.

BEARING ASSEMBLY WILL HAVE TO BE ANGLED TO ACCOMMODATE LONGITUDINAL SLOPE OF BRIDGE.

DESIGN SPECIFICATIONS

2002 AASHTO
LIVE LOADING-85 p.s.f. AND 8,000 lbs. VEHICLE LOAD.

DESIGN STRESSES-
f'c - 3500 psi.
fy - 60,000 psi. (REINF.)
fy - 50,000 psi (BRIDGE)

REVISIONS	
NAME	DATE

ILLINOIS DEPARTMENT OF TRANSPORTATION

**PEDESTRIAN BRIDGE
BRIDGE AND RAILING DETAILS**

SCALE: VERT. AS SHOWN
HORIZ. AS SHOWN
DATE 5-16-07

DRAWN BY EC
CHECKED BY PKB