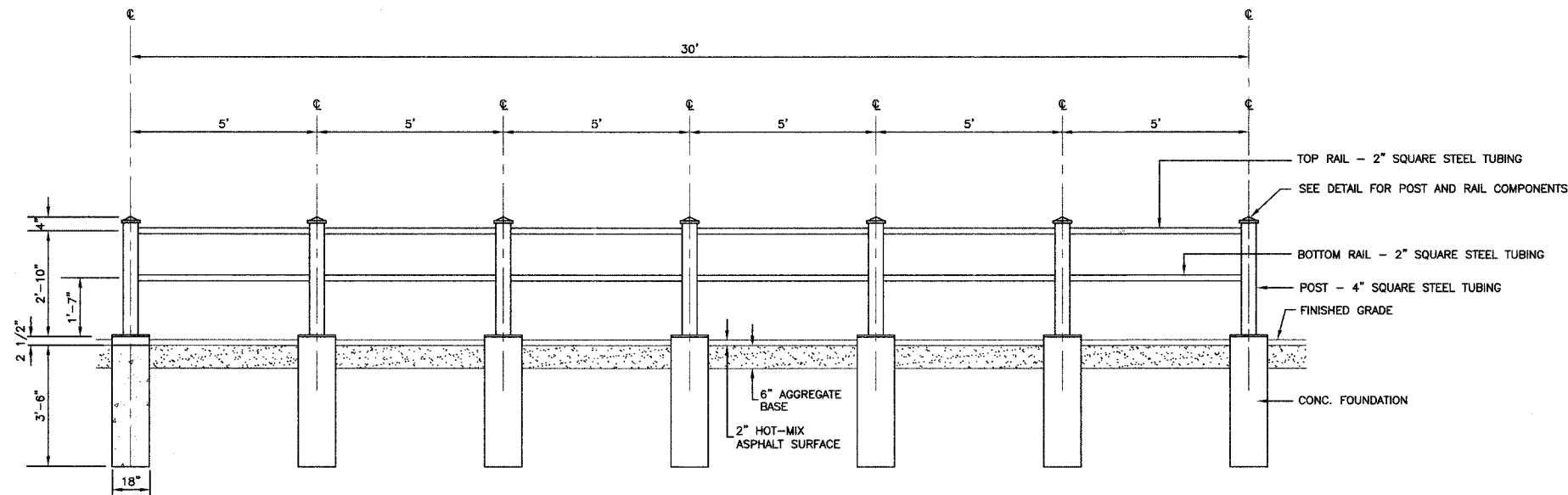
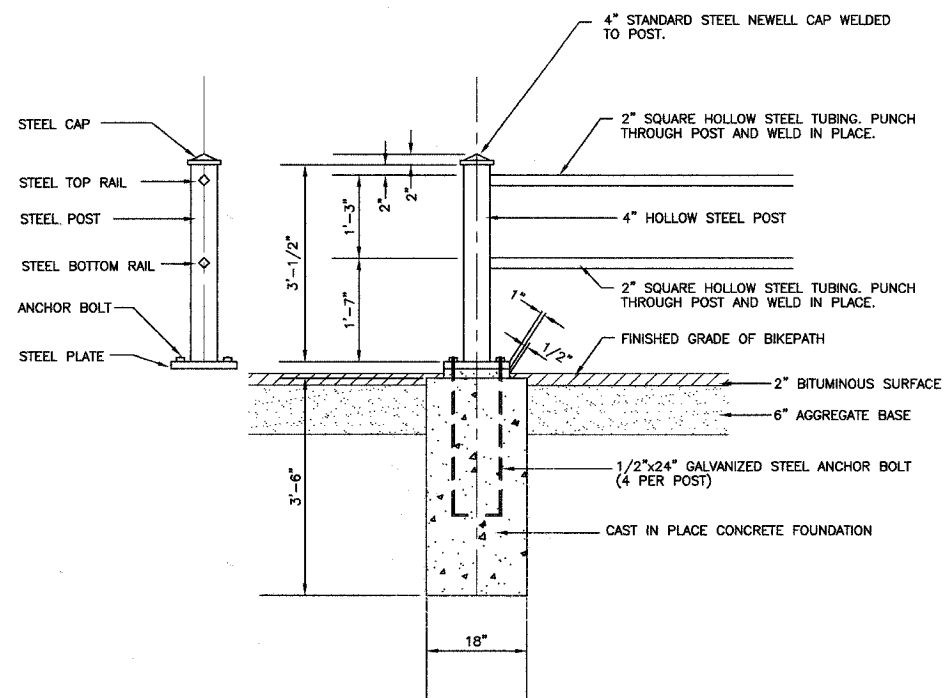


F. A. U. SHEET NO.	SECTION	COUNTY	TOTAL SHEETS	SHEET NO.
	06-00082-00-BR	COOK	008	009
STA.	TO STA.			
FED. ROAD DIST. NO.	ALABAMA	FED. AID PROJECT		

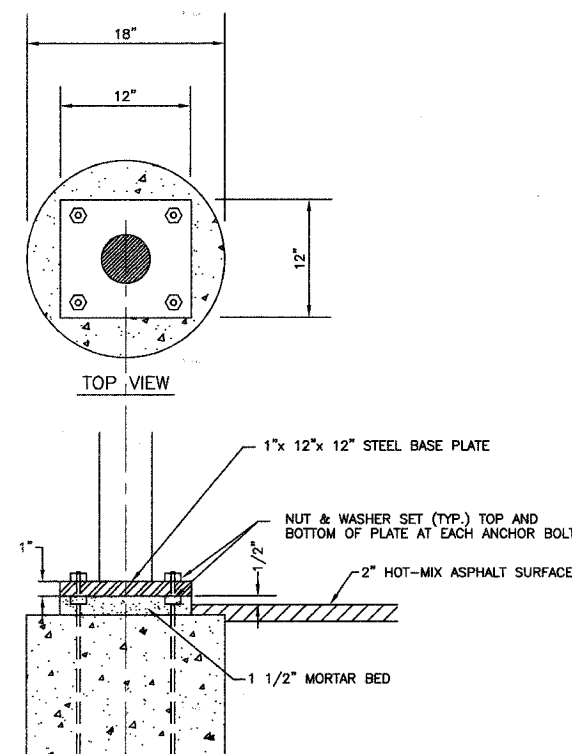
CONTRACT NO. 83948



ELEVATION



FOUNDATION, POST, AND FENCE DETAIL



BASE PLATE TO FOUNDATION

REVISIONS	
NAME	DATE

ILLINOIS DEPARTMENT OF TRANSPORTATION
**PEDESTRIAN BRIDGE
 ORNAMENTAL FENCE DETAILS**

SCALE: VERT. N/A
 HORIZ. N/A
 DATE: 5-16-07
 DRAWN BY: EC
 CHECKED BY: PKB