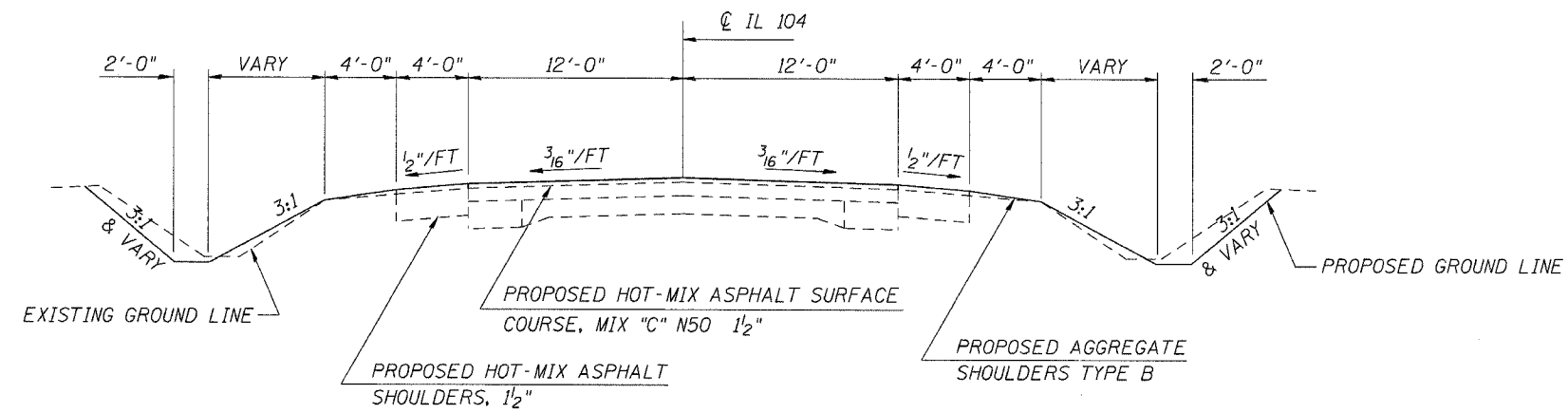
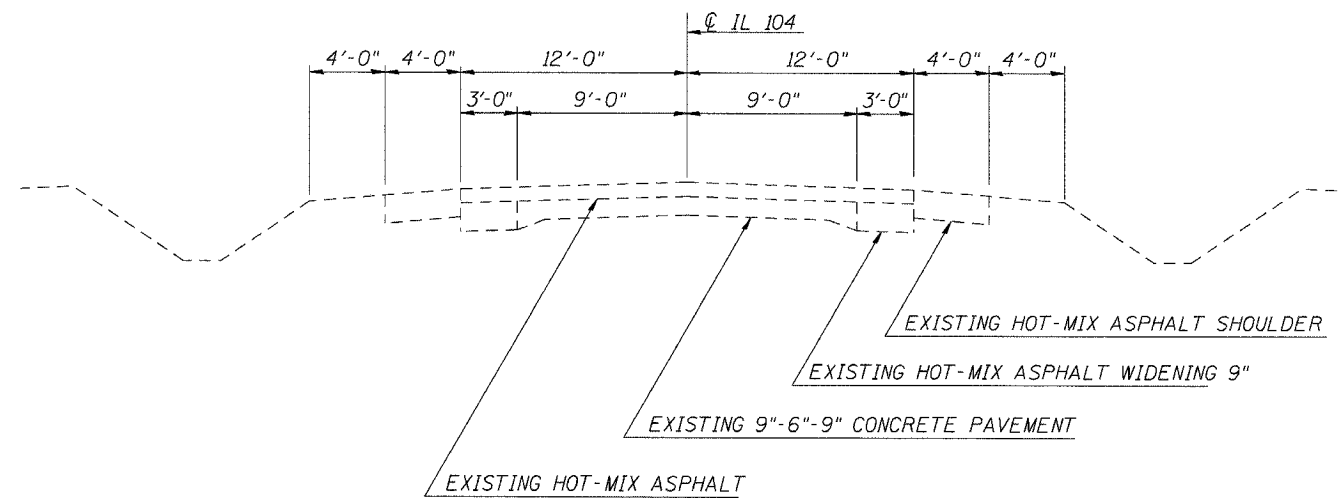


ROUTE NO.	SECTION	COUNTY	TOTAL SHEETS	SHEET NO.
FAS 621	05-00075-05-RS	SANGAMON	72	8

CONTRACT NO. 93439



IL 104 TYPICAL PROPOSED ROADWAY CROSS SECTION
STA 8+00 TO STA 11+50



IL 104 TYPICAL EXISTING ROADWAY CROSS SECTION

TYPICAL CROSS SECTIONS

FAS 621 (CH 10)
SECTION 05-00075-05-RS
SANGAMON COUNTY

CUMMINS ENGINEERING CORPORATION

JOB #: 2171
FILE: 2171TYP
DATE: 4/30/07