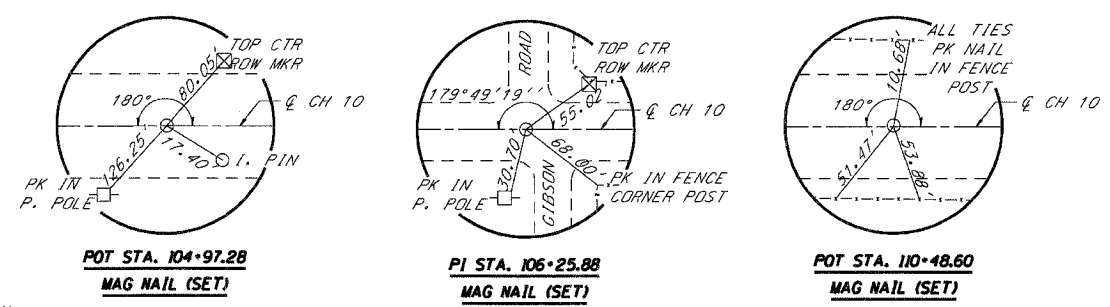
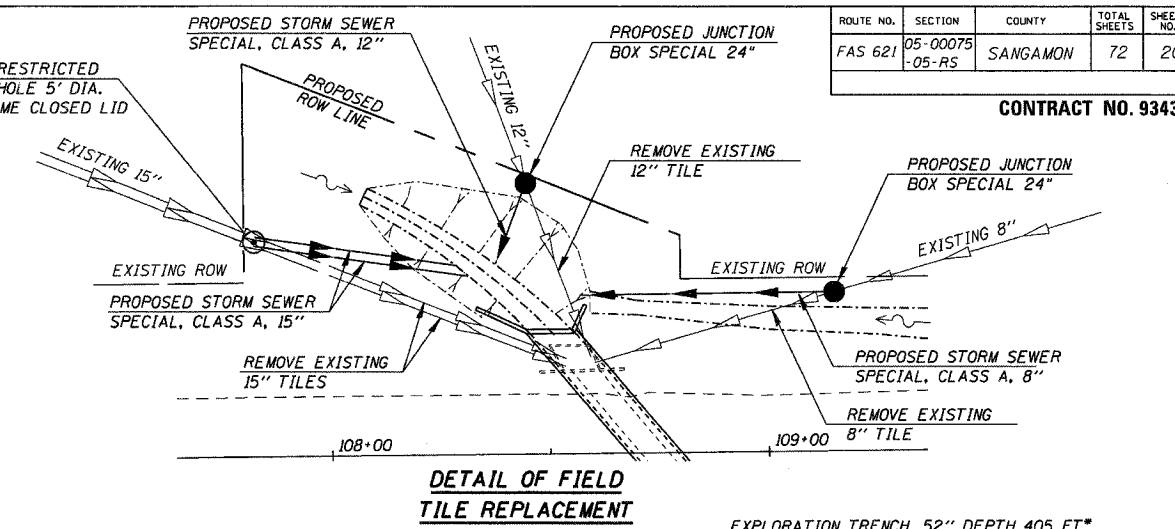
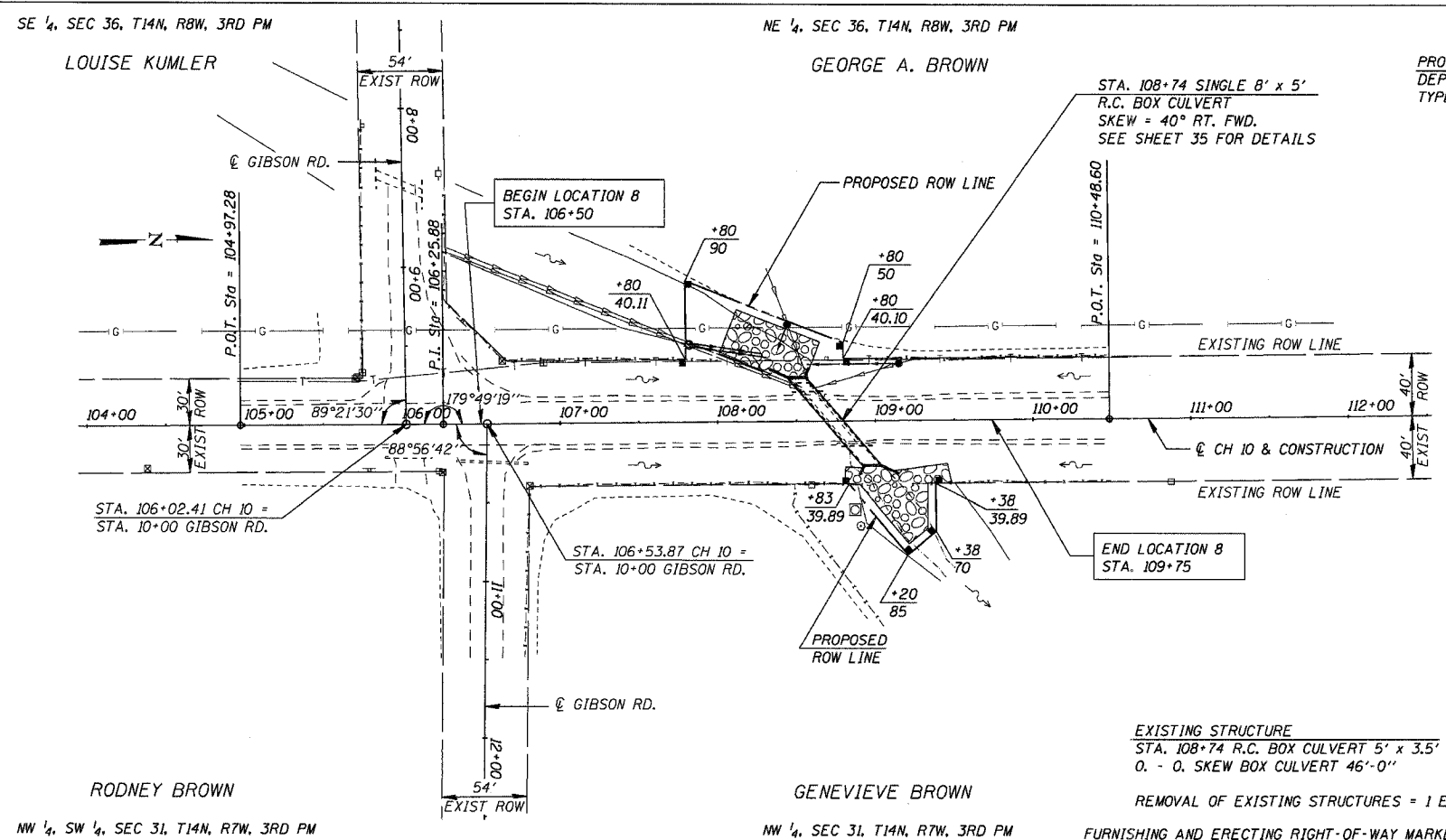


ROUTE NO.	SECTION	COUNTY	TOTAL SHEETS	SHEET NO.
FAS 621	05-00075 -05-R5	SANGAMON	72	20

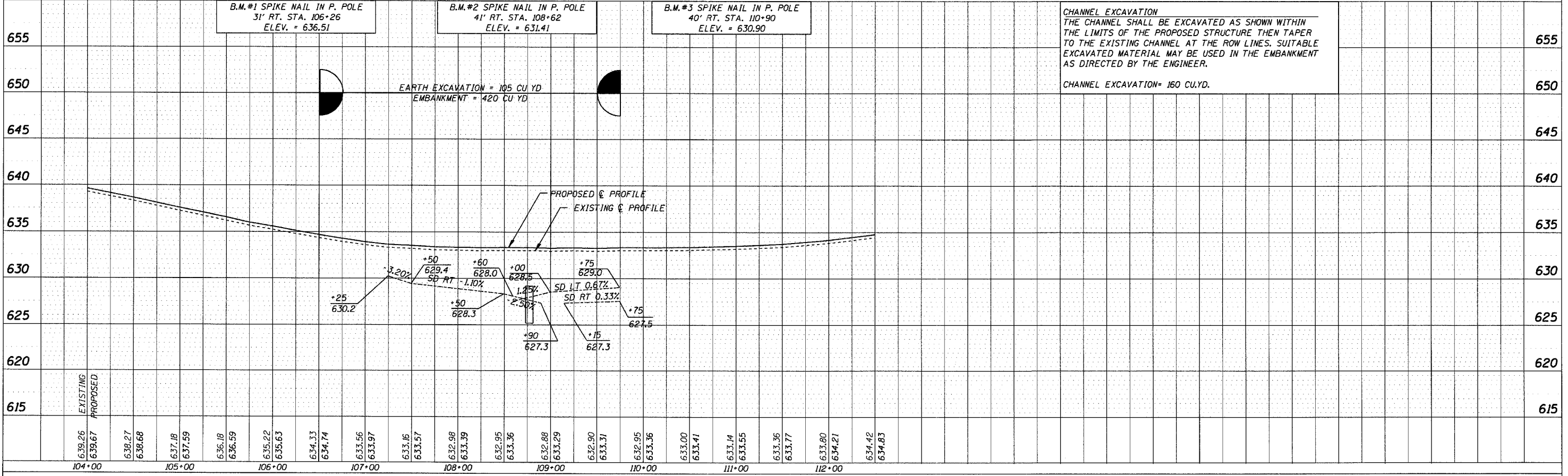
CONTRACT NO. 93439

PLAN	DATE
SURVEYED	
PLOTTED	
CHECKED	
NO. OF WAY CHECKED	
PAID FILE NAME	

PROFILE	DATE
SURVEYED	
PLOTTED	
CHECKED	
NO. OF WAY CHECKED	
STRUCTURE NOTATION CHFD	



EXISTING STRUCTURE
 STA. 108+74 R.C. BOX CULVERT 5' x 3.5'
 0 - 0 SKEW BOX CULVERT 46'-0"
 REMOVAL OF EXISTING STRUCTURES = 1 EACH
 FURNISHING AND ERECTING RIGHT-OF-WAY MARKERS 8 EACH



CHANNEL EXCAVATION
 THE CHANNEL SHALL BE EXCAVATED AS SHOWN WITHIN THE LIMITS OF THE PROPOSED STRUCTURE THEN TAPER TO THE EXISTING CHANNEL AT THE ROW LINES. SUITABLE EXCAVATED MATERIAL MAY BE USED IN THE EMBANKMENT AS DIRECTED BY THE ENGINEER.
 CHANNEL EXCAVATION = 160 CU.YD.

LOCATION 8 - CH 10 STA. 104+00 TO STA. 112+00