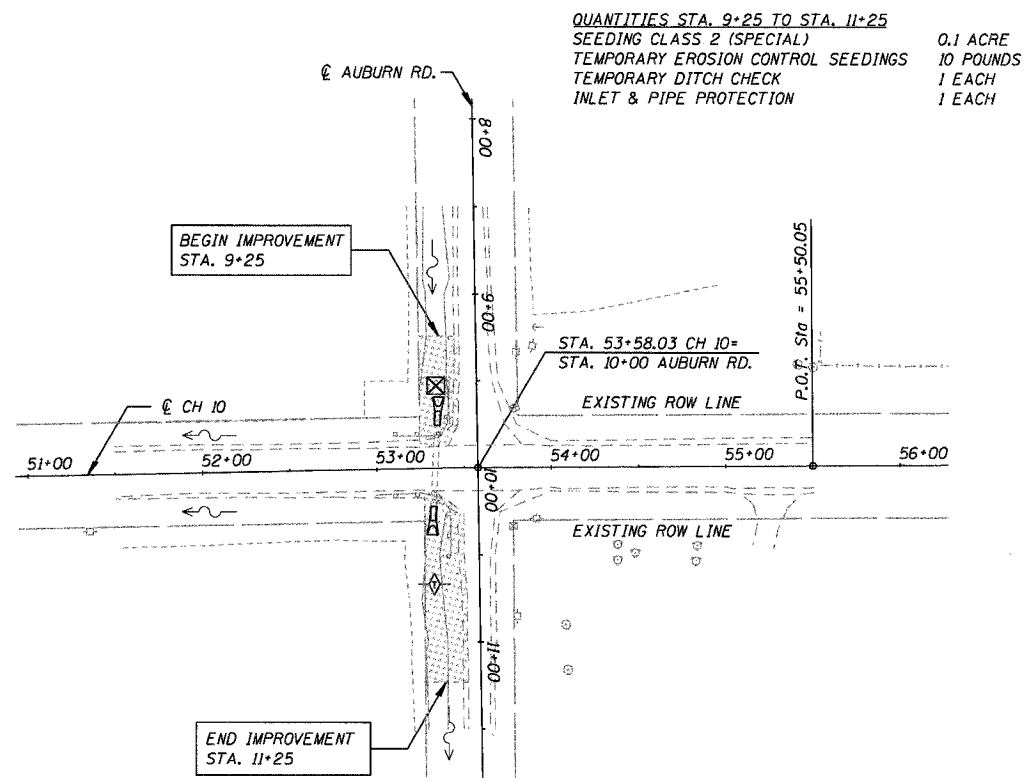
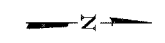


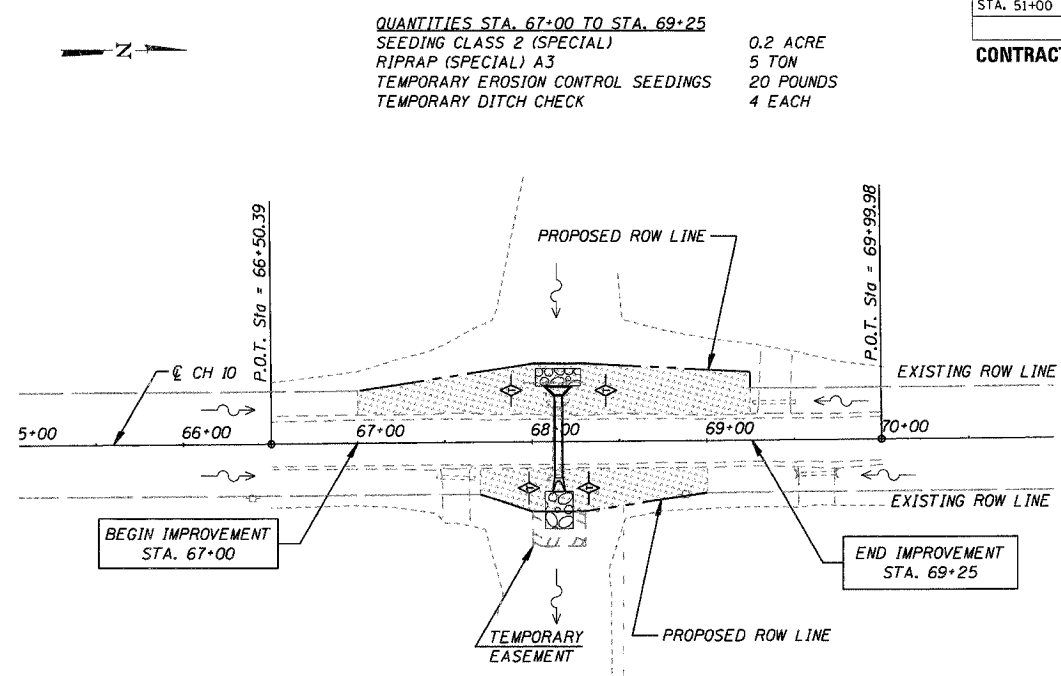
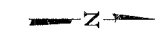
RTE.	SECTION	COUNTY	TOTAL SHEETS	SHEET NO.
CH 10	05-00075-05-RS	SANGAMON	72	27
STA. 51+00 TO STA. 111+00				

CONTRACT NO. 93439



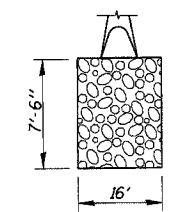
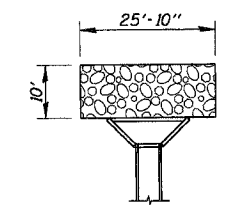
LOCATION 6

QUANTITIES STA. 9+25 TO STA. 11+25
 SEEDING CLASS 2 (SPECIAL) 0.1 ACRE
 TEMPORARY EROSION CONTROL SEEDINGS 10 POUNDS
 TEMPORARY DITCH CHECK 1 EACH
 INLET & PIPE PROTECTION 1 EACH



LOCATION 7

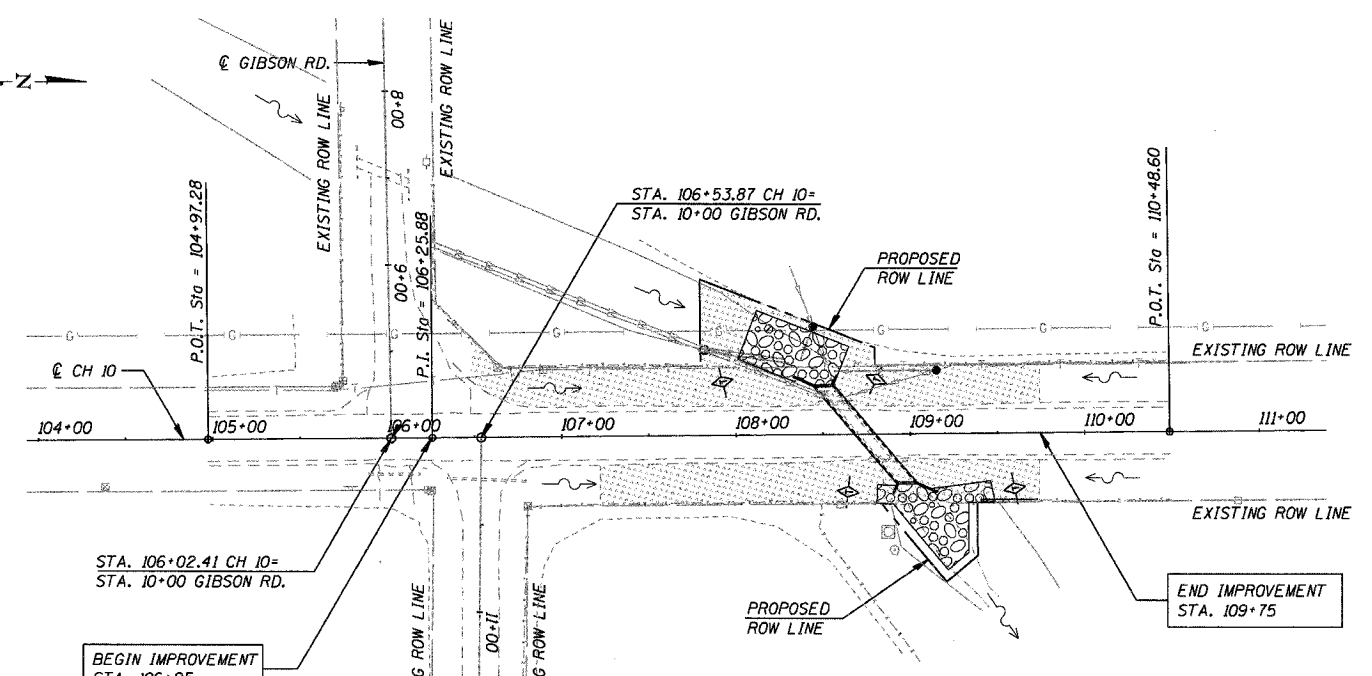
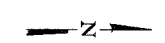
QUANTITIES STA. 67+00 TO STA. 69+25
 SEEDING CLASS 2 (SPECIAL) 0.2 ACRE
 RIPRAP (SPECIAL) A3 5 TON
 TEMPORARY EROSION CONTROL SEEDINGS 20 POUNDS
 TEMPORARY DITCH CHECK 4 EACH



RIPRAP DETAIL STA. 68+14

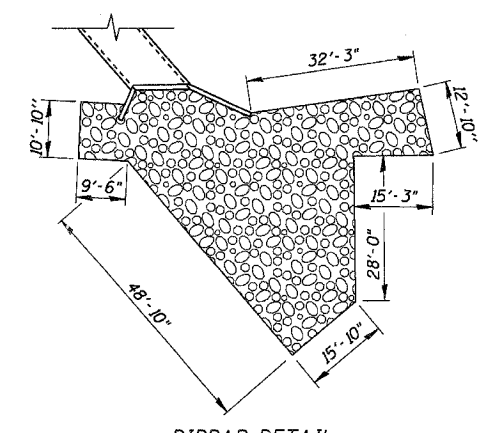
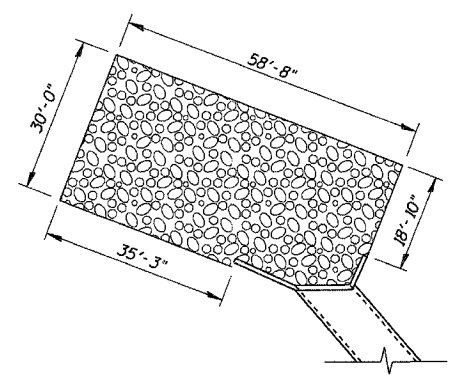
LEGEND

	INDICATES LIMITS OF CLASS 2 SEEDING (SPECIAL)
	INDICATES LIMITS OF RIPRAP (SPECIAL)
	TEMPORARY DITCH CHECK
	INLET AND PIPE PROTECTION
	PERIMETER EROSION BARRIER



LOCATION 8

QUANTITIES STA. 106+25 TO STA. 109+75
 SEEDING CLASS 2 (SPECIAL) 0.4 ACRE
 RIPRAP (SPECIAL) A4 310 TON
 TEMPORARY EROSION CONTROL SEEDINGS 40 POUNDS
 TEMPORARY DITCH CHECK 4 EACH
 PERIMETER EROSION BARRIER 35 FEET



RIPRAP DETAIL STA. 108+74

EROSION CONTROL PLAN

CH 10
 SECTION 05-00075-05-RS
 SANGAMON COUNTY
 STA. 51+00 TO 111+00

CUMMINS ENGINEERING CORPORATION

JOB #: 2171
FILE: 2171EROSION
DATE: 4/25/07