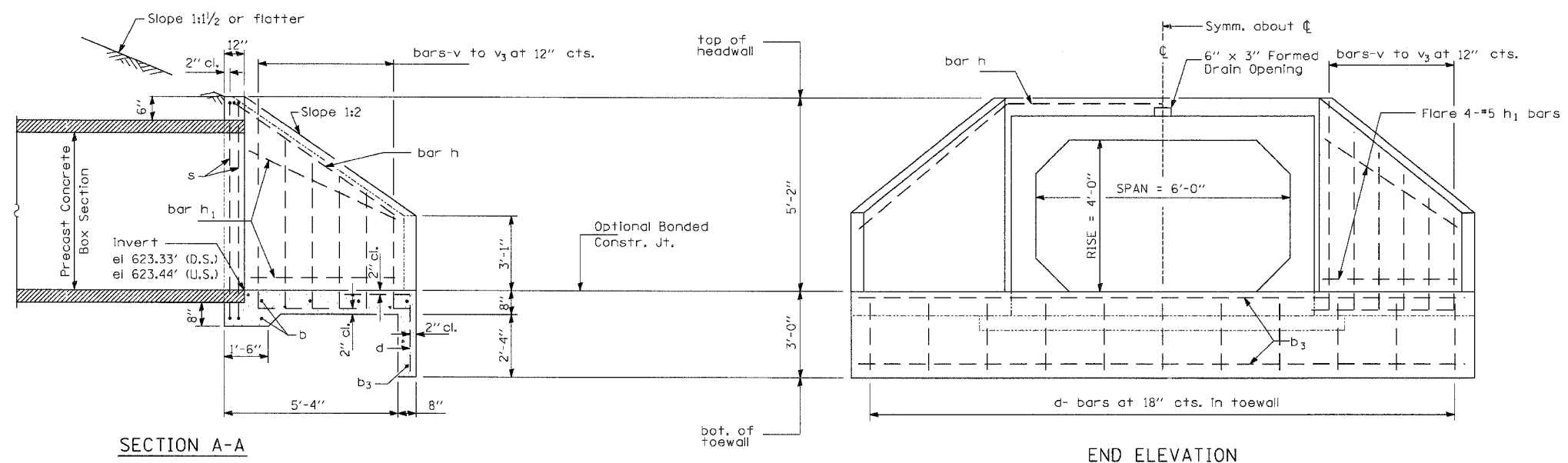


ROUTE NO.	SECTION	COUNTY	TOTAL SHEETS	SHEET NO.
FAS 621	05-00075 05-RS	SANGAMON	72	33

CONTRACT NO. 93439

# BOX CULVERT END SECTION, LOCATION 1



### GENERAL NOTES

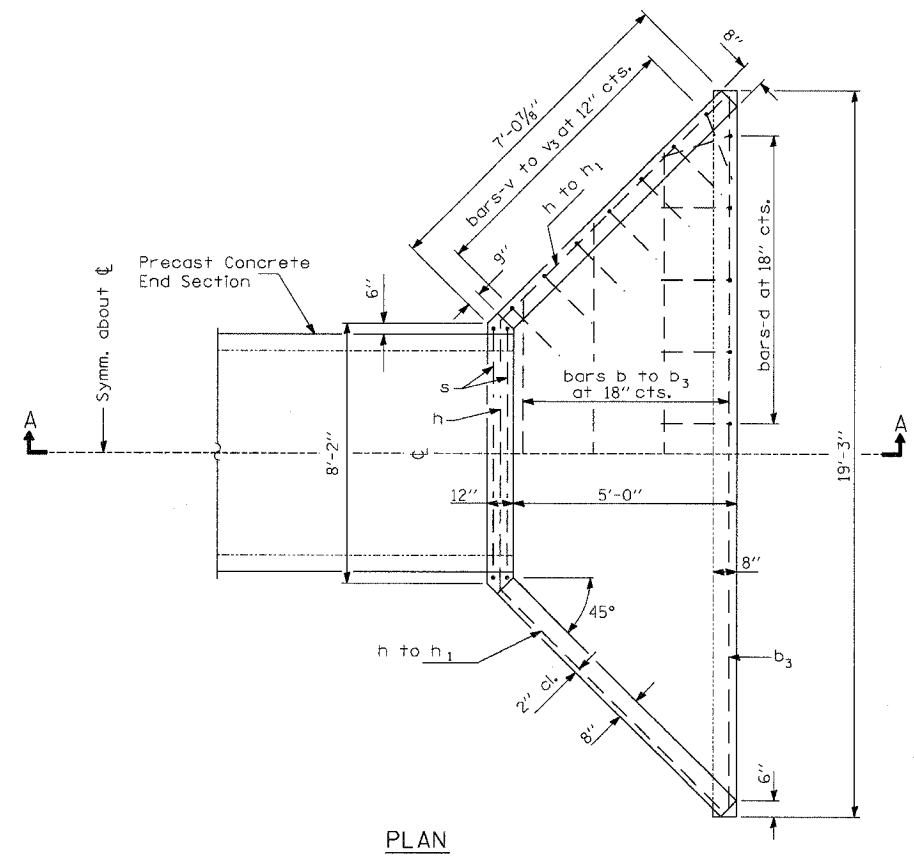
All slope ratios are expressed as units of vertical displacement to units of horizontal displacement (V:H).

Cut or bend  $h_1$  bars to fit.

This work will be paid for at the contract bid price each for BOX CULVERT END SECTION, CULVERT NO. 1

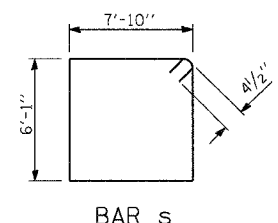
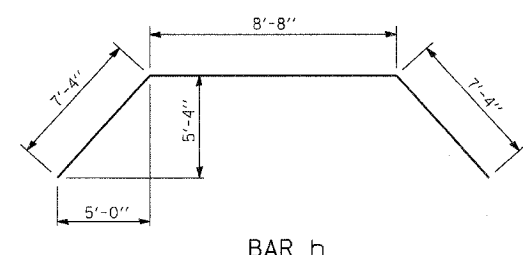
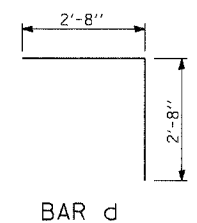
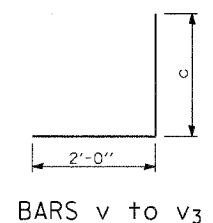
### BILL OF MATERIAL

ITEM	UNIT	QUANTITY
BOX CULVERT END SECTION, CULVERT NO. 1	EACH	2



### DIMENSIONS OF BENT BARS

No. 5 -bars v to v3		
BARS	c	TOTAL LENGTH
v	5'-2"	7'-2"
v1	4'-7"	6'-7"
v2	4'-0"	6'-0"
v3	3'-5"	5'-5"



### BAR LIST - 1 END SECTION FOR INFORMATION ONLY

Bar	No.	Size	Length	Shape
b	2	#4	10'-4"	—
b1	1	#4	13'-4"	—
b2	1	#4	16'-4"	—
b3	2	#4	18'-10"	—
d	13	#4	5'-4"	┌
h	1	#5	23'-4"	┌
h1	8	#5	7'-3"	—
s	2	#4	28'-7"	┌
v	4	#5	7'-2"	┌
v1	4	#5	6'-7"	┌
v2	4	#5	6'-0"	┌
v3	4	#5	5'-5"	┌
Reinforcement Bars		Pound	340	
Concrete Structures		Cu. Yd.	5.3	

### BOX CULVERT END SECTION, LOCATION 1

FAS 621 (CH 10)  
SECTION 05-00075-05-RS  
SANGAMON COUNTY

CUMMINS ENGINEERING CORPORATION  
JOB #: 2171  
FILE: 2171endsec  
DATE: 5/3/07