

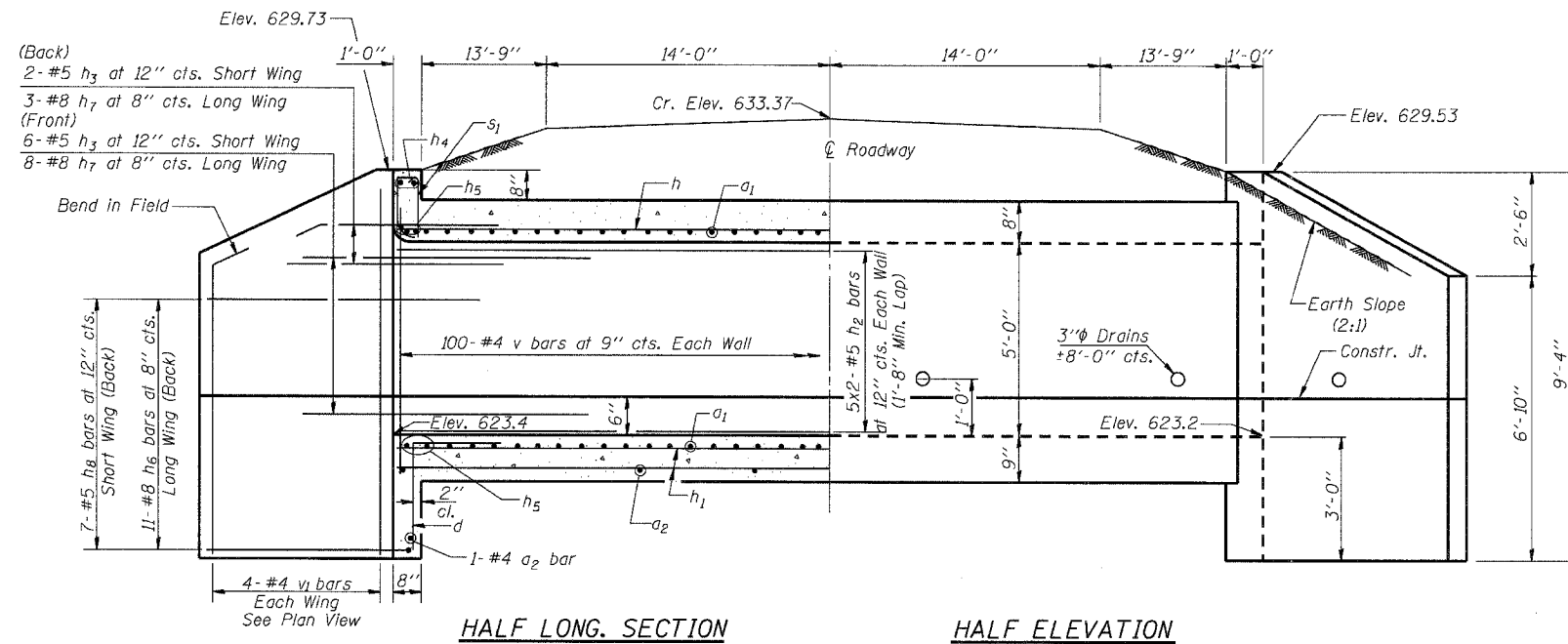
BM #2 Spike Nail in Power Pole 41' Rt. Sta. 108+62 Elev. 631.41

**WATERWAY INFORMATION - LOCATION 8**

Drainage Area 400 acres  
 30 year Design Discharge 327 c.f.s.  
 100 year Discharge 444 c.f.s.  
 30 year Design Headwater Elev. 629.8  
 100 year Headwater Elev. 632.0

ROUTE NO.	SECTION	COUNTY	TOTAL SHEETS	SHEET NO.
FAS 621	05-00075-05-RS	SANGAMON	72	35
ROAD DIST.		ILLINOIS PROJECT		

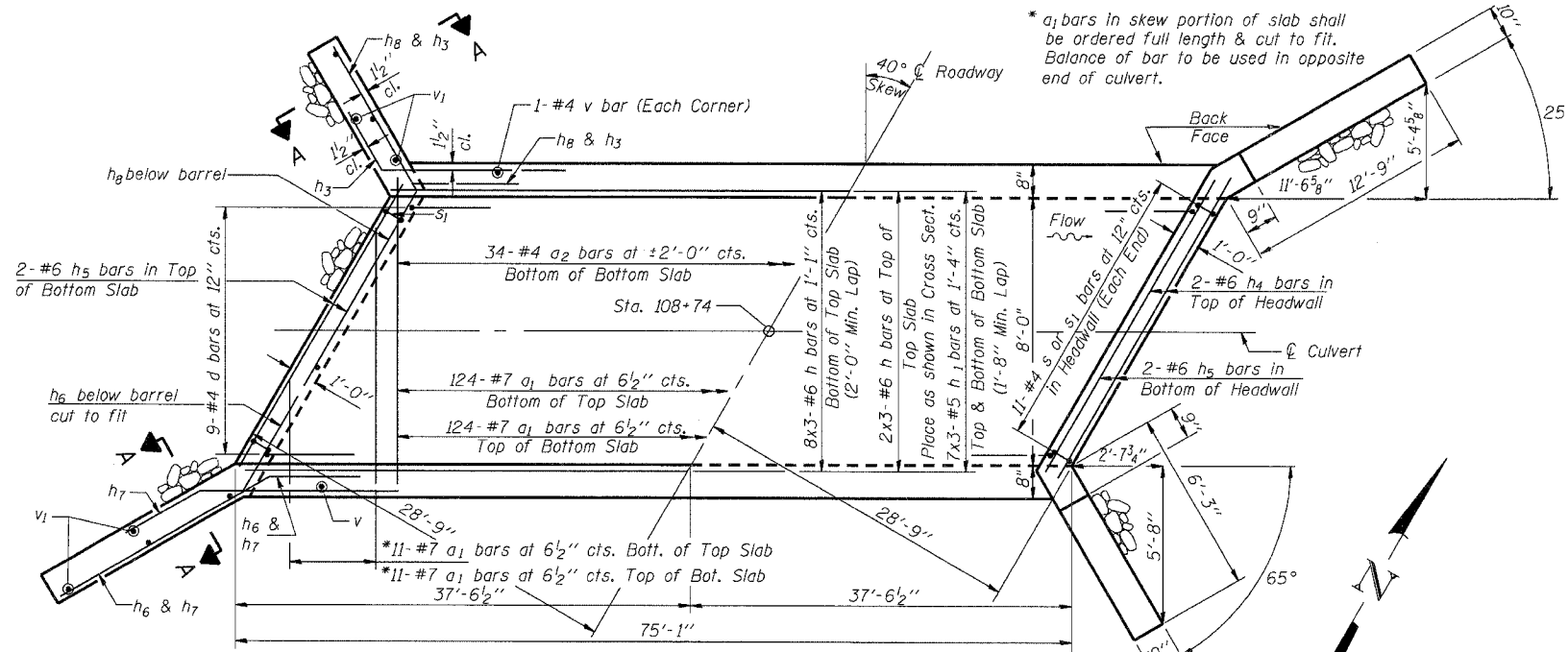
CONTRACT NO. 93439



**HALF LONG. SECTION**

**HALF ELEVATION**

Dimensions at Rt. L's to  $\phi$  Roadway



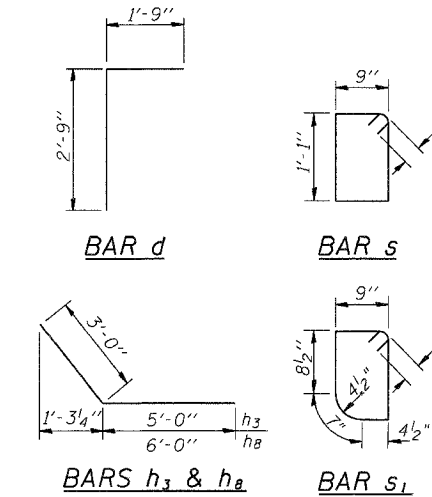
**SHOWING REINFORCEMENT**

**SHOWING OUTLINES**

**PLAN**

**NOTES**

A distance of half the length of the wingwall but not less than six feet of the barrel shall be poured monolithically with the wingwalls.  
 Reinforcement Bars shall conform to the requirements of ASTM A 706 Grade 60 (IL Modified). See Special Provisions.  
 Bars indicated thus 8 x 3-#6 etc. indicates 8 lines of bars with 3 lengths per line.  
 All construction joints shall be bonded.  
 The precast option for the culvert will not be allowed.

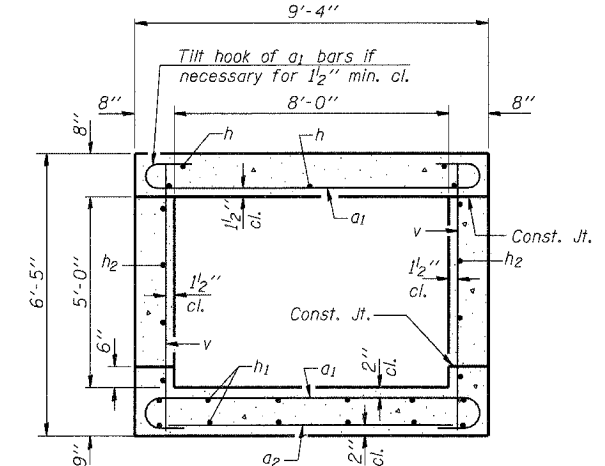


**BAR d**

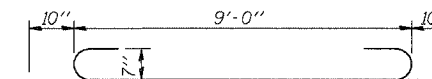
**BAR s**

**BARS h3 & h8**

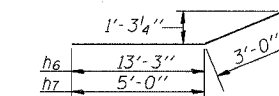
**BAR s1**



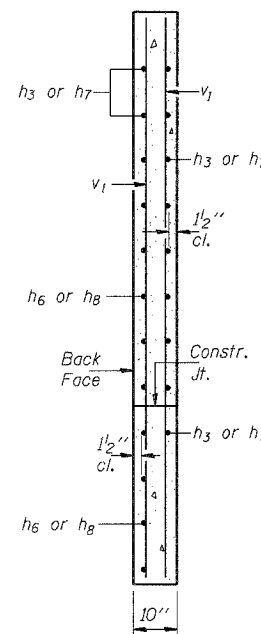
**SECTION THRU BARREL**



**BAR a1**



**BARS h6 & h7**



**SECTION A-A**

**SECTION THRU HEADWALL**  
(Up Stream End Only)

**BILL OF MATERIAL**

Bar	No.	Size	Length	Shape
a1	270	#7	10'-8"	U
a2	36	#4	8'-7"	—
d	18	#4	4'-6"	L
h	30	#6	26'-3"	—
h1	42	#5	26'-0"	—
h2	20	#5	38'-2"	—
h3	16	#5	8'-0"	—
h4	4	#6	10'-9"	—
h5	8	#7	10'-9"	—
h6	22	#8	16'-3"	—
h7	22	#8	8'-0"	—
h8	14	#5	9'-0"	—
s	11	#4	4'-5"	U
s1	11	#4	4'-3"	U
v	204	#4	6'-1"	—
v1	16	#4	9'-0"	—
Concrete Box Culverts			Cu. Yd.	65.9
Reinforcement Bars			Pound	12190

DESIGNED	Tim S. Howard
CHECKED	Ruben V. Boehler
DRAWN	Tim S. Howard
CHECKED	Michael D. Cummins

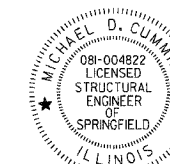
SSB-H-R 10-22-04

**DESIGN STRESSES**

$f_y = 60,000$  psi  
 $f'_c = 3,500$  psi

**LOADING HS 20-44 & ALT.**

Design Fill Height = 2'



Michael D. Cummins 5/25/09  
 (Expires 11/30/2008)

**CULVERT DETAILS**

LOCATION 8  
 FAS 621 (CH 10)  
 SECTION 05-00075-05-RS  
 SANGAMON COUNTY  
 STA. 108+74

CUMMINS ENGINEERING CORPORATION

JOB #: 2171  
 FILE: 2171sn8  
 DATE: 5/21/07