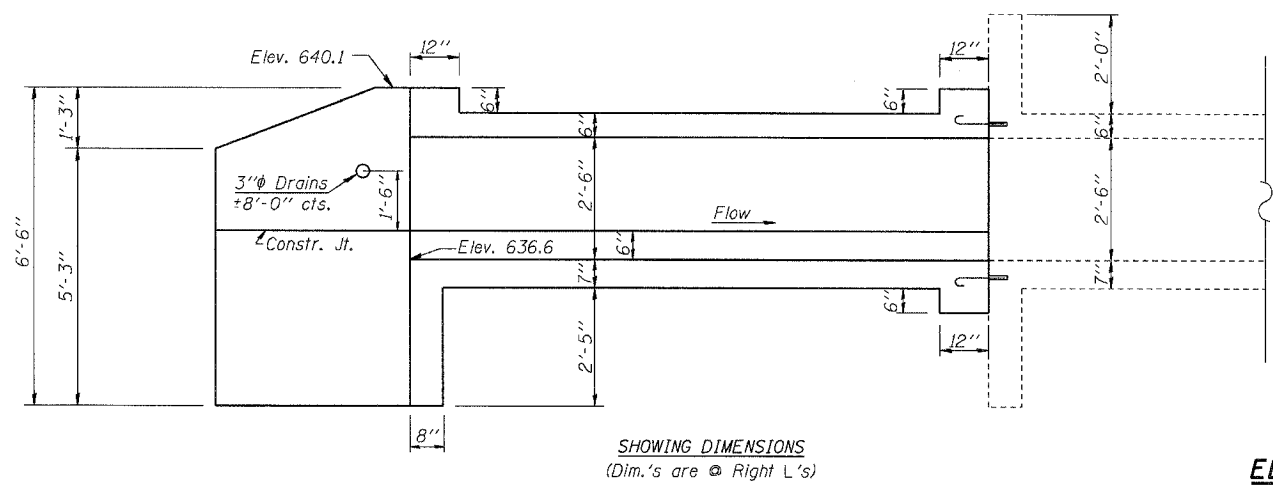


| | | | | |
|------------|------------------|----------|--------------|-----------|
| ROUTE NO. | SECTION | COUNTY | TOTAL SHEETS | SHEET NO. |
| FAS 621 | 05-00075-05-RS | SANGAMON | 72 | 36 |
| ROAD DIST. | ILLINOIS PROJECT | | | |

CONTRACT NO. 93439

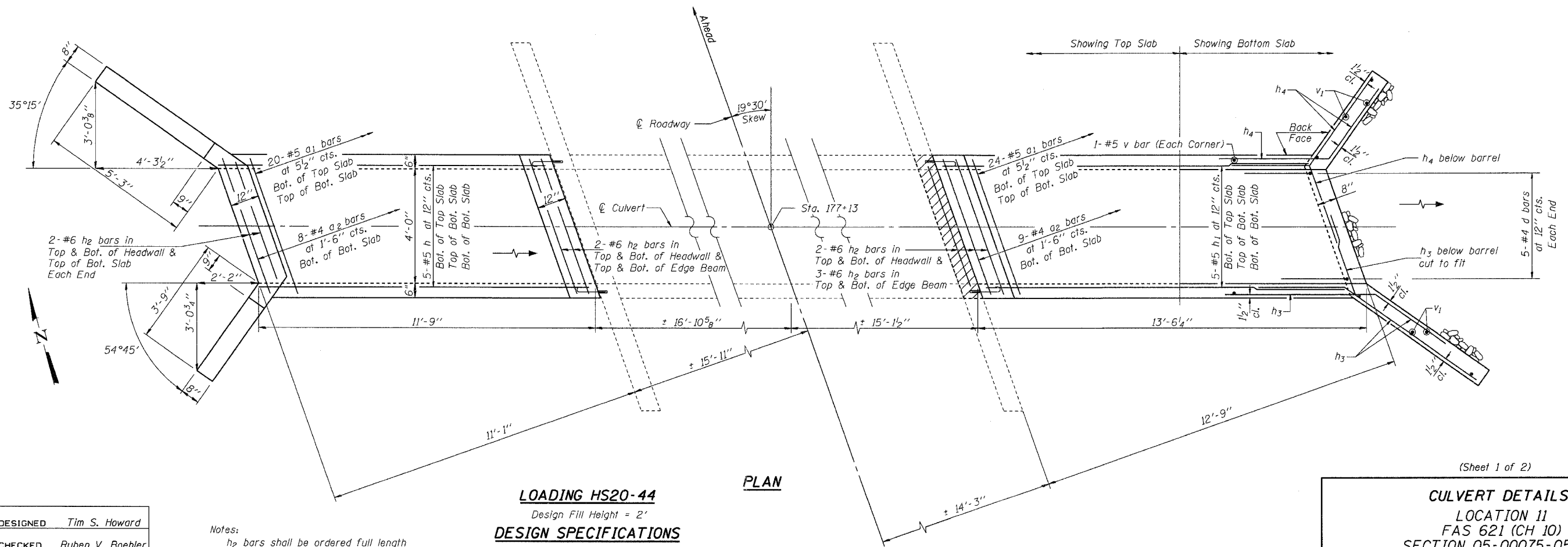
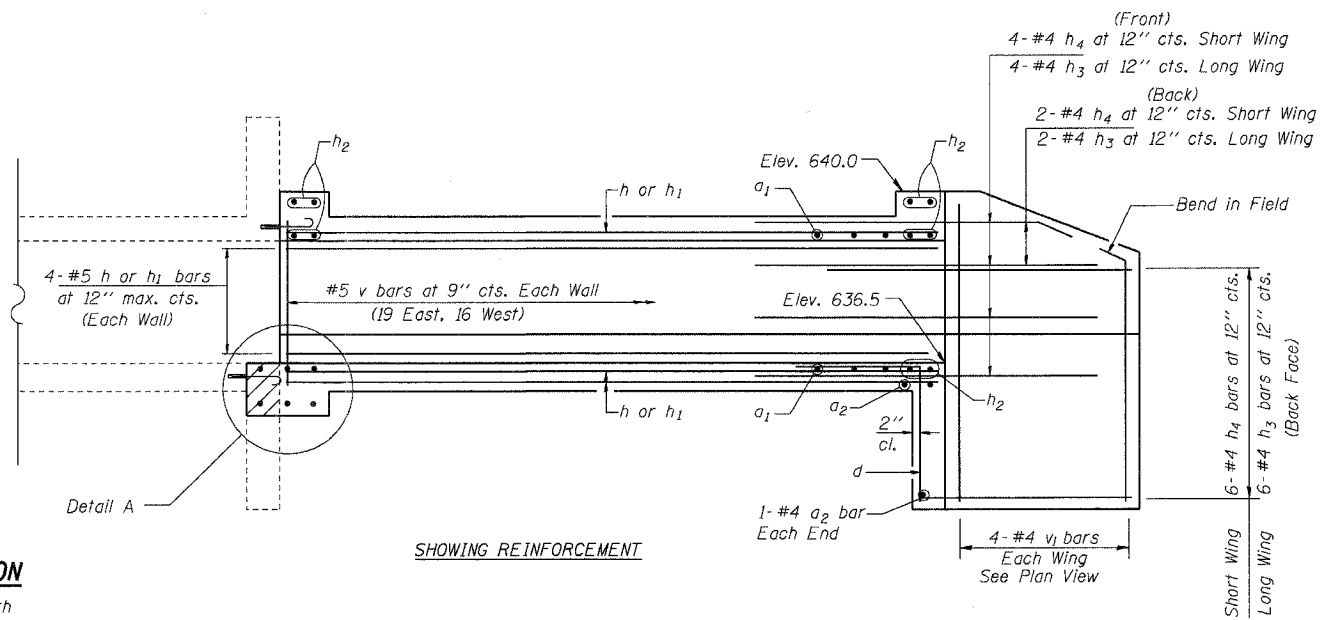
GENERAL NOTES

See next sheet for general notes.



ELEVATION

Looking North



LOADING HS20-44
Design Fill Height = 2'
DESIGN SPECIFICATIONS
2002 AASHTO
DESIGN STRESSES
 $f_y = 60,000 \text{ psi}$
 $f_c = 3,500 \text{ psi}$

Notes:
 h_2 bars shall be ordered full length and cut to fit in headwalls at ends of box culvert extensions.
Hatched areas indicate limits of Concrete Removal.

| | |
|----------|--------------------|
| DESIGNED | Tim S. Howard |
| CHECKED | Ruben V. Boehler |
| DRAWN | Nicole L. Darling |
| CHECKED | Michael D. Cummins |

(Sheet 1 of 2)

CULVERT DETAILS
LOCATION 11
FAS 621 (CH 10)
SECTION 05-00075-05-RS
SANGAMON COUNTY
STA. 177+13

CUMMINS ENGINEERING CORPORATION

JOB #: 2171
FILE: 2171sm11
DATE: 4/10/07