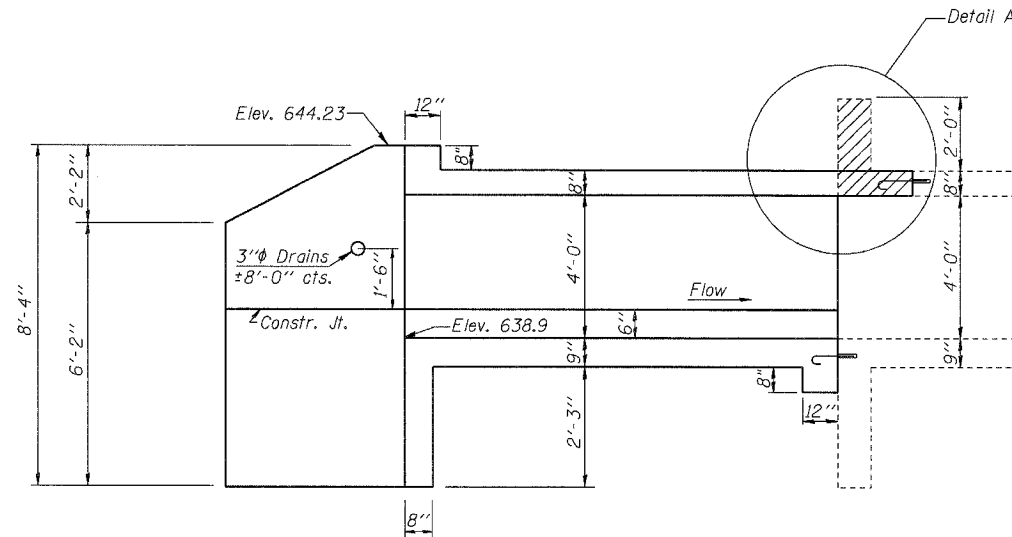


ROUTE NO.	SECTION	COUNTY	TOTAL SHEETS	SHEET NO.
FAS 621	05-00075-05-RS	SANGAMON	72	38
ROAD DIST.		ILLINOIS PROJECT		

CONTRACT NO. 93439

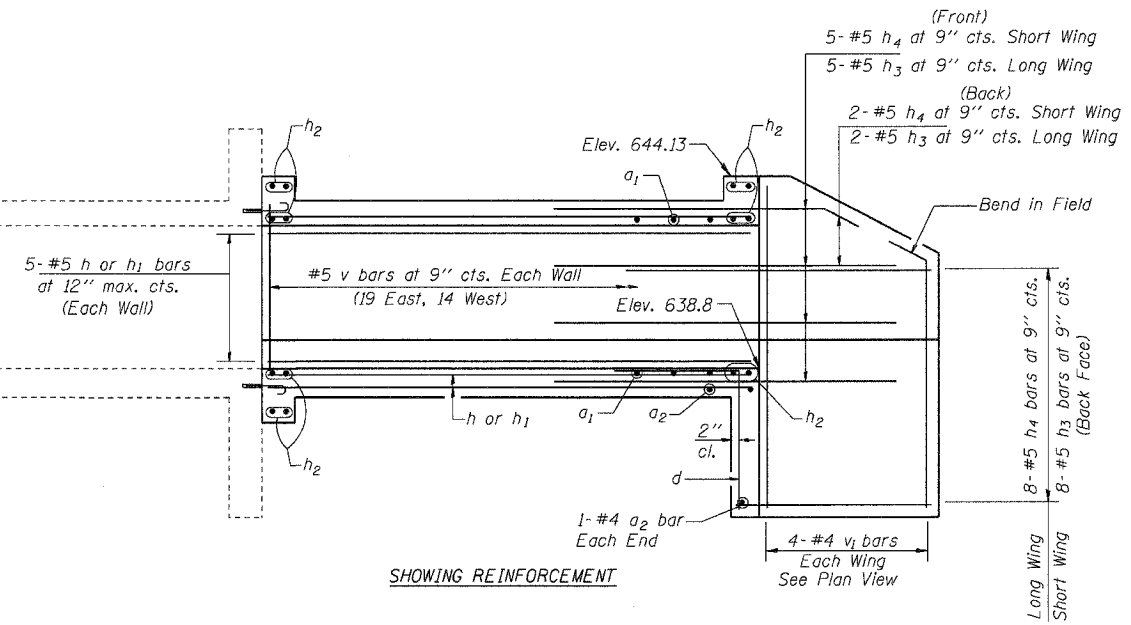
**GENERAL NOTES**

See next sheet for general notes.

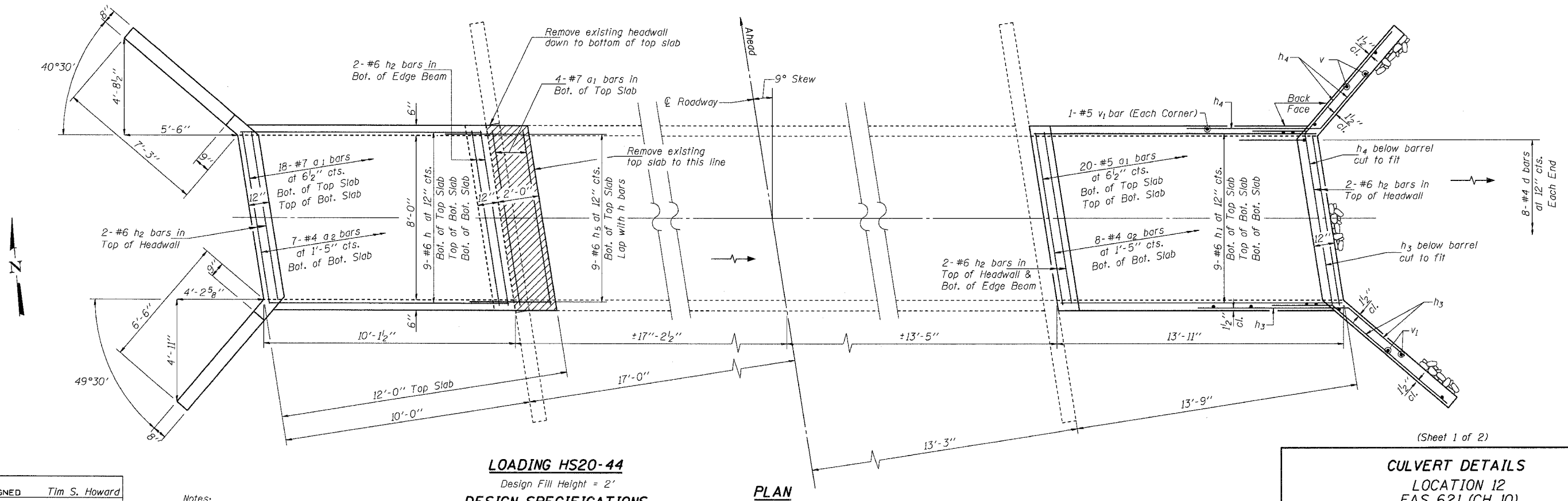


SHOWING DIMENSIONS  
(Dim.'s are @ Right L's)

**ELEVATION**  
Looking North



SHOWING REINFORCEMENT



**PLAN**

**LOADING HS20-44**  
Design Fill Height = 2'  
**DESIGN SPECIFICATIONS**  
2002 AASHTO  
**DESIGN STRESSES**  
 $f_y = 60,000$  psi  
 $f'_c = 3,500$  psi

Notes:  
 $h_2$  bars shall be ordered full length and cut to fit in headwalls at ends of box culvert extensions.  
Hatched areas indicate limits of Concrete Removal.

DESIGNED	Tim S. Howard
CHECKED	Ruben V. Boehler
DRAWN	Nicole L. Darling
CHECKED	Michael D. Cummins

**CULVERT DETAILS**  
LOCATION 12  
FAS 621 (CH 10)  
SECTION 05-00075-05-RS  
SANGAMON COUNTY  
STA. 196+79

CUMMINS ENGINEERING CORPORATION  
JOB #: 2171  
FILE: 2171en12  
DATE: 4/10/07