

ROUTE NO.	SECTION	COUNTY	TOTAL SHEETS	SHEET NO.
FAS 621	05-00075-05-RS	SANGAMON	72	39
ROAD DIST.	ILLINOIS PROJECT			

CONTRACT NO. 93439

GENERAL NOTES

Hatched areas indicate limits of Concrete Removal.

The barrel extension shall be poured monolithically with the wingwalls.

Exposed edges shall be beveled $\frac{3}{4}$ ".

Reinforcement Bars shall conform to the requirements of ASTM A 706 Grade 60 (IL Modified). See Special Provisions.

Existing reinforcement bars extending into the removal area shall be cleaned, straightened and incorporated into the new construction. All reinforcement bars that are damaged during concrete removal shall be replaced with an approved bar splicer or anchorage system. Cost included in the cost of Concrete Removal.

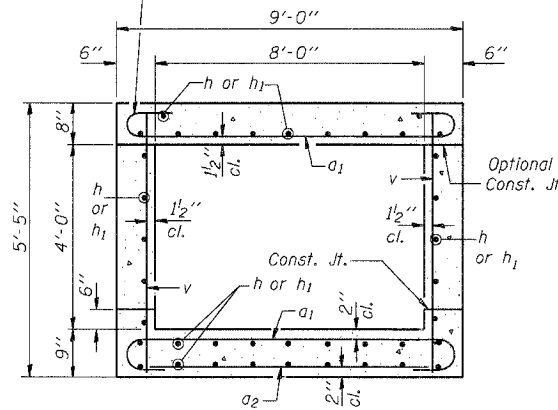
All construction joints shall be bonded.

Plan dimensions and details relative to the existing structure are subject to nominal variations. It shall be the Contractor's responsibility to verify such dimensions and details in the field and make necessary approved adjustments prior to construction or ordering of materials. Such variations shall not be cause for additional compensation for a change in the scope of the work, however, the Contractor will be paid for the quantity actually furnished at the unit price for the work.

MIN. BAR LAP

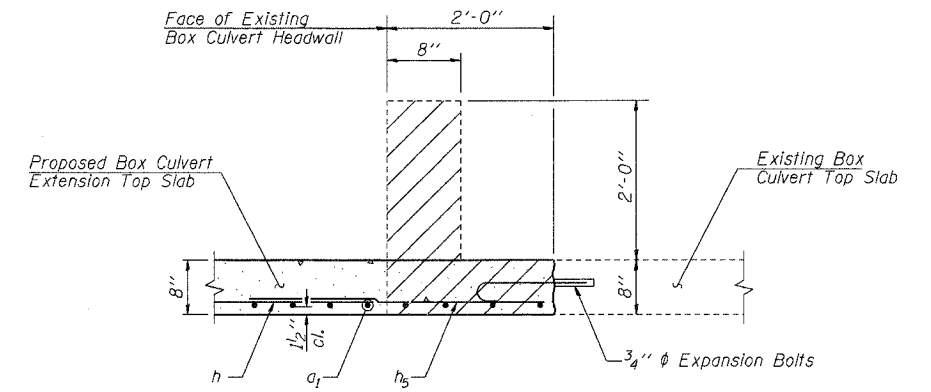
#6 Bar = 2'-0"

Tilt hook of a_1 bars if necessary to maintain $\frac{1}{2}$ " min. cl.



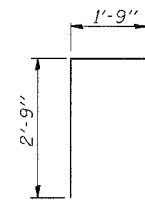
SECTION THRU BARREL

(Dim.'s are @ Right L's)

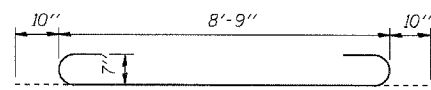


DETAIL A

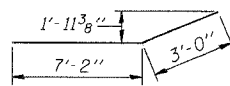
(Dim.'s are @ Right L's)



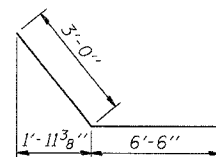
BAR d



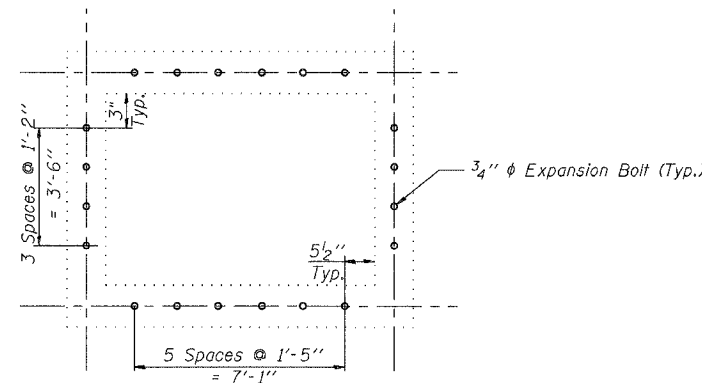
BAR a1



BAR h3



BAR h4



SECTION THRU BARREL

(Location of Expansion Bolts)
(Dim.'s are @ Right L's)

BILL OF MATERIAL

Bar	No.	Size	Length	Shape	
a_1	84	#7	10'-5"	U	
a_2	19	#4	8'-9"	—	
d	18	#4	4'-6"	L	
h	27	#6	9'-9"	—	
h_1	27	#6	13'-7"	—	
h_2	24	#6	8'-9"	—	
h_3	32	#5	10'-2"	—	
h_4	32	#5	9'-6"	—	
h_5	9	#6	4'-0"	—	
v	70	#5	5'-1"	—	
v_1	16	#4	8'-0"	—	
Concrete Box Culverts				Cu. Yd.	22.5
Reinforcement Bars				Pound	4390
Expansion Bolts $\frac{3}{4}$ Inch				Each	40
Concrete Removal				Cu. Yd.	0.9

Note:
Expansion bolts shall be $\frac{3}{4}$ " ϕ hooked bolts. Hooked bolts shall extend a minimum of 9" into new concrete.

(Sheet 2 of 2)

DESIGNED	Tim S. Howard
CHECKED	Ruben V. Boehler
DRAWN	Nicole L. Darling
CHECKED	Michael D. Cummins

CULVERT DETAILS
LOCATION 12
FAS 621 (CH 10)
SECTION 05-00075-05-RS
SANGAMON COUNTY
STA. 196+79

CUMMINS ENGINEERING CORPORATION	JOB #: 2171
	FILE: 2171sm12
	DATE: 4/10/07

LOCATION 12