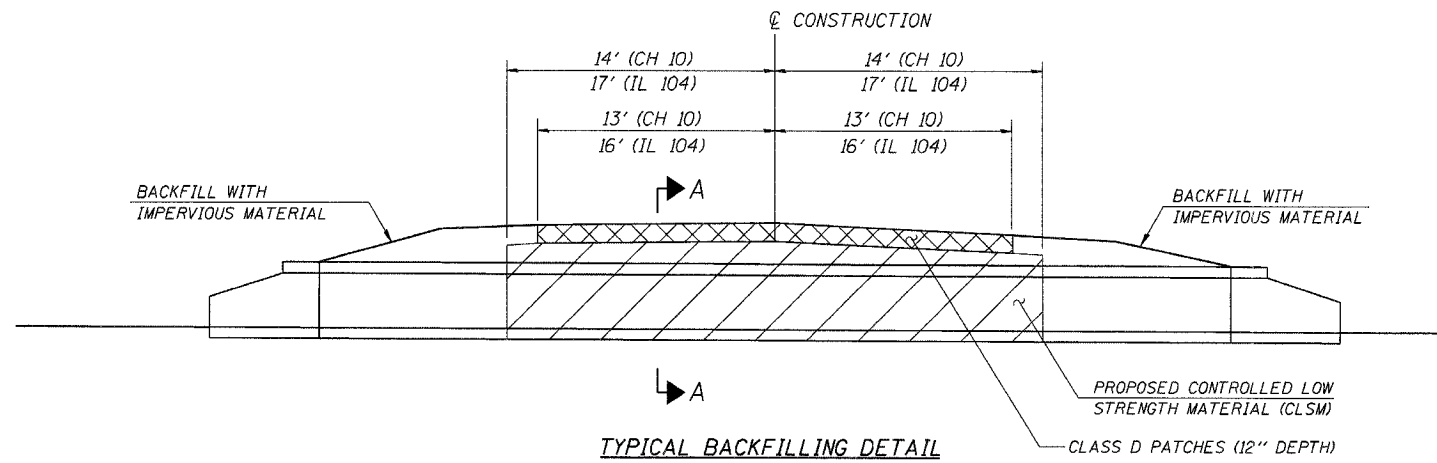
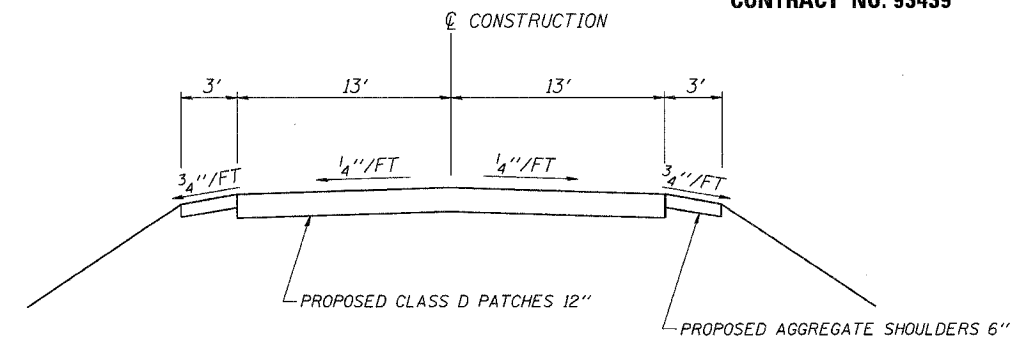


CONTRACT NO. 93439

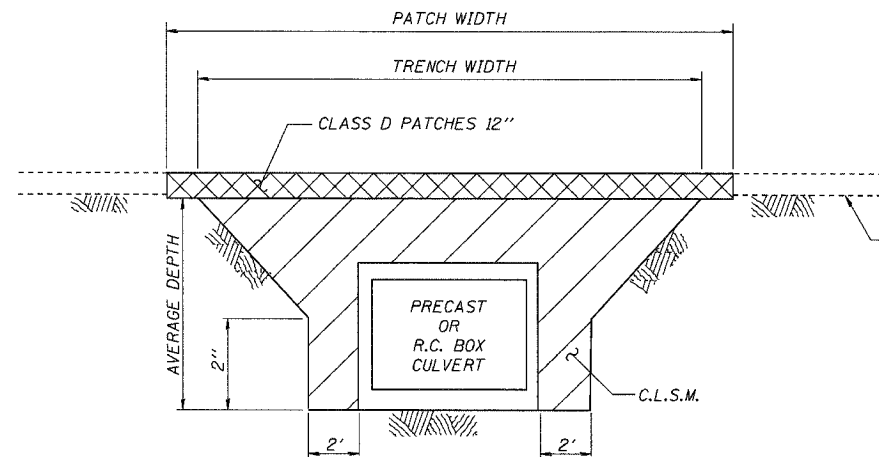


TYPICAL BACKFILLING DETAIL



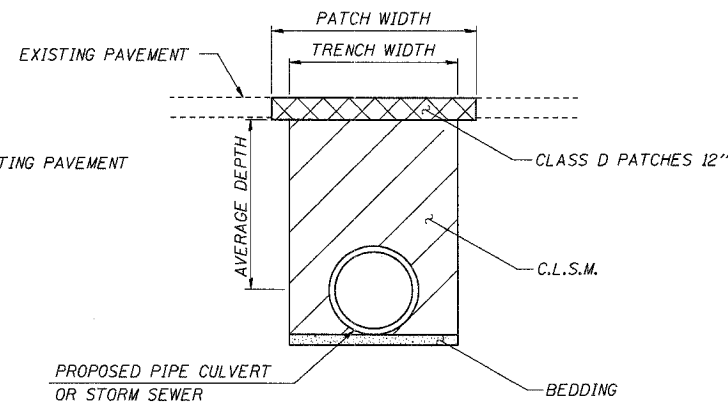
CH 10 PROPOSED TYPICAL CROSS SECTION AT CLASS D PATCHES

LOCATION 3, 5, 7, 8 & 14



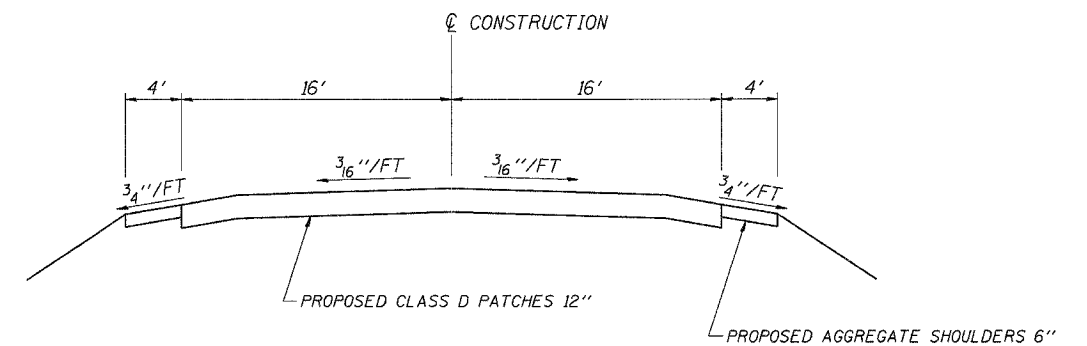
SECTION A-A
AT PRECAST OR R.C. BOX CULVERT

LOCATION 1, 5, 8 & 14



SECTION A-A
AT PIPE CULVERT & STORM SEWER

LOCATION 3 & 7



IL 104 PROPOSED TYPICAL CROSS SECTION AT CLASS D PATCHES

LOCATION 1

CULVERT BACKFILL SCHEDULE

LOCATION	STATION	STRUCTURE SIZE	STRUCTURE TYPE	AVERAGE TRENCH		PATCH WIDTH FT.	CLSM CU. YD.	CLASS D PATCHES 12" SQ. YD.	AGGREGATE SHOULDERS TON
				DEPTH FT.	WIDTH FT.				
CH 10									
3	LT STA. 8+73 TO STA. 10+20	24"φ	STORM SEWER	2.0	4.0	4.0	131	55	2
5	STA. 45+34	6'x3'	PRECAST BOX CULVERT	5.0	17.2	18.2	47	53	4
7	STA. 68+14	48"φ	PIPE CULVERT	5.5	6.8	7.8	16	23	2
8	STA. 108+74	8'x4'	R.C. BOX CULVERT	7.0	23.0	24.0	120	91	6
14	STA. 293+56	5'x4'	PRECAST BOX CULVERT	8.3	22.6	23.6	124	69	6
IL 104									
1	STA. 9+25	6'x4'	PRECAST BOX CULVERT	6.0	19.3	20.3	75	72	6
1	STA. 9+74	5'x4'-2"	R.C. BOX CULVERT (EXIST)	-	-	-	38	-	-
TOTAL							551	363	26

BACKFILL, CLASS D PATCHES,
& RIPRAP DETAILS

FAS 621 (CH 10)
SECTION 05-00075-05-RS
SANGAMON COUNTY

CUMMINS ENGINEERING CORPORATION

JOB #: 2171
FILE: 2171PATCH
DATE: 4/30/07