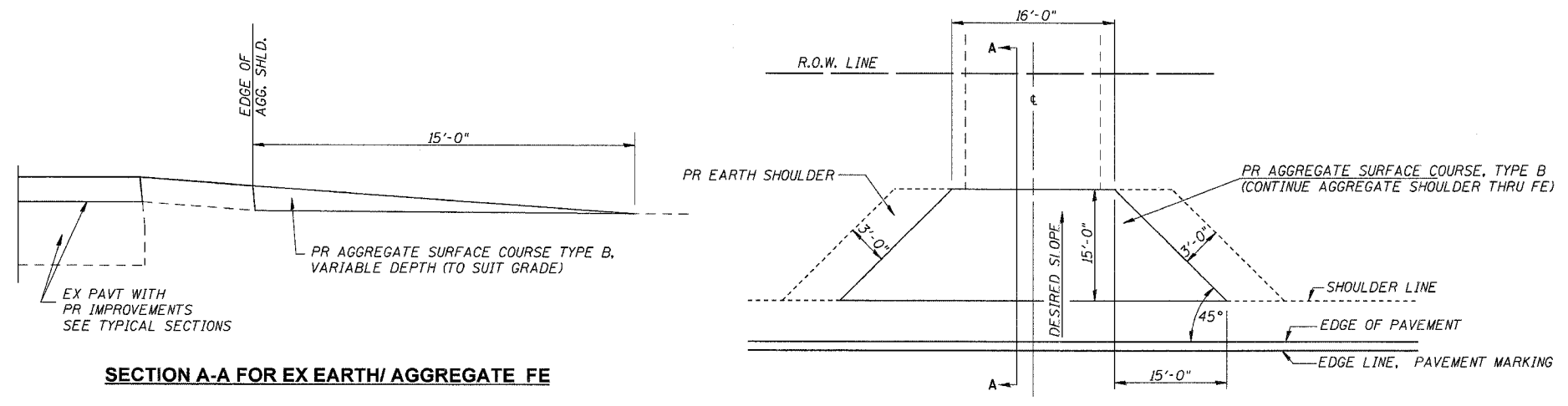


ROUTE NO.	SECTION	COUNTY	TOTAL SHEETS	SHEET NO.
FAS 621	05-00075-05-RS	SANGAMON	72	45

CONTRACT NO. 93439



SECTION A-A FOR EX EARTH/ AGGREGATE FE

PLAN

FIELD ENTRANCES

ENTRANCE TYPE	SURFACE TYPE	WIDTH FEET	AGGREGATE SURFACE COURSE TYPE B TON
FE	Aggregate	16	15/each
TOTAL NUMBER OF FIELD ENTRANCES = 50			x 50
TOTALS =			750

APPLICATION RATES USED IN QUANTITY CALCULATIONS

Granular Materials 2.05 Tons/Cu. Yd.

DETAILS FOR FIELD ENTRANCES

FAS 621 (CH 10)
SECTION 05-00075-05-RS
SANGAMON COUNTY

CUMMINS ENGINEERING CORPORATION	JOB #: 2171
	FILE#: 2171ENT
	DATE: 4/30/07