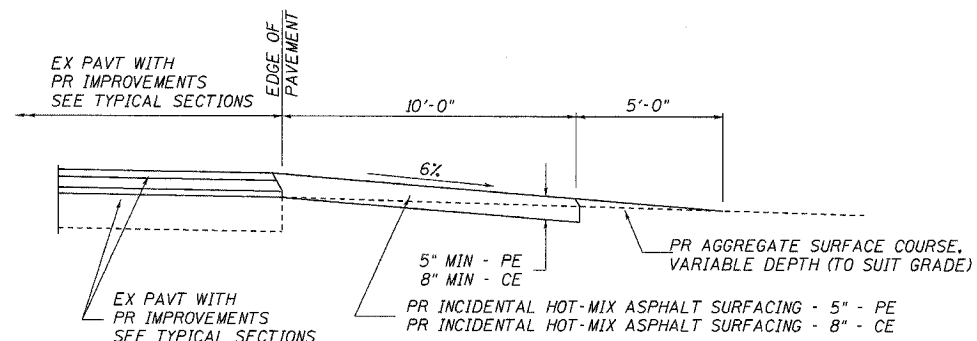
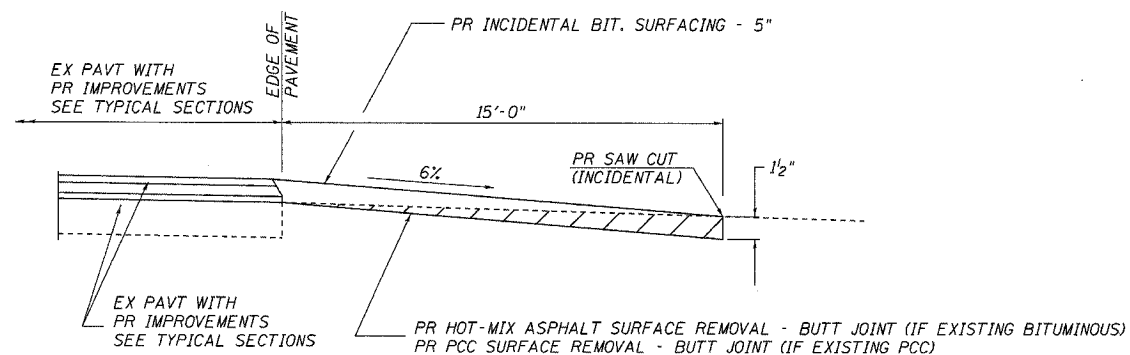


ROUTE NO.	SECTION	COUNTY	TOTAL SHEETS	SHEET NO.
FAS 621	05-00075 -05-RS	SANGAMON	72	46

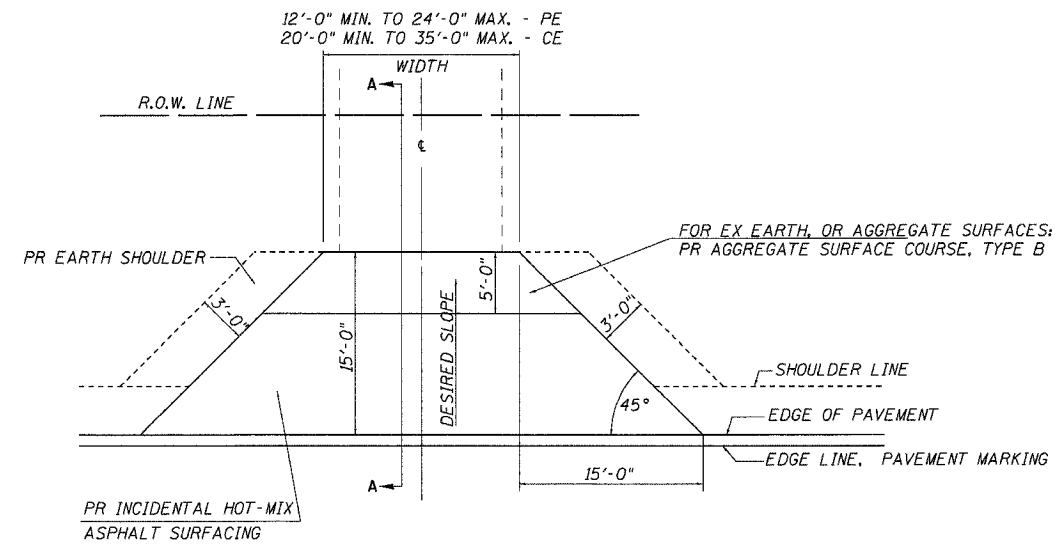
CONTRACT NO. 93439



SECTION A-A FOR EX EARTH/AGGREGATE PE & CE



SECTION A-A FOR EX BITUMINOUS/PCC CONCRETE PE



PLAN

APPLICATION RATES USED IN QUANTITY CALCULATIONS

Granular Materials	2.05 Tons/Cu. Yd.
Bituminous Materials (Prime Coat)	0.10 Gallons/Sq. Yd. (Bit. Bases)
	0.35 Gallons/Sq. Yd. (Agg. Bases)
HOT-MIX ASPHALT	112 lbs./Sq. Yd./1" Thickness

LEGEND

PE = PRIVATE ENTRANCE
 CE = COMMERCIAL ENTRANCE
 MB = MAILBOX TURNOUT
 (SEE SHEET 18 FOR DETAILS)

PRIVATE AND COMMERCIAL ENTRANCES

LOCATION	ENTRANCE TYPE	SURFACE TYPE	WIDTH FEET	HOT-MIX ASPHALT SURFACE REMOVAL - BUTT JOINT SQ YD	BITUMINOUS MATERIALS (PRIME COAT) GALLON	INCIDENTAL HOT-MIX ASPHALT SURFACING TON	AGGREGATE SURFACE COURSE TYPE B TON	AGGREGATE BASE COURSE TYPE B TON
LT 289+96	PE/MB	AGGREGATE	12		13	21	3	8
LT 304+90	CE	AGGREGATE	30		20	25	6	
LT 313+47	PE	AGGREGATE	12		13	10	2	
RT 55+80	PE	AGGREGATE	14		14	11	2	
RT 56+80	PE	AGGREGATE	16		14	12	3	
RT 116+13	PE/MB	AGGREGATE	18		15	24	4	8
RT 118+00	PE	OIL & CHIP	16	52	6	15		
RT 173+64	PE	OIL & CHIP	12	45	5	13		
RT 193+91	PE/MB	AGGREGATE	12		13	21	3	8
RT 211+36	PE/MB	AGGREGATE	12		13	21	3	8
RT 229+24	PE/MB	AGGREGATE	12		13	21	3	8
RT 238+61	PE/MB	OIL & CHIP	20	59	6	32		
RT 238+81	PE	OIL & CHIP	12	45	5	13		
RT 280+00	CE	AGGREGATE	20		16	20	4	
RT 298+77	PE/MB	BITUMINOUS	12	45	5	26		8
RT 309+30	PE	AGGREGATE	12		13	10	2	
TOTAL				246	184	295	35	56

DETAILS FOR PRIVATE AND COMMERCIAL ENTRANCES

FAS 621 (CH 10)
 SECTION 05-00075-05-RS
 SANGAMON COUNTY

CUMMINS ENGINEERING CORPORATION

JOB #: 2171
 FILE: 2171ENT
 DATE: 4/30/07