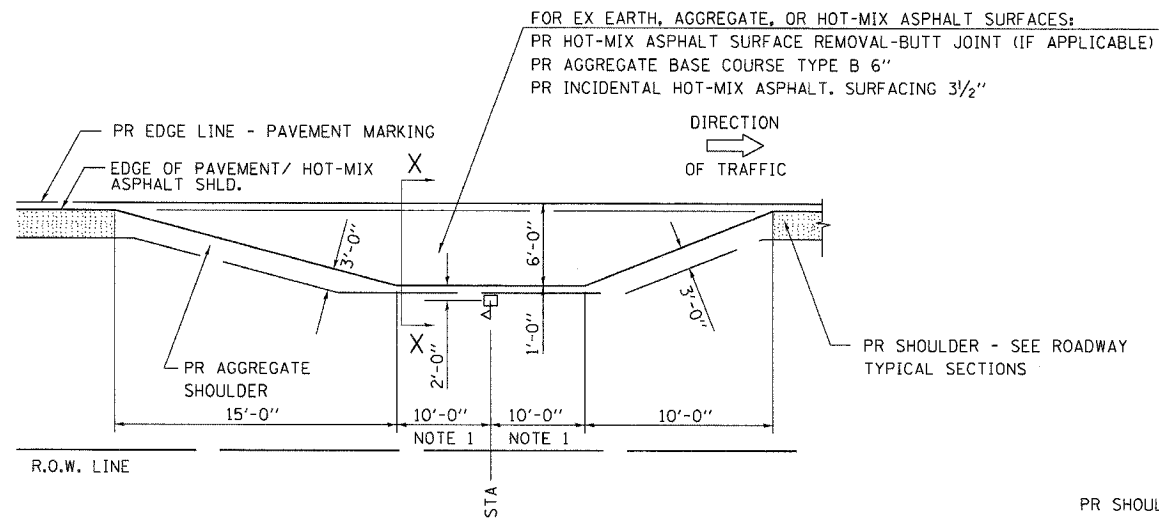


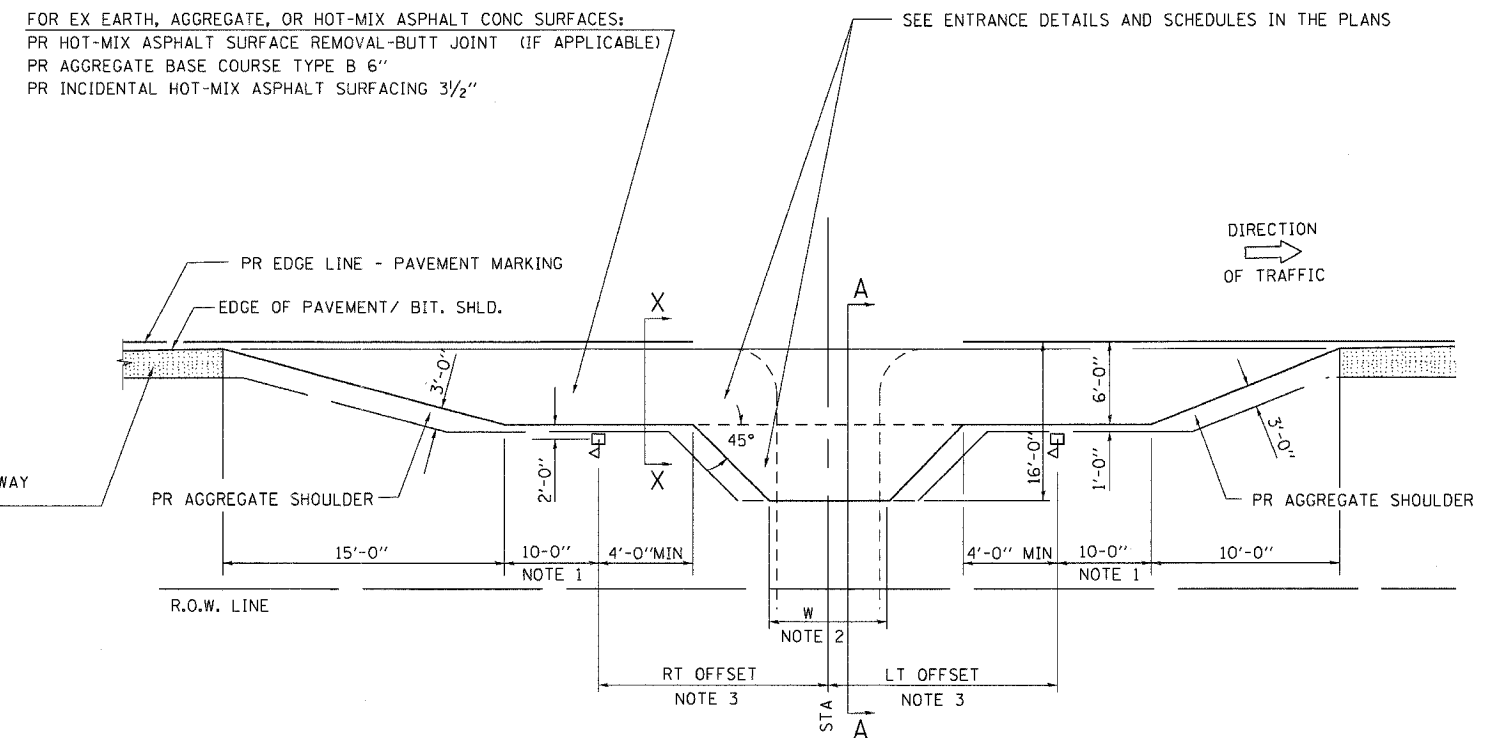
ROUTE NO.	SECTION	COUNTY	TOTAL SHEETS	SHEET NO.
FAS 621	05-00075 -05-RS	SANGAMON	72	47

CONTRACT NO. 93439

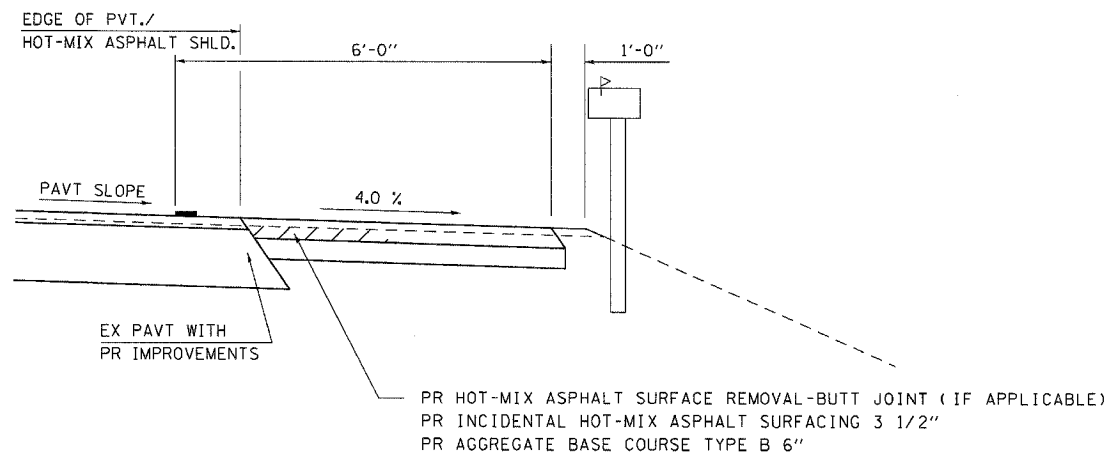
DETAILS OF MAILBOX TURNOUTS



PLAN - MAILBOX TURNOUTS



PLAN - COMBINED MAILBOX TURNOUT WITH TRAILING OR LEADING ENTRANCE



SECTION X-X THRU MAILBOX TURNOUT
 ALSO APPLIES TO MAILBOX TURNOUTS COMBINED WITH
 EX EARTH, AGGREGATE, OR HOT-MIX ASPHALT PE & FE

(DETAIL APPLIES WHEN M.B. TURNOUT DOES NOT EXIST.
 IF EXISTING, TREAT SAME AS ENTRANCE.)

- NOTE 1 IF MORE THAN ONE MAILBOX IS PRESENT, DIMENSION FROM CENTER OF END MAILBOX.
- NOTE 2 FOR ENTRANCE LAYOUT DIMENSIONS AND SECTION A-A REFER TO THE SCHEDULES IN THE PLANS.
- NOTE 3 BOTH LT OR RT OFFSETS FOR MAILBOX SHOWN USE OFFSET DIMENSION PER SCHEDULE AND REFER TO LAYOUT SHOWN ON THE PLAN.

DETAILS FOR MAILBOX TURNOUTS

FAS 621 (CH 10)
 SECTION 05-00075-05-RS
 SANGAMON COUNTY

CUMMINS ENGINEERING CORPORATION

JOB #: 2171
 FILE: 2171ENT
 DATE: 4/30/07