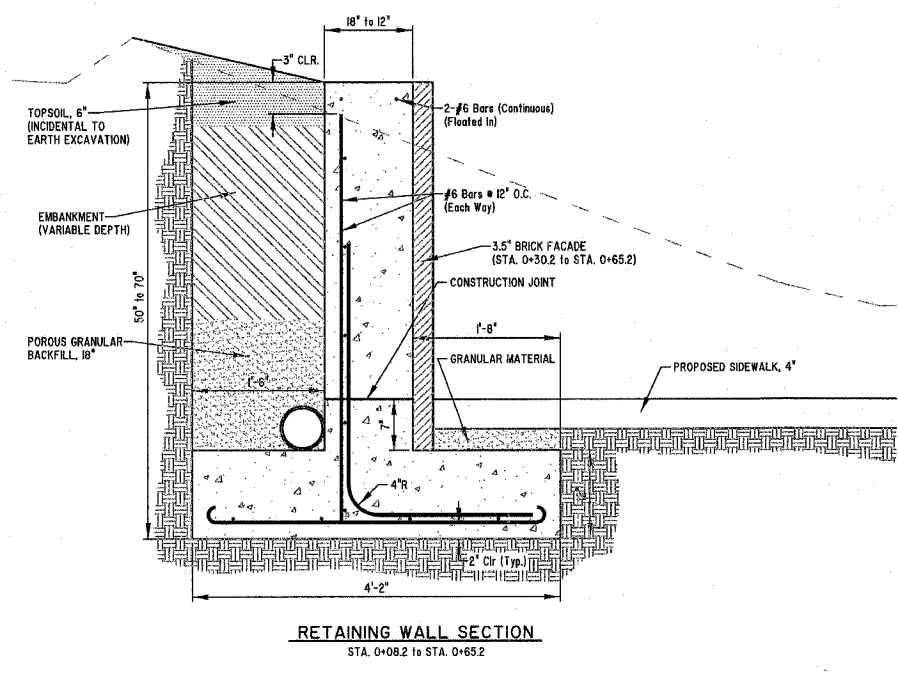
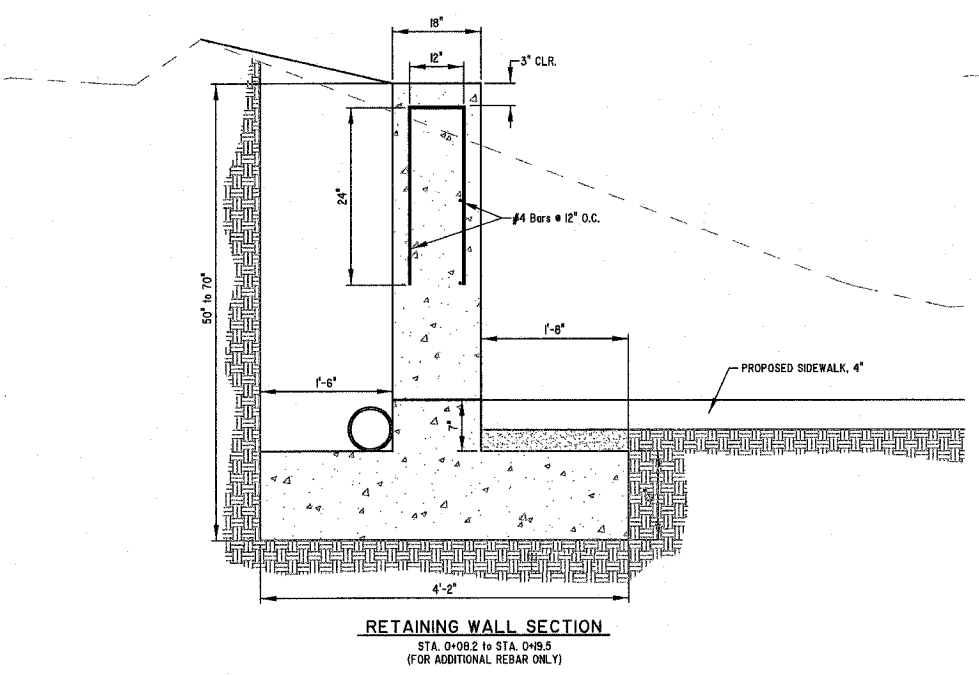
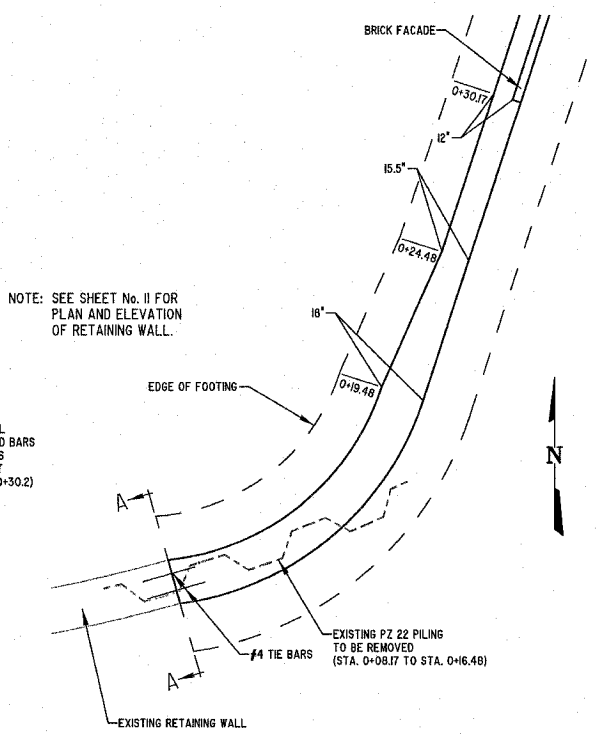
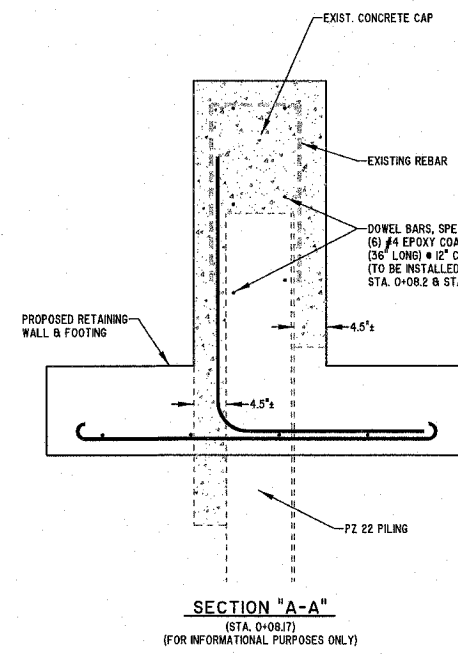
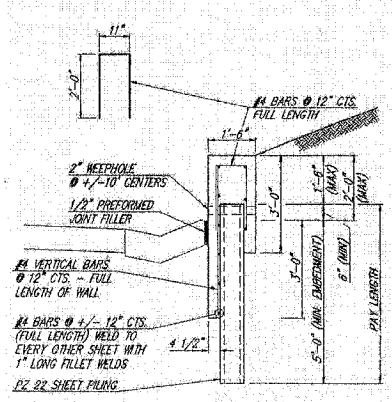
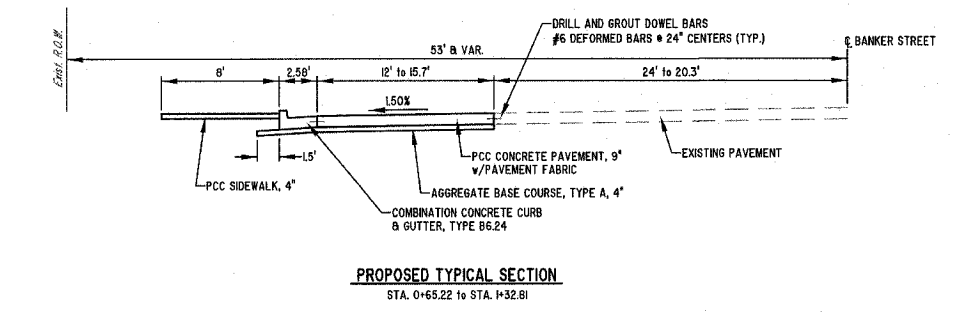
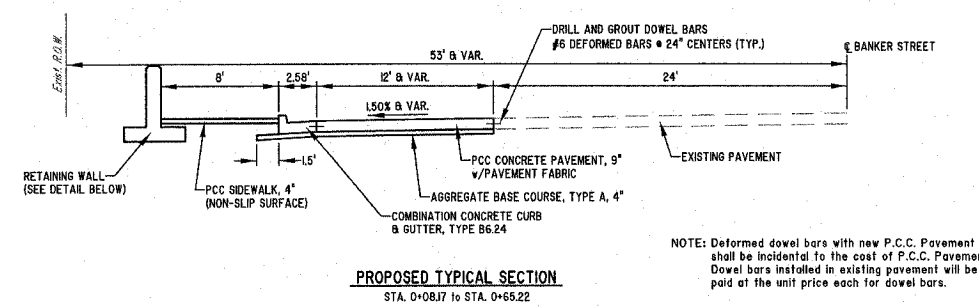


CONTRACT #95507



BAR SCHEDULE					
Location	Size	Sta. to Sta.	Sta. to Sta.	Sta. to Sta.	Total Length in Foot
Wall Horizontal	#6	0+08.2 to 0+30.2		0+30.2 to 0+65.2	322
		8 @ 21'-6"		8 @ 34'-6"	
Footing Horizontal *	#6	0+08.2 to 0+31.87	0+30.2 to 0+65.2		346
		4 @ 23'-0"	4 @ 34'-6"		
Vertical Hooked (Footing)	#6	24 @ varies 3'-9" to 4'-6"	0	36 @ varies 3'-9" to 5'-6"	278
Bent	#6	24 @ 5'-0"	0	36 @ 5'-0"	300
				36 @ 5'-0"	300
#6 Bars Total Length					1556 FT
Weight: 1556' x 1.502 #/ft					2337 LBS
Concrete Structures					20 CY
Rubbed Finish					42 SF
Brick Façade					200 SF
Porous Granular Embankment					5 CY

BAR SCHEDULE IN FACE OF WALL STA. 0+08.2 TO STA. 0+16.5			
Location	Size	Sta. to Sta.	Total Length in Foot
Horizontal	#4	1'-Centers	15
U Shape Bars	#4	2 @ 7'-6"	45
		9 @ 5'-0"	45
Total Length			60 FT
Weight: 60' x 0.668 #/ft.			40 LBS

MILANO & GRUNLOH ENGINEERS, LLC
 14 WEST WASHINGTON
 P.O. BOX 897
 EFFINGHAM, ILLINOIS 62409
 Phone: (217) 347-7262
 (800) 677-2714
 Fax #: (217) 342-3433
 Web Address: www.mgeengineers.com
 Single Firm #: 194-003100
 File name: S:\DWG\03\0303\dwg\Typical.dwg
 Plot date: 05/22/07 at 08:40

TYPICAL SECTIONS
 BANKER STREET
 CITY OF EFFINGHAM
 EFFINGHAM COUNTY, ILLINOIS