

ROUTE	SECTION	COUNTY	TOTAL SHEETS	SHEET NO.
T.R. 284	05-13111-00-BR	EFFINGHAM	13	4
CONTRACT NO. 95519		ILLINOIS		

GENERAL NOTES

- The Contractor shall drive 2 test piles as specified in a permanent location as directed by the Engineer before ordering the remaining piles.
- See Special Provisions for boring logs.
- A Calcium Nitrite Corrosion inhibitor, as covered in the Special Provisions shall be used in the concrete for precast prestressed concrete deck beams.
- Channel Excavation: This material shall be excavated as shown within the limits of the proposed bridge then tapered to the existing channel at the Roadway R.O.W. It is estimated that 50% of the Channel Excavation will be suitable for use in the embankment. Unsuitable material shall be disposed of by the Contractor.

TOTAL BILL OF MATERIAL

Item	Unit	Super	Sub.		Total
			Piers	Abuts.	
Removal of Existing Structures	Each				1
Concrete Structures	Cu.Yds.			18.2	18.2
Precast Prestressed Concrete Deck Beams (27" Depth)	Sq.Ft.	1440			1440
Steel Railing, Type S-1	Foot	120			120
Reinforcement Bars	Pound			2300	2300
Furnishing Steel Piles HP 10 X 42	Foot			300	300
Driving Piles	Foot			300	300
Test Pile Steel HP 10 X 42	Each			2	2
Name Plates	Each			1	1
Concrete Encasement	Cu.Yds.			2.1	2.1
Aggregate Base Course, Type B	Tons			60	60
Stone Dumped Riprap, Class A-4	Tons			150	150
Channel Excavation	Cu.Yds.			160	160
Fence (Erosion Control)	Foot			220	220

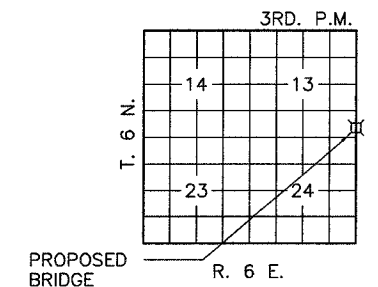
STATION 2+97.00
 RAMSEY CREEK
 SEC. 05-13111-00-BR BUILT 200
 EFFINGHAM COUNTY
 PROJECT BR-OS-(153)
 LOADING HS-20
 STR. NO. 025-3316

INDEX OF SHEETS

- GENERAL PLAN & ELEVATION
- STANDARD CS-2427-60
- STANDARD CB-2427-36
- STANDARD CB-2427-48
- STANDARD CA-2427-10
- STANDARD CR-TS1
- STANDARD CN
- STANDARD CX-1

LETTERING FOR NAME PLATE

Locate Name Plate at S.E. corner of Bridge (See Std. CR-TS1)

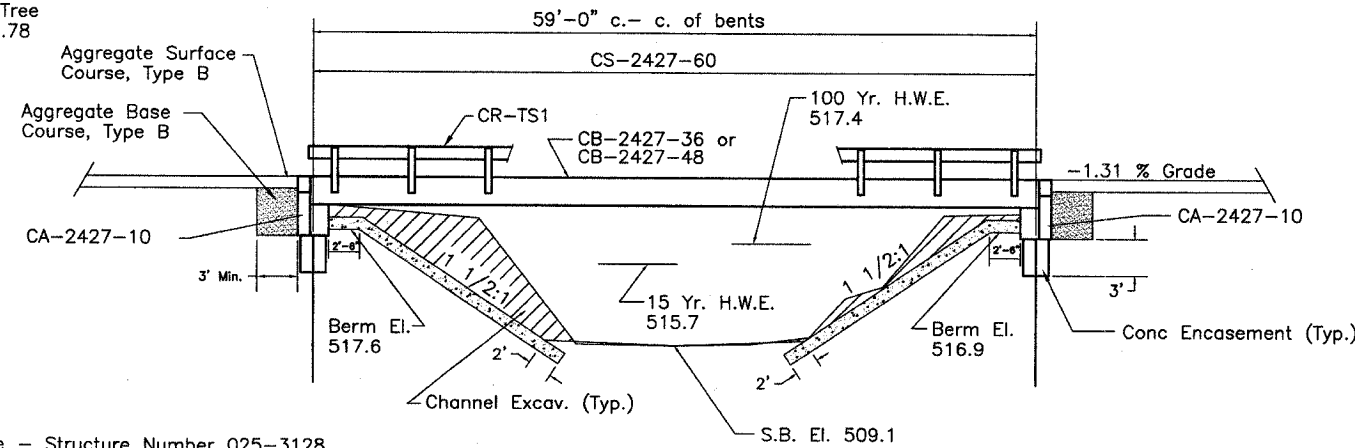


LOCATION SKETCH

GENERAL PLAN & ELEVATION

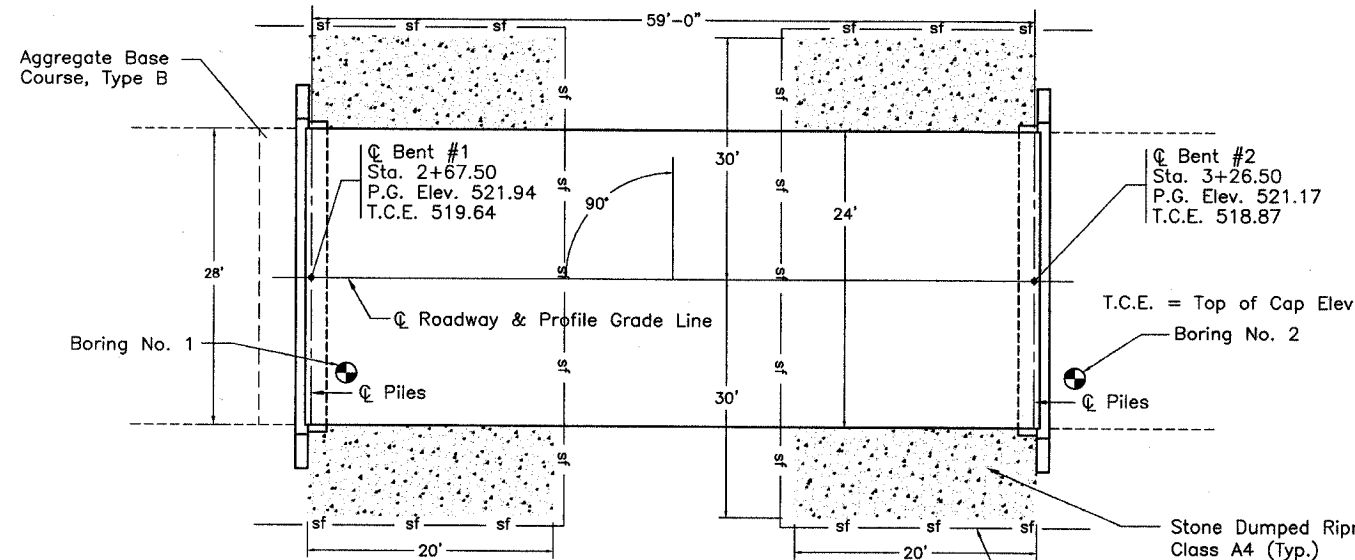
T.R. ROUTE 284
 OVER RAMSEY CREEK
 SECTION 05-13111-00-BR
 EFFINGHAM COUNTY
 STATION 2+97.00

B.M. - Lt. Sta. 3+05
 Spike in Tree
 Elev. 515.78



ELEVATION

Existing Structure - Structure Number 025-3128
 Single Span Steel Beam Bridge
 36' Bk. - Bk. Abuts.
 Closed Concrete Abutments
 14' Concrete Deck



PLAN

PILE DATA (2-ABUTS.)

Type: HP 10 X 42
 Nominal Required Bearing: 335 Kips
 Allowable Resistance Available: 82 Kips
 Estimated Length: 50'
 Number Required: 8 (Includes 2 Test Piles, 1 each located in Bent #1 & Bent #2)

LOADING HS20-44

Allow 25#/sq. ft. for future wearing surface

SEISMIC DATA

Seismic Performance Category (SPC) = A
 Bedrock Acceleration Coefficient (A) = 7.1%
 Site Coefficient (S) =

DESIGN SPECIFICATIONS

2002 AASHTO Standard Specifications - 17th ed.

WATERWAY INFORMATION

Drainage Area = 6.1 Sq. Mi.		Low Grade Elev. = 521.3 @ Sta. 4+00							
Flood	Freq. Yr.	Q ft ³ /s	Opening ft ²		Nat. H.W.E.	Head - ft		Headwater	
Design	15	975	Exist.	Prop.	515.7	Exist.	Prop.	Exist.	Prop.
Base	100	1680	212	509	517.4	0.30	0.00	517.7	517.4
Overtopping									
Max. Calc.	500								