



SCHEDULE OF QUANTITIES

TEMPORARY CONCRETE BARRIER			
STATION	TO	STATION	FEET
1581+80		1582+80	100
			TOTAL 100

RELOCATE TEMPORARY CONCRETE BARRIER			
STATION	TO	STATION	FEET
1580+30		1581+80	150
1582+80		1584+30	150
			TOTAL 300

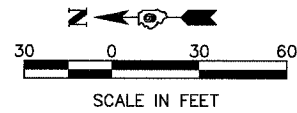
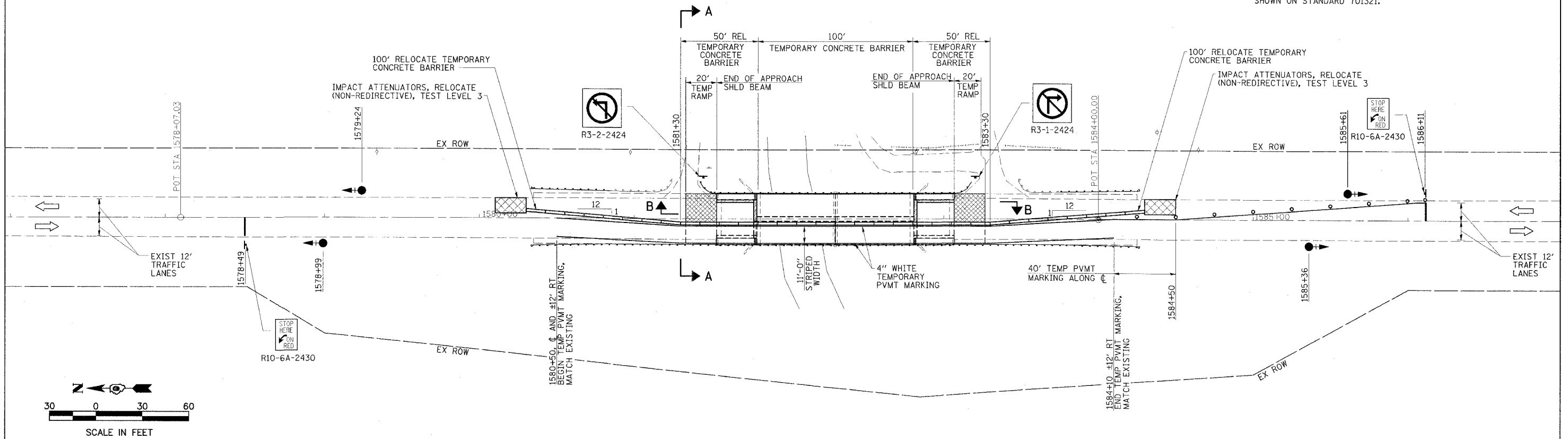
IMPACT ATTENUATORS, RELOCATE
(NON-REDIRECTIVE), TEST LEVEL 3 - 2 EACH

CONTRACT NO. 98996

FAP RTE	SECTION	COUNTY	TOTAL SHEETS	SHEET NO.
869	(105A)BR-1	SALINE	44	8
STA. 1577+00		TO STA. 1587+00		
FED. ROAD DIST. NO.	ILLINOIS	FED. AID PROJECT		

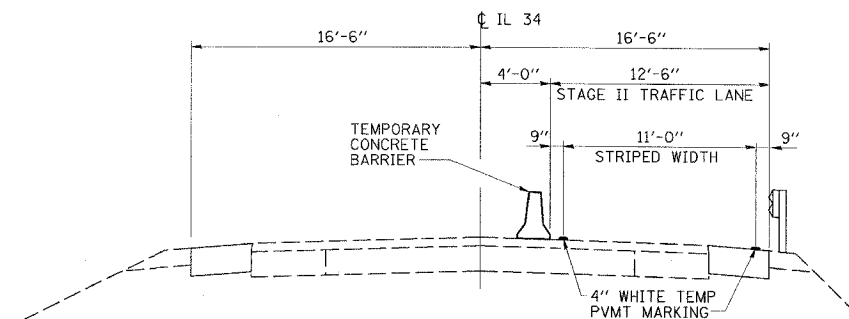
GENERAL NOTES

- TRAFFIC CONTROL SHALL BE ERECTED AS SHOWN AND ACCORDING TO "TRAFFIC CONTROL AND PROTECTION, STANDARD 701321."
- SEE SPECIAL PROVISIONS FOR ADDITIONAL TRAFFIC CONTROL REQUIREMENTS.
- COORDINATE LOCATION OF SIGNALS WITH FINAL WORK AS DIRECTED BY THE ENGINEER.
- CONSTRUCT TEMPORARY RUMBLE STRIPS AT LOCATIONS SHOWN ON STANDARD 701321.

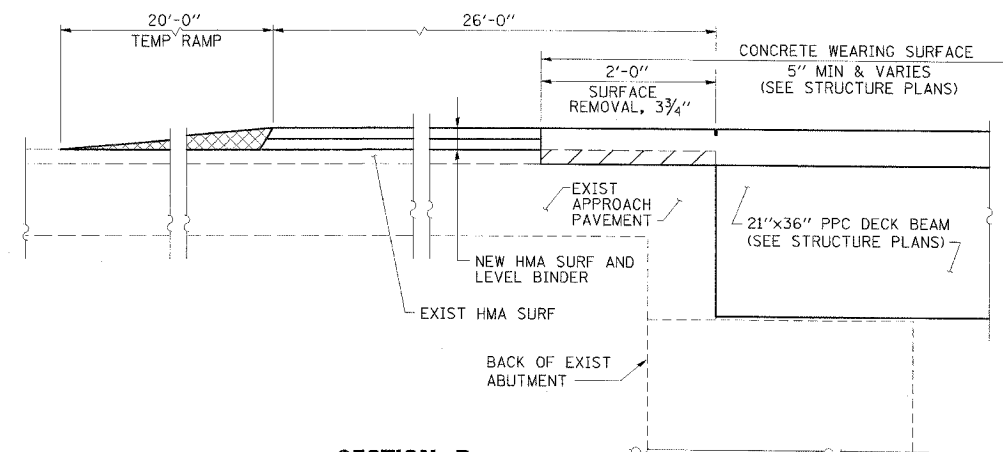


LEGEND

- TRAFFIC SIGNAL WITH BACKPLATE
SIGNAL DIRECTION INDICATED
- TEMPORARY RAMP
- PAVEMENT REMOVAL
- HMA SURFACE REMOVAL, 3 3/4"



SECTION A-A



SECTION B

ESCA
CONSULTANTS, INC.

DESIGNED BY:	JMS/MTD	02/07
DRAWN BY:	KAH/DWH	02/07
CHECKED BY:	MTD	02/07
APPROVED BY:	RDP	04/07

STAGE II CONSTRUCTION
FAP RTE 869 (IL 34)
SECTION (105A)BR-1
SALINE COUNTY

PLOT DATE = 04/07
FILE NAME = 1577-1587
PLOT SCALE = 1/8\"/>