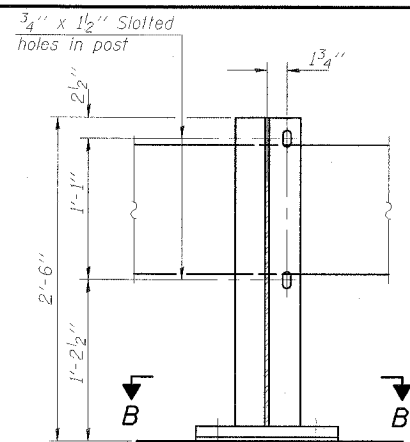
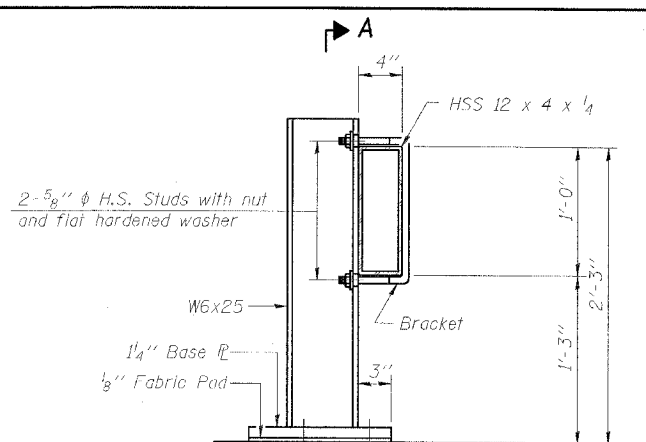


STATE OF ILLINOIS
DEPARTMENT OF TRANSPORTATION

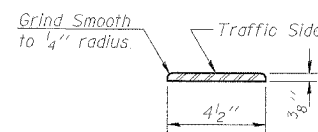
ROUTE NO.	SECTION	COUNTY	SHEET	SHEET NO.
FAP 869	*	SALINE	44	15
FED. ROAD DIST. NO.	ILLINOIS	FED. AID PROJECT		
98996		(105A)BR-1		



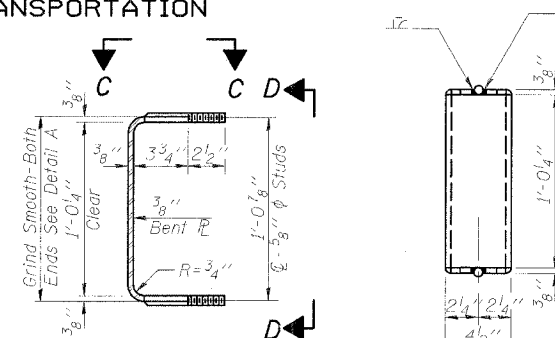
SECTION A-A



SECTION AT RAIL POST

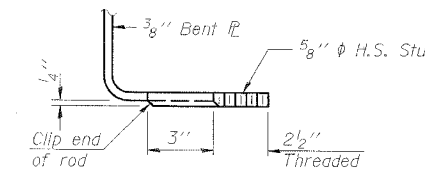


DETAIL A

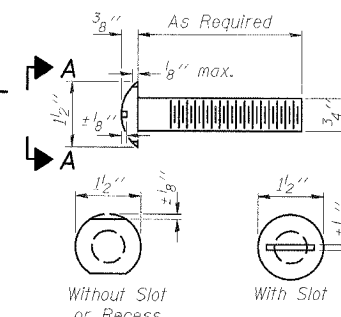


SECTION THRU BRACKET

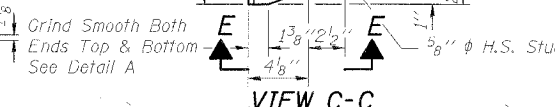
VIEW D-D



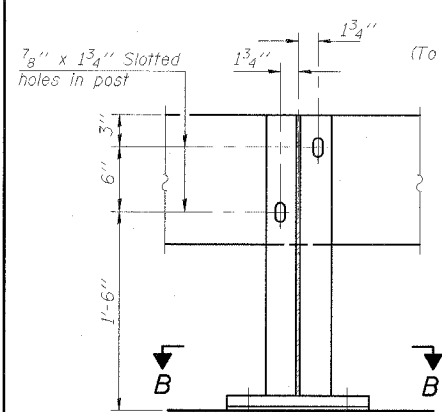
VIEW E-E



VIEW A-A
ROUND HEAD BOLT

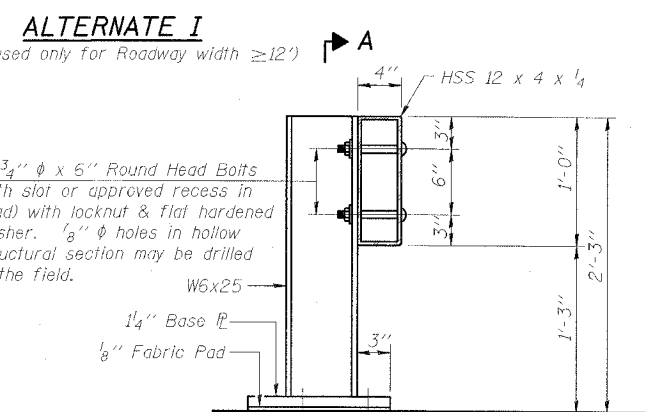


VIEW C-C



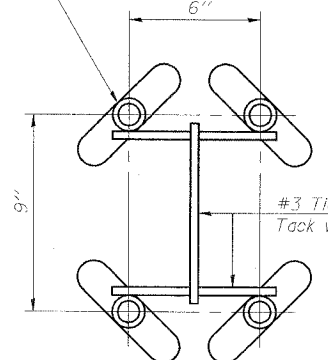
SECTION A-A

ALTERNATE I
(To be used only for Roadway width $\geq 12'$)

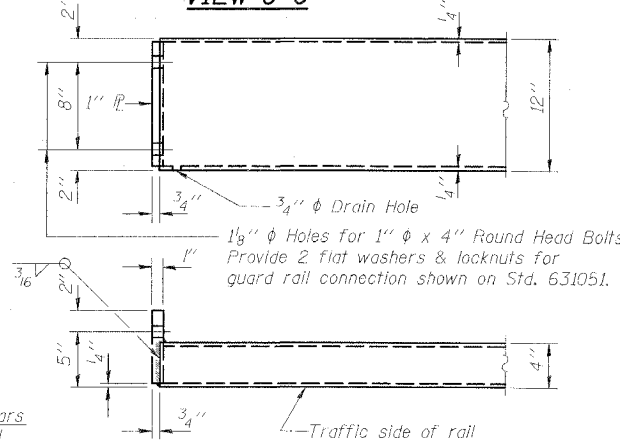


SECTION AT RAIL POST

1" ϕ Flared thin slab ferrule insert. Electroplated according to ASTM B 633 Service Condition 4.

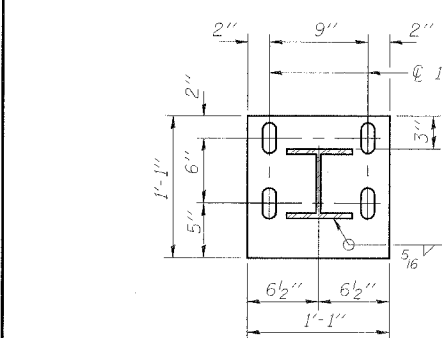


INSERT DETAIL



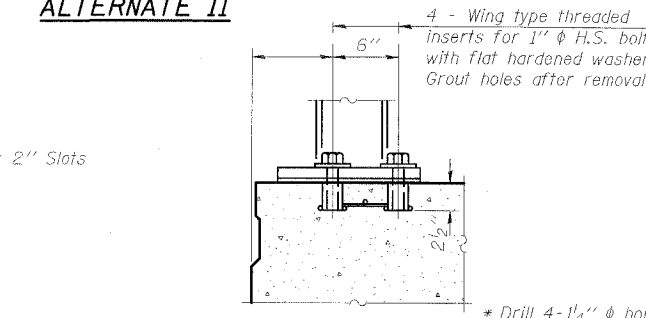
END OF RAIL DETAILS

Notes:
See sheet 3 of 17 for Rail Post spacing.
The contact surfaces between post flange, rail and inside face of bracket for Alternate I shall be free of all lubricants.
The nut for 5/8" ϕ high strength studs used in Alternate I to connect bracket to post shall be tightened to a snug fit and given an additional one half turn.



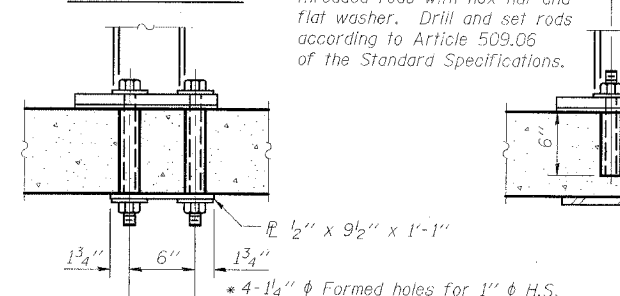
SECTION B-B

ALTERNATE II

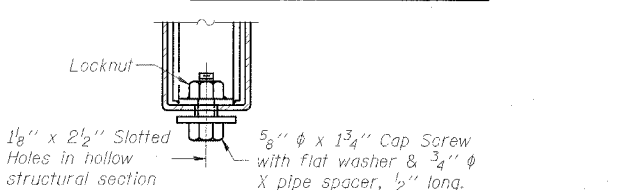


P.P.C. DECK BEAMS

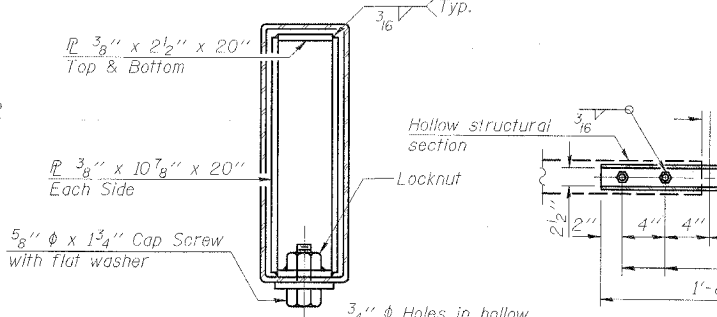
* Drill 4-1 1/4" ϕ holes for 1" ϕ threaded rods with hex nut and flat washer. Drill and set rods according to Article 509.06 of the Standard Specifications.



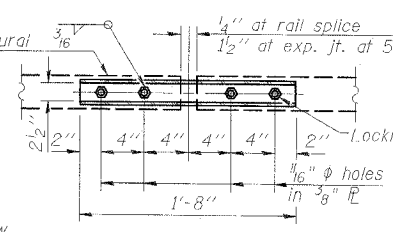
NEW & EXISTING DECKS
ANCHORAGE DETAILS



RAIL SPLICE CONNECTION
AT EXPANSION JT.



SECTION AT RAIL SPLICE



PLAN-BOTT. SPLICE TYPICAL

BILL OF MATERIAL

Item	Unit	Quantity
Steel Railing (Temporary)	Foot	102

STEEL RAILING (TEMPORARY)
IL 34 OVER BANKSTON CREEK
FAP ROUTE 869 - SECTION (105A)BR-1
SALINE COUNTY
STATION 1582+30.00
STRUCTURE NO. 083-0040

ESCA
CONSULTANTS, INC.

DESIGNED BY: RDP 02/07
DRAWN BY: DWH 02/07
CHECKED BY: JMS/MTD 02/07
APPROVED BY: RDP 04/07