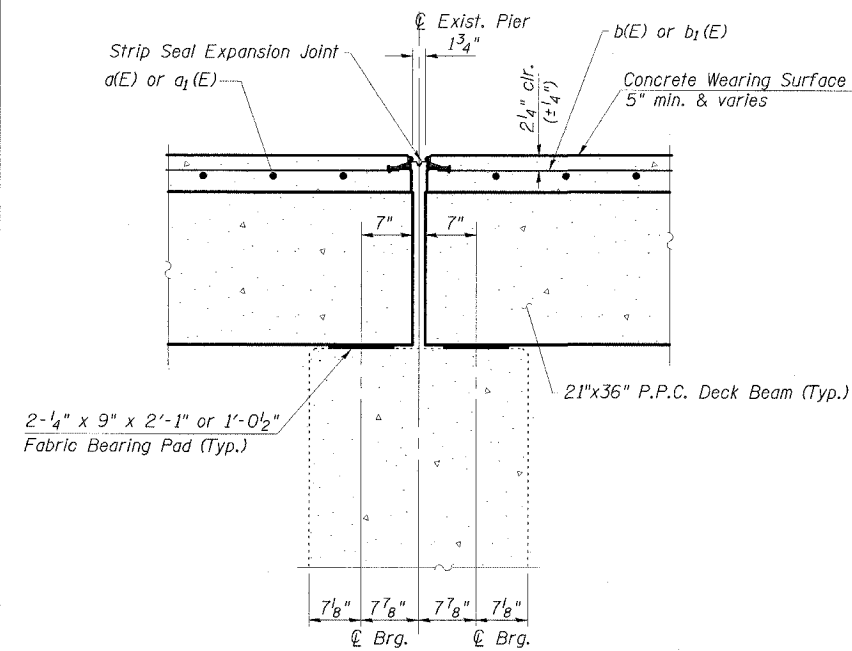
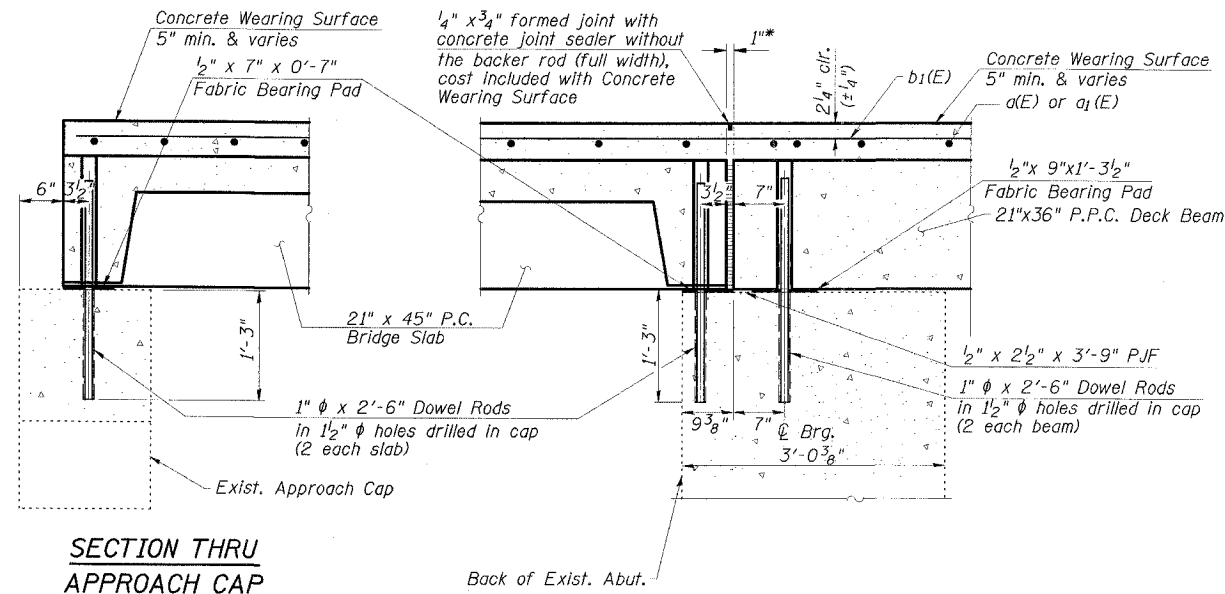


STATE OF ILLINOIS
DEPARTMENT OF TRANSPORTATION

MILE NO.	SECTION	COUNTY	DATE	SHEET NO.	SHEET NO. 9 17 SHEETS
FAP 869	*	SALINE	44	20	
FED. ROAD DIST. NO.	ILLINOIS	FED. AID PROJECT-			
98996		(105A)BR-1			



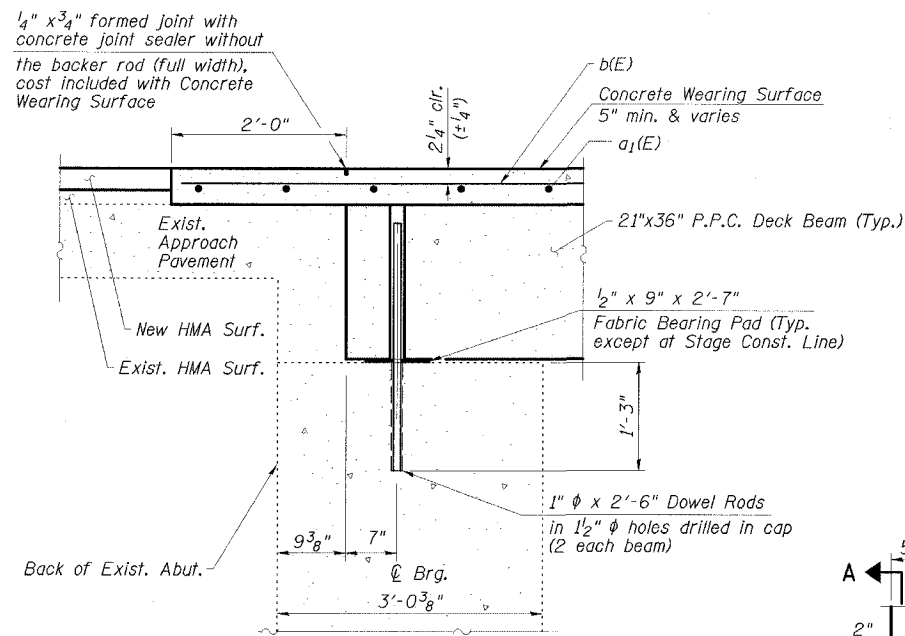
SECTION THRU PIER



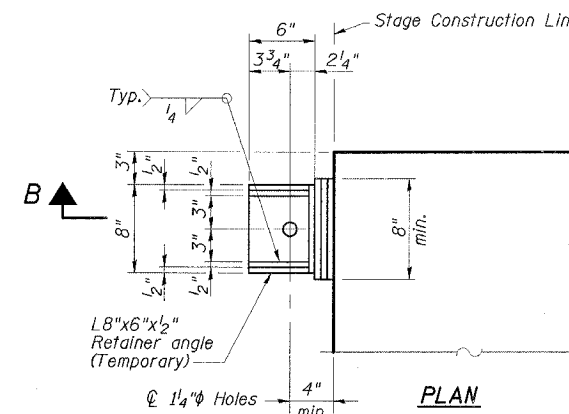
SECTION THRU
APPROACH CAP

SECTION THRU ABUTMENT
OUTSIDE BEAM

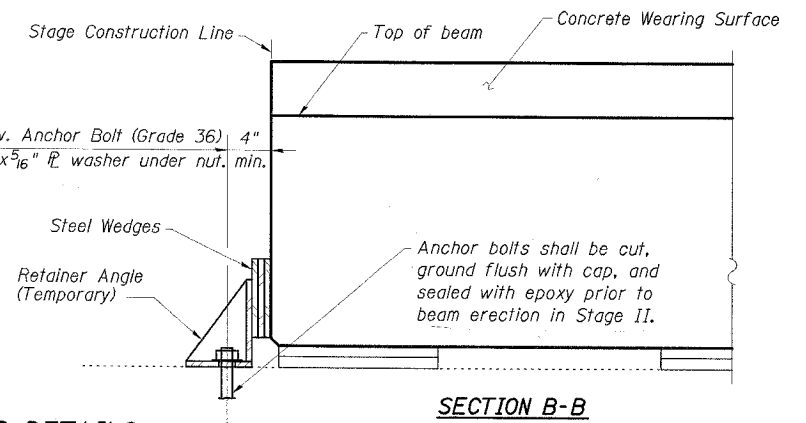
* 1" joint shall be filled w/non-shrink grout, 1" dimension may vary to accommodate variation in beam lengths



SECTION THRU ABUTMENT @ RDWY.

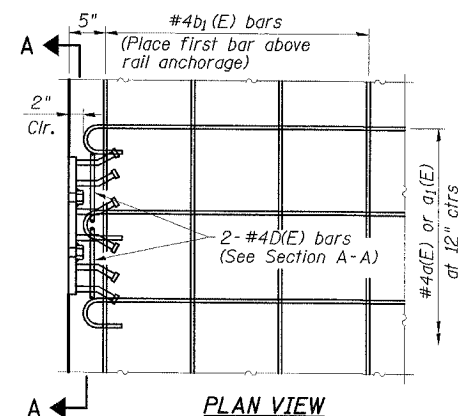


BEAM RETAINER DETAILS
AT STAGE CONSTRUCTION LINE
(2 Required)

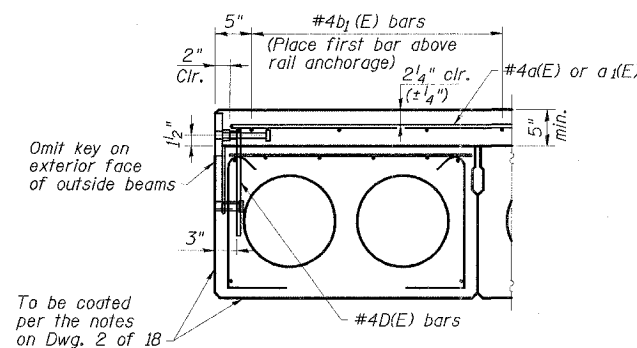


SECTION B-B

Cost of Retainer Angles, Anchor Bolts & accessories is included with Precast Prestressed Concrete Deck Beams.

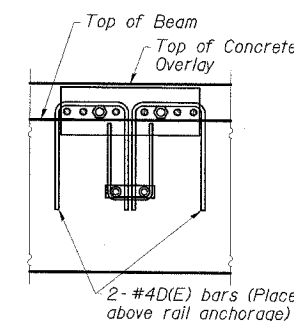


PLAN VIEW

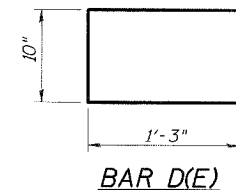


FASCIA BEAM CROSS SECTION

See Typical Section on Dwg. 7 of 17 for strand pattern, dimensions and bar call outs.



SECTION A-A



BAR D(E)

CONCRETE OVERLAY MODIFICATIONS FOR RAIL ANCHORAGE
(Bridge shown, Approach similar)

NOTES

After beams have been erected, holes shall be drilled into substructure and dowel rods placed. Dowel holes shall be filled with non-shrink grout to top of beam and allowed to cure min. 24 hrs. prior to grouting the shear keys.

Concrete wearing surface to be poured after grouting the shear keys.

Dowel rods drilled in cap are included in the cost of Precast Prestressed Concrete Deck Beams (21" depth) or Precast Concrete Bridge Slabs.

The rail anchorage shall be cast with the beam or slab and the wearing surface shall be cast in the field. Formwork necessary for the wearing surface may be secured utilizing the bottom rail anchorage inserts and/or additional inserts cast into the beam or slab. Drilling into the beam or slab will not be permitted.

Anchor bolts shall be ASTM F1554 all-thread (or an Engineer-approved alternate material) of the grade(s) and diameter(s) specified. ASTM A307 Grade C anchor bolts may be used in lieu of ASTM F1554 Grade 36 (Fy=36ksi). The corresponding specified grade of AASHTO M314 anchor bolts may be used in lieu of ASTM F1554.

Anchor bolts for side retainers may be cast in place or installed in holes drilled before or after members are in place.

Drilled and set anchor bolts shall be installed according to Article 521.06 of the Standard Specifications.

ESCA
CONSULTANTS, INC.

DESIGNED BY:	RDP	02/07
DRAWN BY:	DWH	02/07
CHECKED BY:	JMS/MTD	02/07
APPROVED BY:	RDP	04/07

SUPERSTRUCTURE AND APPROACH DETAILS
IL 34 OVER BANKSTON CREEK
FAP ROUTE 869 - SECTION (105A)BR-1
SALINE COUNTY
STATION 1582+30.00
STRUCTURE NO. 083-0040